

Accuride®

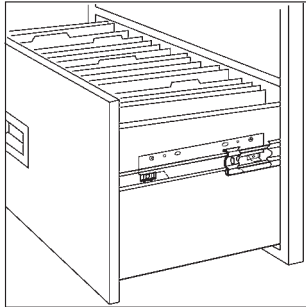
MODEL 3640-A **BHMA** CERTIFIED

Heavy Duty Over Travel Slide
200 lb. [91 kg.] Capacity
Side Mount*
75 lb. [34 kg.] Capacity
Under/Flat Mount**
32 mm System

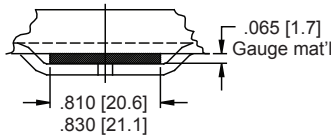
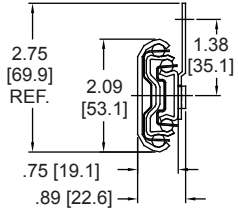
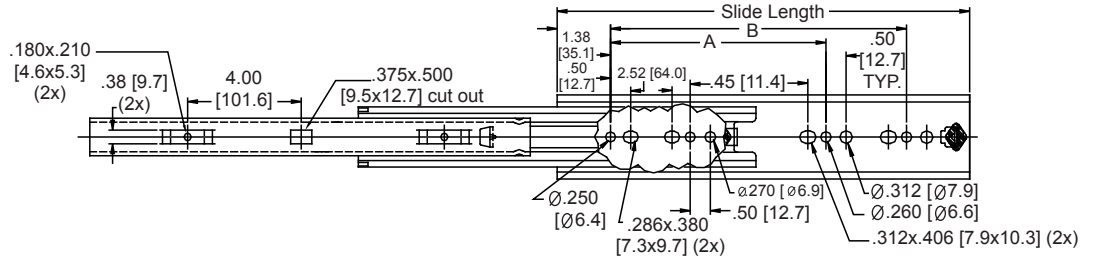
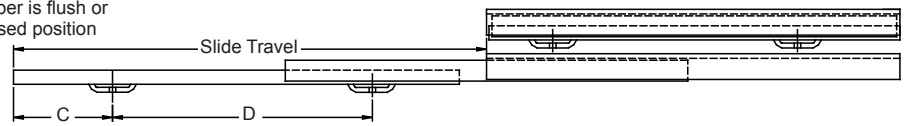
APPLICATIONS: Use in large storage drawers, store fixtures, and lateral files up to 42" [1067 mm] wide. Model 3640-A can be side and under/flat mounted. **This product is covered by U.S. and various foreign patents issued and/or pending.**

3640-A QUICK REFERENCE

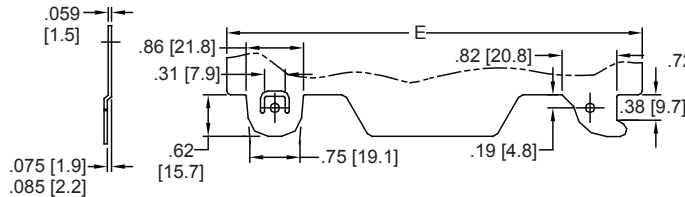
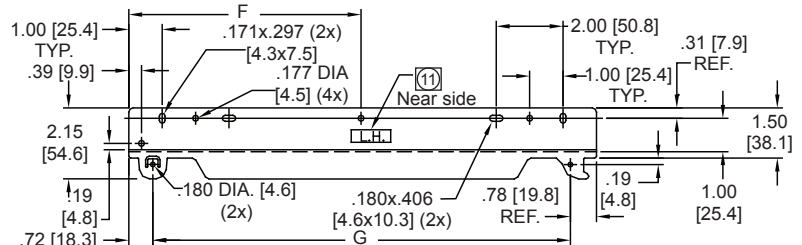
Side Space: .89" +.030/-0.00
Lengths: 12"-28"
Overall Slide Dimensions: 2.09" x .89"
Minimum Drawer Height:
Side Mount: 2.75"
Under/Flat Mount: N/A
Load Rating:
Side Mount: 200 lbs*
Under/Flat Mount: 75 lbs**



Drawer member is flush or under in closed position



Handed Rail



INCHES
[mm]

- Finish** Clear electro-zinc (C) or black zinc (CB) plating available•
- Even Lengths** 12"-28" [305 mm-711 mm]
- Height** Under/flat mount-.89" [22.6 mm]
Side mount-2.09" [53.1 mm]
- Travel** Length + 1" [25.4 mm] over travel
- Load Rating** Side mount: 200 lbs. [91 kg] at 18" [457 mm] *
Under/flat mount: 75 lbs. [34 kg] at 16" [406 mm] **
- Side space** .89" +.030/-0.00 [22.6 mm +.8/-0]
- Mounting** Handed rail - Side mount --or-- Under/flat mount
- Hardware** Cabinet members: #10 mm X 82° flat head or 6 mm X 10 mm Euro screw. Drawer members: #8 screws.
- Disconnect** Handed rail lift off
- Features** Telescopic movement, silenced open and closed, detent closed, handed mounting rail

Part Number	Slide Length	Slide Travel	A	B	C	D
3640-A12	12.00 [305]	13.00 [330]	8.82 [224]	-	1.00 [25.4]	8.50 [215.9]
3640-A14	14.00 [356]	15.00 [381]	8.82 [224]	-	1.00 [25.4]	8.50 [215.9]
3640-A16	16.00 [406]	17.00 [432]	8.82 [224]	12.60 [320]	1.00 [25.4]	8.50 [215.9]
3640-A18	18.00 [457]	19.00 [483]	8.82 [224]	13.86 [352]	1.50 [38.1]	10.50 [266.7]
3640-A20	20.00 [508]	21.00 [533]	8.82 [224]	16.38 [416]	1.50 [38.1]	10.50 [266.7]
3640-A22	22.00 [559]	23.00 [584]	12.60 [320]	16.38 [416]	2.00 [50.8]	12.50 [317.5]
3640-A24	24.00 [610]	25.00 [635]	12.60 [320]	18.90 [480]	2.00 [50.8]	12.50 [317.5]
3640-A26	26.00 [660]	27.00 [686]	12.60 [320]	21.42 [544]	2.50 [63.5]	15.50 [393.7]
3640-A28	28.00 [711]	29.00 [737]	12.60 [320]	23.94 [608]	2.50 [63.5]	15.50 [393.7]

Slide Length	Rail Part Number	E	F	G
12"-16"	5430-1216	10.00 [254.0]	-	8.50 [215.9]
18"-20"	5430-1720	12.00 [304.8]	-	10.50 [266.7]
22"-24"	5430-2124	14.00 [355.6]	7.00 [177.8]	12.50 [317.5]
26"-28"	5430-2528	17.00 [431.8]	8.50 [215.9]	15.50 [393.7]

* Load rating based on an 18" slide on a 42" wide drawer cycled 75,000 times.
** Based on an 16" slide on a 24" wide drawer cycled 50,000 times.
• Clear finish is RoHS compliant

Installation Instructions

Traditional Mounting

1. Install cabinet members using #10 X 82° flat head screws. Refer to Figure 1.1 for cabinet hole locations. Be sure slides are parallel. Install screws in second hole (horizontal slot) and rear-most horizontal slot.

NOTE: Due to the heavy load capability and limitations of screw retention in wood products, Accuride recommends the use of two #10 screws, 3/4" long, at the front of the cabinet member and at least one at the rear.

32 mm System

1. Install cabinet members using 6 mm X 10 mm Euro screws. Refer to Figure 1 for cabinet hole locations. Be sure slides are parallel.

Rail Installation to Drawer

1. Refer to Figure 2 for front and rear mounting rail hole locations and install screws through vertical slots.
2. Extend the slides fully forward. Mount drawer slide by lowering the rear rail tabs through the rear slide pocket. Lower drawer until front rail tabs snap into front pocket. See Figure 3.
3. Close drawer fully to locate horizontal position of slide in cabinet. Open drawer to install and tighten remaining screws (minimum 4 per slide*). Secure brackets after adjusting the drawer vertically (minimum of 3 per bracket) and tighten all screws.

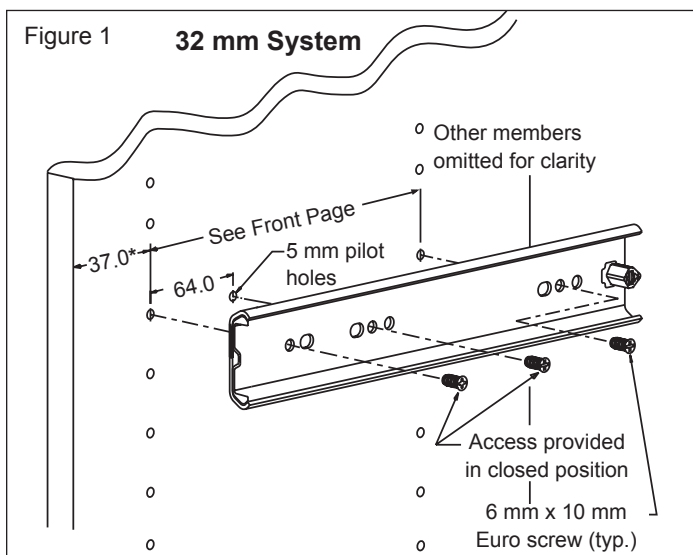
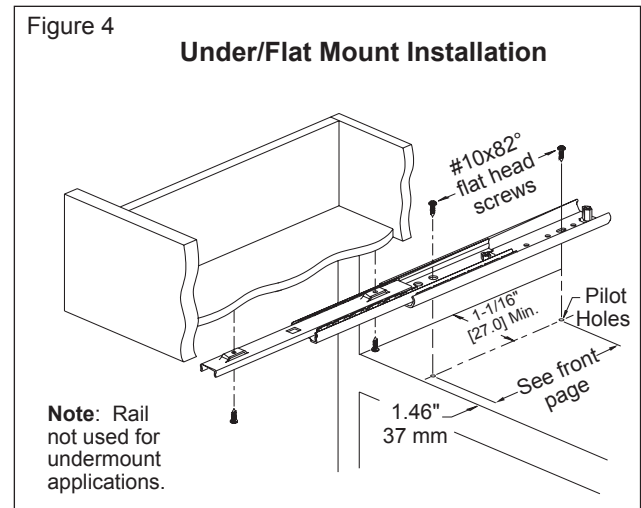
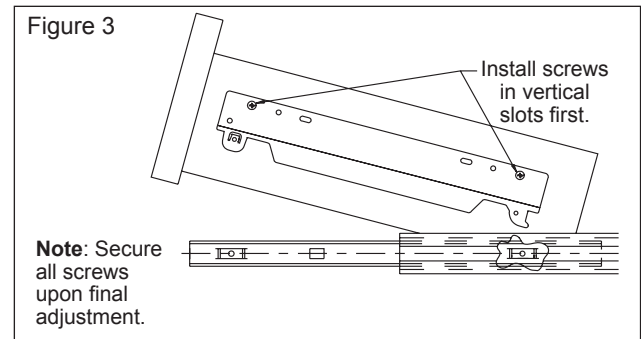
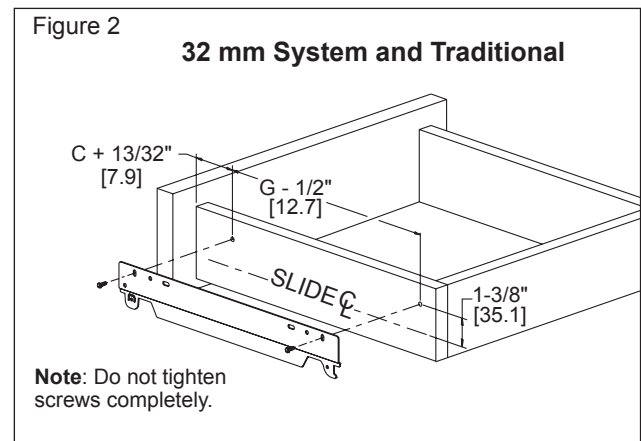
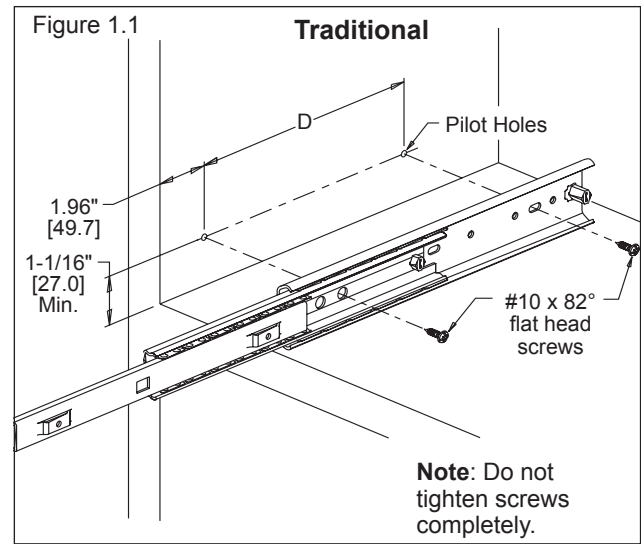
NOTE: To remove, lift drawer up and outward. Drawer can be permanently fixed to the slide using a screw through the front pocket hole.

NOTE: Due to the heavy load capability and limitations of screw retention in wood products, Accuride recommends using the longest #10 screws possible (customer supplied) for the thickness of the cabinet walls.

Under/Flat Mount Installation

1. Locate large slide members on cabinet floor making sure slides are parallel. Secure in place. See Figure 4.
2. Position small slide members under drawer bottom 1/8" from the back of the drawer face (overlay drawer). Install #8 wood screws through slide mounting holes into the bottom of the drawer.

Minimum Screw Length = Drawer Bottom Thickness - 1/16"
(1/2" Drawer Bottom Thickness Minimum)



Slide Ordering Instructions

Complete your slide order for Accuride model 3640-A by specifying the following:

100 Pair C 3640 -A18 D

Total Slides Required _____
Slide Finish _____
Slide Model _____
Slide Length _____
Optional Polybag Packaging _____
(includes one pair slides, rails, screws)

Rails are handed. Order one left-hand rail and one right-hand rail for each pair of slides ordered. For rail part numbers, refer to the chart on front page.

Order handed rails by specifying the following:

50 each 5430-1720-CL (Left hand)
50 each 5430-1720-CR (Right hand)

Total Rails Required _____
Rail Part Number _____

Packaging Information

Distributor (D) Pack: Lengths 12"–22" packed 5 pair/box
Lengths 24"–28" packed 4 pair/box.

Bulk (P) Pack: Lengths 12"–20" are packed 7 pair/box.
Lengths 22"–28" are packed 5 pair/box.

Slides, rails, and screws are ordered and packaged separately.

Specifications

Slide members and ball retainers: Cold rolled steel

Ball bearings: Carburized steel

Clear finish is RoHS compliant.

NOTE: Specifications, materials, prices, terms, and delivery are subject to change without notice.

Accuride

ACCURIDE INTERNATIONAL INC.

12311 Shoemaker Avenue
Santa Fe Springs, CA 90670

TEL (562) 903-0200

FAX (562) 903-0208

www.accuride.com

Manufacturing, Engineering, and Sales

United States • Germany • Japan • Mexico • United Kingdom • China