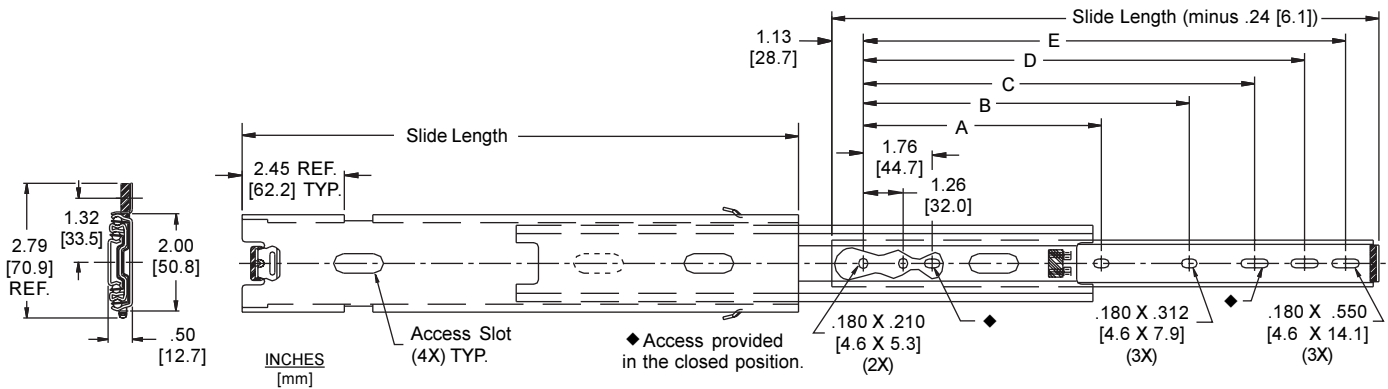
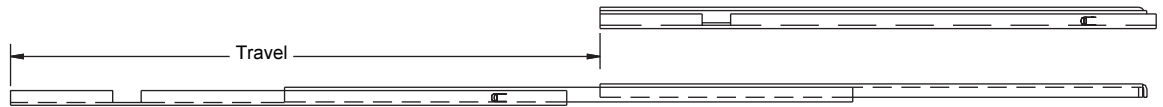
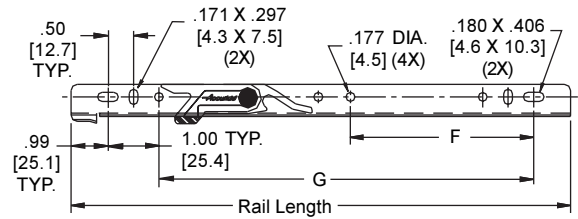
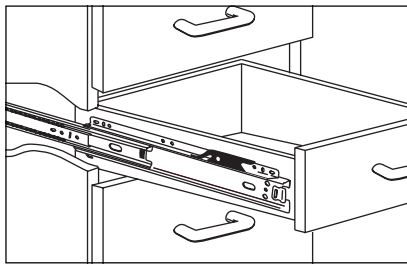


APPLICATIONS: Box and file drawers in wood and metal desks, credenzas, hotel, institutional furniture, and store fixtures on drawers 24" [610mm] wide or less. **This product is covered by U.S. and various foreign patents issued and/or pending.**

Rail Mounted, Full Extension Telescoping Slides, Medium Duty 100 lb. [45 kg.] Capacity



Finish Bright electro-zinc (C) or black zinc* (CB)

Movement Acetal polymer ball bearings

Length 12" to 28" [304.8mm - 711.2mm]

Disconnect Rail lift off

Height 2.79" [70.9mm] (including rail and rail hook)

Features Positive stop, detent-in, silenced in and out stops, heavy duty handed rail for wide or deep drawers, access holes for closed position mounting.

Load 100 lbs. [45 kg.] per pair**

Side Space .50" +.030 / -.000 [12.7mm +0.8 / -0.0]

Travel Over travel

Mounting Side mount only

Hardware #8 pan head screws

| Handed Rail | | | | |
|---------------------------|-------------------|---------------|--------------|---------------|
| Heavy Duty Handed Rail | Fits Slide Length | Rail Length | F | G |
| 7555-1214-CL 7555-1214-CR | 12" - 14" | 10.54 [267.7] | 4.00 [101.6] | 7.56 [192.0] |
| 7555-1518-CL 7555-1518-CR | 15" - 18" | 13.06 [331.7] | 4.00 [101.6] | 10.08 [256.0] |
| 7555-1921-CL 7555-1921-CR | 19" - 21" | 16.84 [427.7] | 4.00 [101.6] | 13.86 [352.0] |
| 7555-2225-CL 7555-2225-CR | 22" - 25" | 20.62 [523.7] | 7.00 [177.8] | 17.64 [448.1] |
| 7555-2628-CL 7555-2628-CR | 26" - 28" | 24.40 [619.8] | 7.00 [177.8] | 21.42 [544.1] |

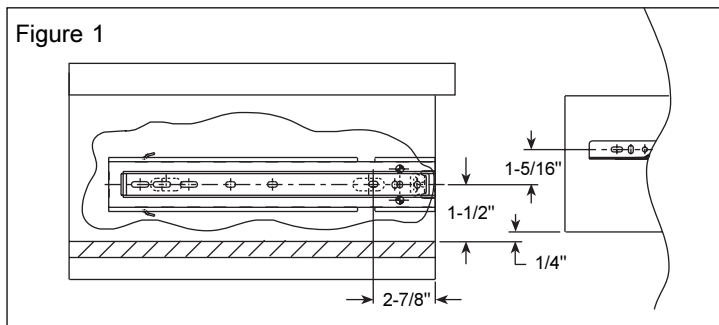
| Slide Length | Travel | A | B | C | D | E |
|--------------|---------------|---------------|---------------|-----------------|-----------------|-----------------|
| 12.00 | 13.00 [330.2] | | 6.00 [152.4] | 8.10 [205.7] | 9.05 ‡ [229.9] | 9.87 [250.7] |
| 14.00 | 15.00 [381.0] | | 8.00 [203.2] | 10.10 ‡ [256.5] | 11.05 [280.7] | 11.87 [301.5] |
| 16.00 | 17.00 [431.8] | | 10.00 [254.0] | 12.10 [307.3] | 13.05 [331.5] | 13.87 ‡ [352.3] |
| 18.00 | 19.00 [482.6] | 10.00 [254.0] | 12.00 [304.8] | 14.10 [358.1] | 15.05 [382.3] | 15.87 [403.1] |
| 20.00 | 21.00 [533.4] | 11.00 [279.4] | 14.00 [355.6] | 16.10 [408.9] | 17.05 [433.1] | 17.87 ‡ [453.9] |
| 22.00 | 23.00 [584.2] | 12.00 [304.8] | 16.00 [406.4] | 18.10 [459.7] | 19.05 ‡ [483.9] | 19.87 [504.7] |
| 24.00 | 25.00 [635.0] | 13.00 [330.2] | 18.00 [457.2] | 20.10 ‡ [510.5] | 21.05 [534.7] | 21.87 [555.5] |
| 26.00 | 27.00 [685.8] | 14.00 [355.6] | 20.00 [508.0] | 22.10 [561.3] | 23.05 [585.5] | 23.87 ‡ [606.3] |
| 28.00 | 29.00 [736.6] | 15.00 [381.0] | 22.00 [558.8] | 24.10 ‡ [612.1] | 25.05 [636.3] | 25.87 [657.1] |

‡ Holes spaced in 32mm increments. * Minimum order quantities may apply.

**Load rating based on 18" slides in a 24" wide drawer cycled 75,000 times.

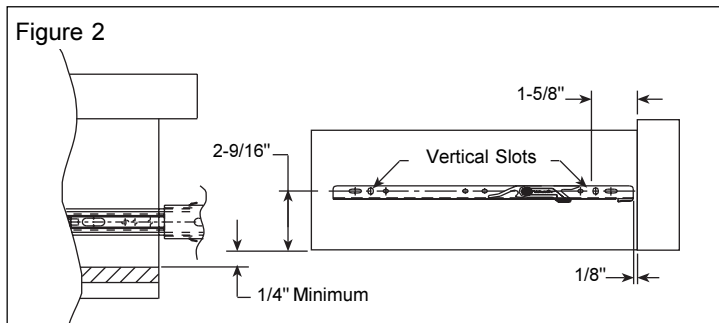
Mounting Slides to Cabinet

1. For drawers with overlapping front panels, position the slide in the cabinet so that the front of the slide cabinet member is flush with the cabinet face. For drawers with recessed front panels, position the slide so that the front of the slide cabinet is located 1/8" behind the rear of the drawer face when the drawer is in the closed position. See Figure 2.
2. Locate the slide cabinet member centerline 1-1/2" minimum above the bottom of the drawer opening and install #8 pan head screws in the horizontal slots at the front and rear of the slide member. See Figure 1.
3. Install the balance of the screws in the slide mounting holes after the final fitting of the drawer in the cabinet.



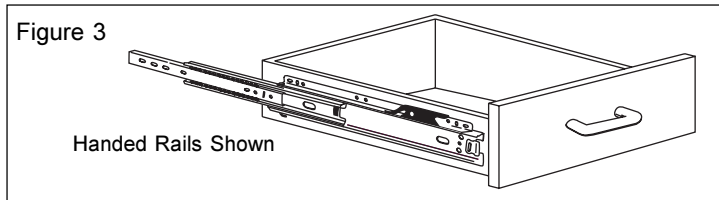
Mounting Rails to Drawer Slides

1. Position the front edge of the rails 1/8" behind the rear of the drawer face and insert the mounting screws in the vertical slots 2-9/16" above the bottom of the drawer opening. See Figure 2. The distance from the center line of the slide to the center line of the rail is 1-5/16". See Figure 1.
2. Install the balance of the screws after the final fitting of the drawer in the cabinet.



Installing Drawer

1. Lower the drawer onto the extended slides so that the rails on the drawer extend approximately 1" outward, beyond the slides.
2. Pull both slides forward until each spring loaded rail latch locks securely into each slide. See Figure 3.



Final Fitting of Drawers to Cabinet

1. Adjust the vertical height of each drawer by raising or lowering the rails on each side of the drawer by means of the screws in the vertical slots.
2. When the vertical position is correct, install the balance of the screws to lock the rails in the correct position.
3. Adjust the horizontal position of the drawers by moving the slides forward or backward in the horizontal slots of the slide cabinet member. When the drawer faces are in line, install the balance of the screws in the remaining holes to lock the slides in the correct position.

Important: For maximum slide load capacity, install screws in *all* available mounting holes.

Packaging

Distributor (D) Pack: Polybag packaging includes 1 pair of slides, handed rails, and mounting screws.

Lengths 12" - 18" 10 pair per box
 Lengths 20" - 28" 5 pair per box

Bulk Pack: Left hand slides, right hand slides, and rails are packed in separate boxes.

Lengths 12" - 20" 20 each per box
 Lengths 22" - 28" 10 each per box

X-Pack (X): Slides, rails, and screws packaged in one box (without polybag).

Lengths 12" - 18" 10 pair per box
 Lengths 20" - 28" 5 pair per box

Slide Ordering Instructions

Complete your slide order for Accuride model 3017 by specifying the following:

100 Pair C 3017 -14 D

Total Slides Required _____

Slide Finish _____

Slide Model _____

Slide Length _____

Optional Polybag Packaging (Includes handed rails) _____

To order rails specify the following:

200 Each 7555 -1214 -CL

Total Rails Required _____

Rail Part Number _____

Fits Slide Lengths _____

Rail Finish/Rail Hand _____

(For Zinc finish specify "C". For Black finish specify "B".)
 (For Left hand rail specify "L". For Right hand rail specify "R".)

Specifica-

Slide members and ball retainers: Cold rolled steel
 Ball bearings: Acetal polymer

Note: Specifications, materials, prices, terms and delivery are subject to change without notice.



ACCURIDE INTERNATIONAL INC.

12311 Shoemaker Avenue
 Santa Fe Springs, CA 90670

TEL (562) 903-0200
 FAX (562) 903-0208
 www accuride.com

Manufacturing, Engineering, and Sales
 United States • Germany • Japan • Mexico • United Kingdom