

Accuride®

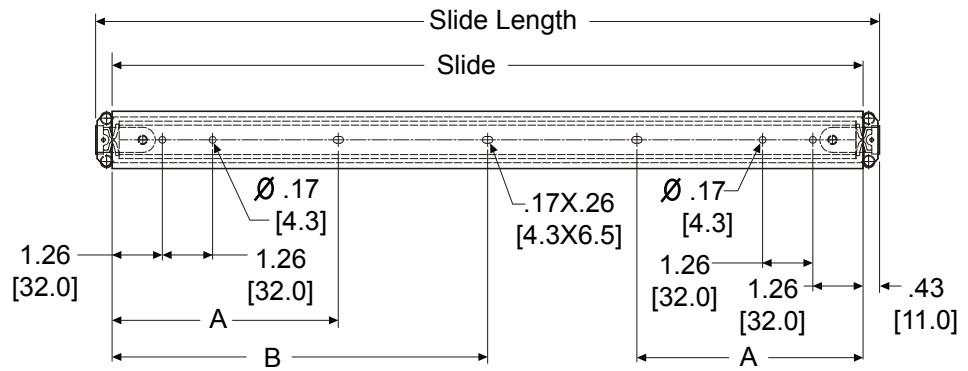
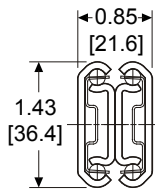
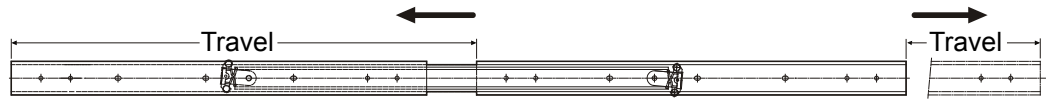
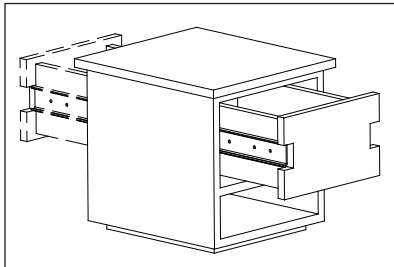
MODEL 0363

Two-Way Travel Slide
Full Extension
Up to 100 lb. [45 kg.] Load Capacity**

Applications: Kitchen islands, pass-through shelves, and medical carts. Use Model 0363 wherever full access is needed from both sides of the installation. **This product is covered by U.S. and various foreign patents issued and/or pending.**

0363 QUICK REFERENCE

Full Extension Two-Way Travel
Lengths: 16", 20", 24", and 28"
Load Rating: Up to 100 lbs [45 kg.]
Height: 1.43" [36.4]
Side Space: .85" [21.6]



INCHES
[mm]

- Finish** Bright electro-zinc (C) (RoHS Compliant)
- Length** 16", 20", 24", and 28"
[400 mm, 500 mm, 600 mm, 700 mm]
- Height** 1.43" [36.4 mm]
- Travel** Two-way travel, full extension
- Load** 100 lbs.** [45 kg] per pair
- Also** Center detent, non disconnect
- Hardware** Not included

Part Number	Slide Length	Slide	Travel	Travel X 2	A	B	Slide Weight	Load Rating
C0363-16	15.75 [400]	14.88 [378]	17.00 [432]	34.00 [864]	5.67 [144]	-	4.6 [2.08]	88 [40]
C0363-20	19.69 [500]	18.82 [478]	21.00 [532]	42.00 [1064]	5.67 [144]	-	5.8 [2.63]	100 [45]
C0363-24	23.62 [600]	22.76 [578]	25.00 [632]	50.00 [1264]	5.67 [144]	-	6.9 [3.14]	100 [45]
C0363-28	27.55 [700]	26.69 [678]	29.00 [732]	58.00 [1464]	6.93 [176]	13.35 [339]	8.1 [3.70]	88 [40]

** Load rating based on 80,000 cycles.

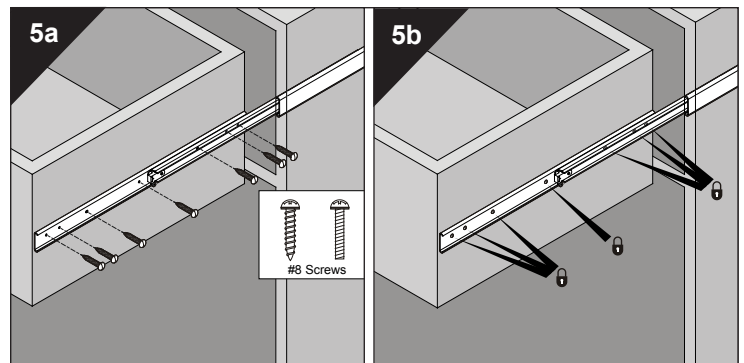
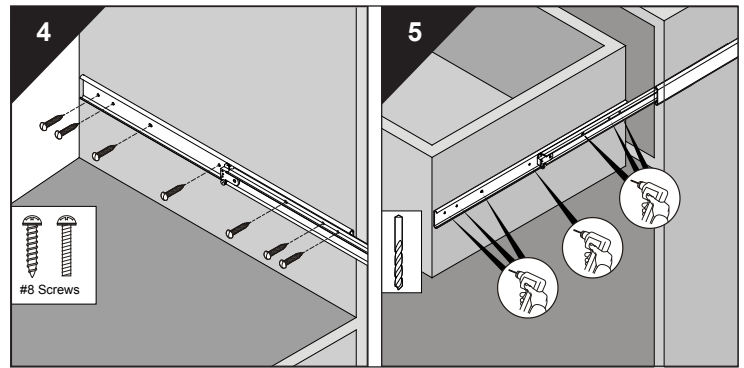
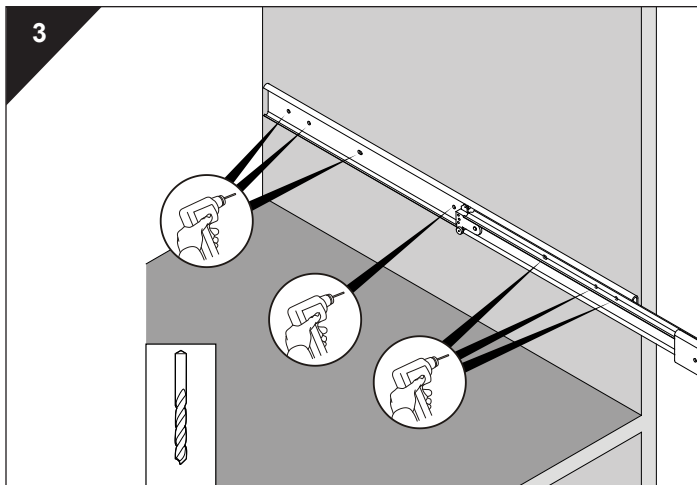
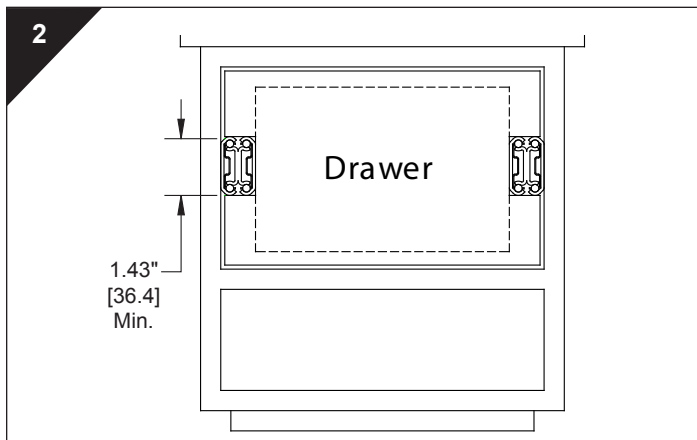
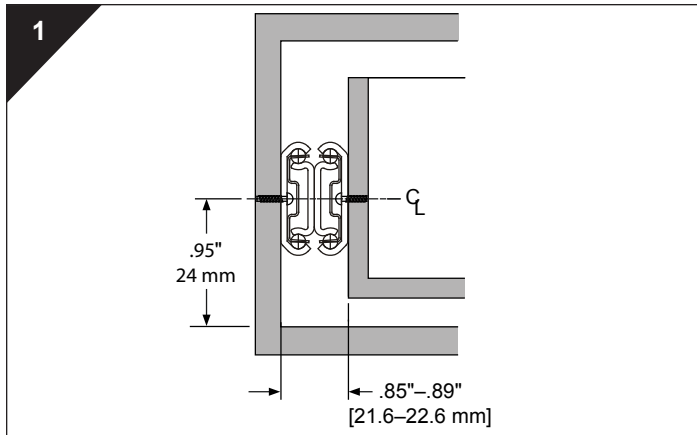
Mounting Instructions

NOTE: The centerline for the cabinet member holes should be a minimum of .95" [24 mm] from the bottom of the cabinet opening (figure 1).

1. Pre-drill the holes for the cabinet member (figure 3). Install the slide outer members (larger member) to the cabinet using #8 pan head screws (figure 4). Make sure slides are parallel.
2. Pre-drill holes for drawer member (figure 5). Install drawer member using #8 screws (not included). Do not tighten screws at this time. Cycle drawer at least twice in both directions to allow drawer to self adjust. Tighten all screws (See figure 5 and 5A). There should be no sign of stiffness or binding.

NOTE: If drawer fronts are required, they must be notched to clear the stationary member of the slide. See Figure 2.

For maximum load capacity use all mounting holes (figure 5b).



Slide Ordering Instructions

Complete your order for Accuride Model 0363 Two-Way Travel drawer slide by specifying the following:

Total Required Slides	_____	20 Pair	C	0363	-12	P
Slide Finish	_____					
Slide Model	_____					
Slide Length	_____					
Packaging	_____					

Packaging

Bulk (P) Pack: All lengths packaged 10 pair per box.
Hardware not included.

Specifications

Slide members and ball retainers: Cold rolled steel
Ball bearings: Carburized steel
RoHS Compliant

NOTE: Specifications, materials, prices, terms, and delivery are subject to change without notice.

Accuride

ACCURIDE INTERNATIONAL INC.

12311 Shoemaker Avenue
Santa Fe Springs, CA 90670

TEL (562) 903-0200
FAX (562) 903-0208
www accuride.com

Manufacturing, Engineering, and Sales
United States • Germany • Japan • Mexico • United Kingdom • China

Copyright © 2009 Accuride International Inc. 3700-9531(1220)-MK137-N-0909