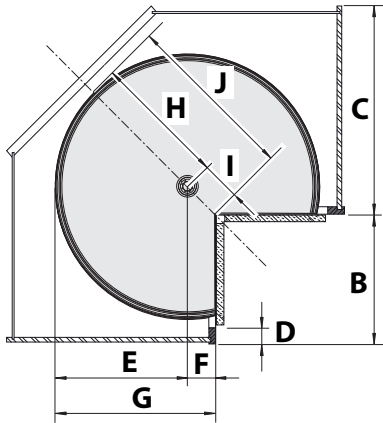
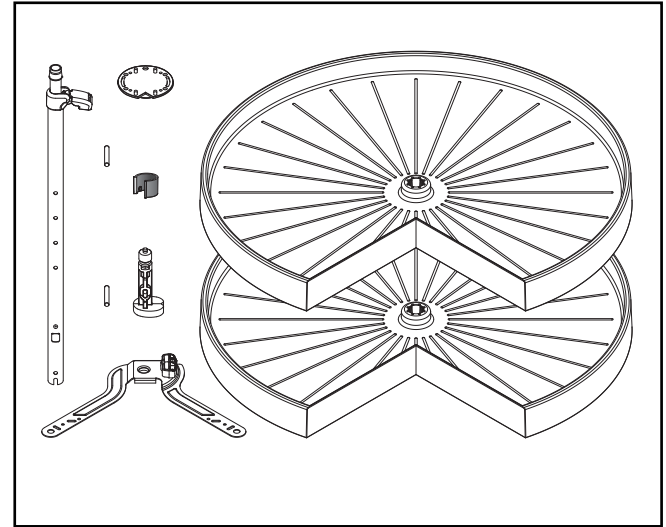
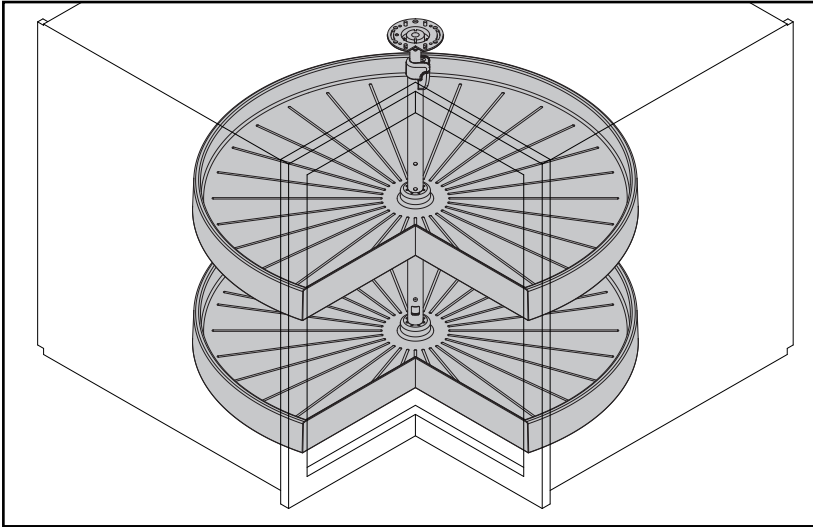


03 / 2014

# VSUSAN - Piecut



A	B	C	D max.	E	F	G	H	I	J	
33"	9"	24"	1 3/4"	18"	9 1/16"	1 3/8"	10 7/16"	9 1/16"	1 15/16"	11"
36"	12"	24"	1 3/4"	24"	11 13/16"	1 5/8"	13 7/16"	11 13/16"	2 5/16"	14 1/8"
36"	12"	24"	1 3/4"	28"	13 3/16"	3 9/16"	17 3/8"	13 13/16"	5 1/16"	18 7/8"

**1**

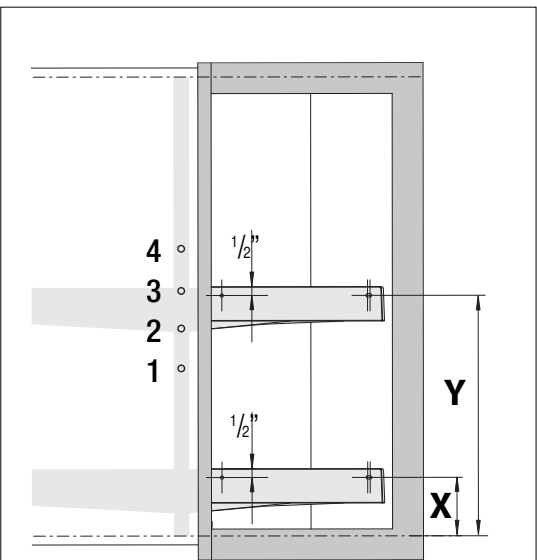
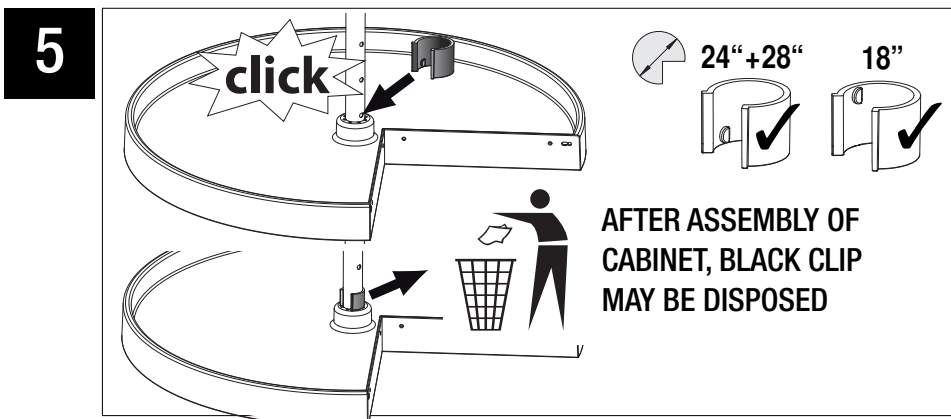
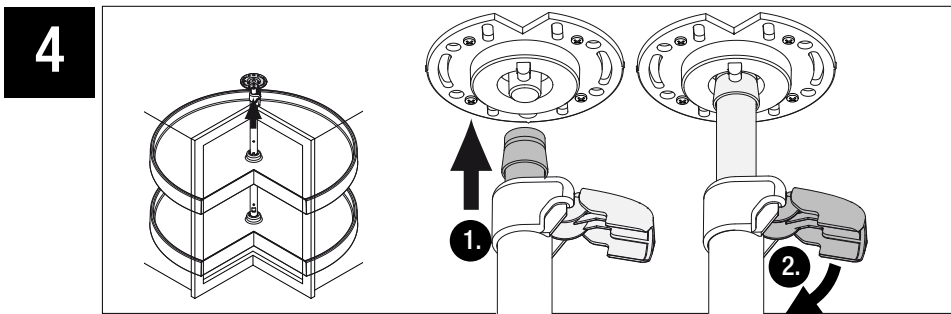
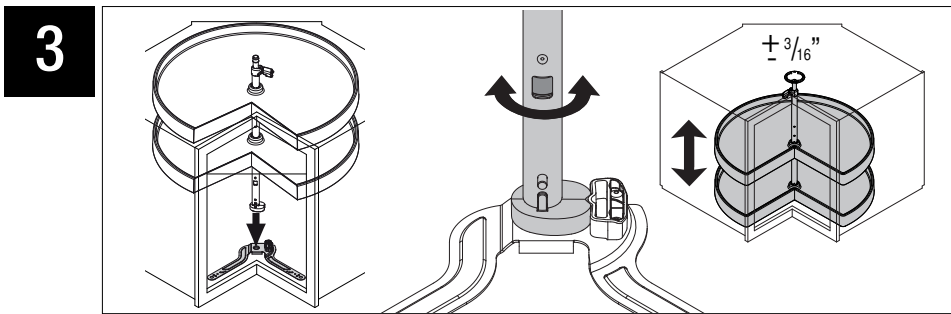
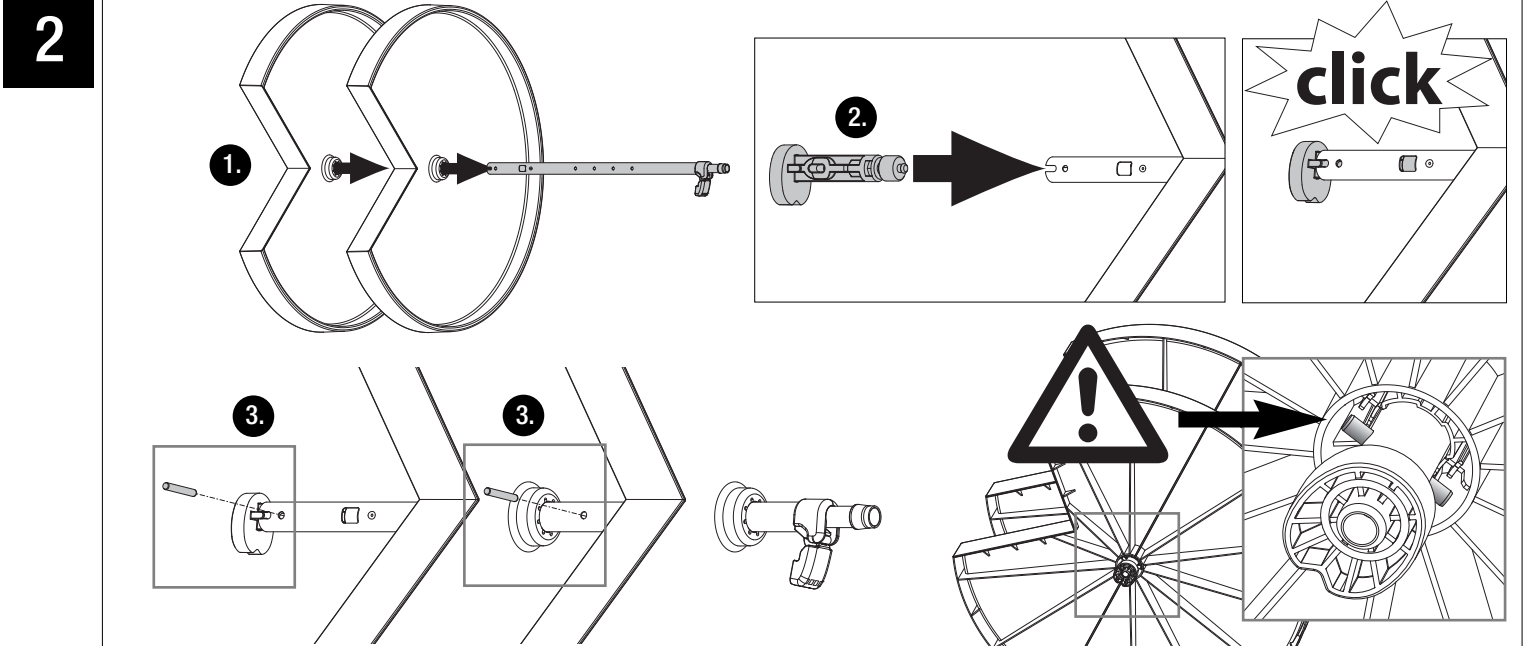
**4 x #8 x 5/8"**

**2 x #8 x 5/8"**

Ø	A	B
18"	1 11/32"	1 1/32"
24"	1 1/4"	1/4"
28"	3 3/16"	2 7/32"

Ø	A	B
18"	1 3/4"	3/4"
24"	1 5/8"	5/8"
28"	3 5/8"	2 5/8"



Ø	X	Y			
		1	2	3	4
18"	2 <sup>5</sup> / <sub>8</sub> "	11"	12 <sup>15</sup> / <sub>16</sub> "	14 <sup>15</sup> / <sub>16</sub> "	16 <sup>7</sup> / <sub>8</sub> "
24"	3 <sup>5</sup> / <sub>16</sub> "	11 <sup>5</sup> / <sub>8</sub> "	13 <sup>5</sup> / <sub>8</sub> "	15 <sup>9</sup> / <sub>16</sub> "	17 <sup>9</sup> / <sub>16</sub> "
28"	3 <sup>3</sup> / <sub>4</sub> "	12"	14"	15 <sup>15</sup> / <sub>16</sub> "	17 <sup>15</sup> / <sub>16</sub> "

**Vauth-Sagel USA LP**  
 Address 1821 Baker Road  
 High Point, NC 27263

**Phone** + | 336 861 0740  
**Toll free** + | 855 770 9121  
**Fax** + | 336 861 0741

**Email** support@vauth-sagel-usa.com  
**Web** www.vauth-sagel-usa.com