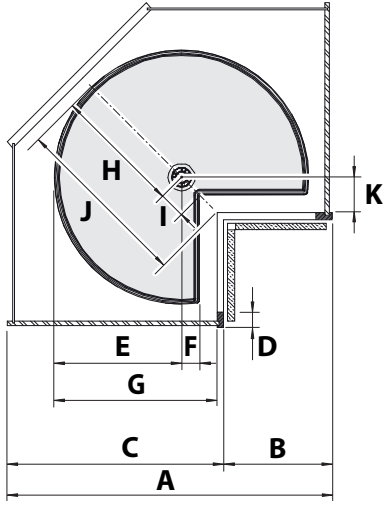
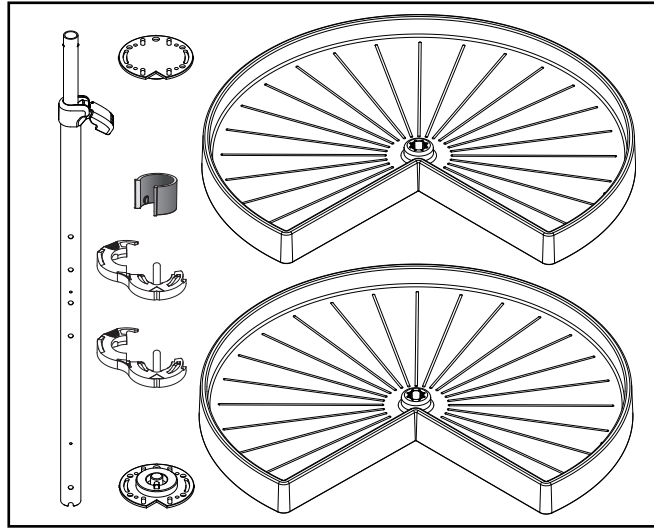
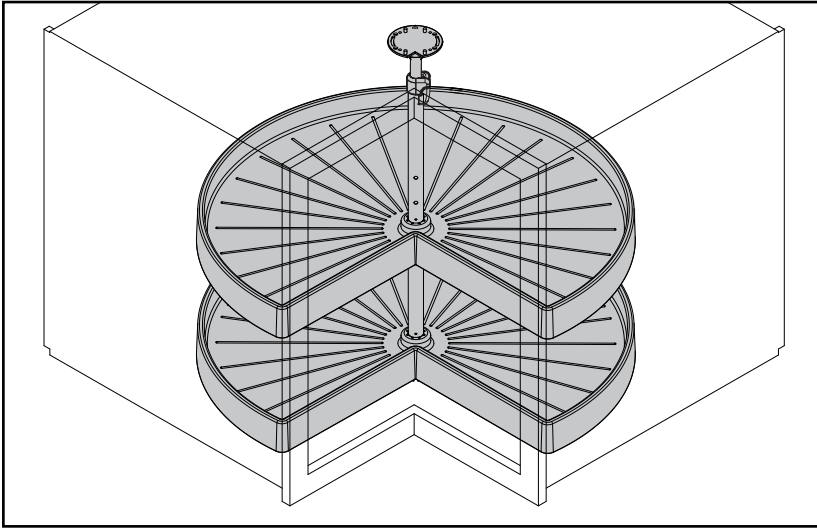


03 / 2014

VSUSAN - Kidney



A	B	C	D _{max.}		E	F	G	H	I	J	K
24"	12"	12"	1 ³ / ₄ "	18"	9 ¹ / ₁₆ "	1 ¹ / ₄ "	10 ¹ / ₁₆ "	9 ¹ / ₁₆ "	1 ¹⁵ / ₁₆ "	10 ¹ / ₂ "	1"
27"	12"	15"	1 ³ / ₄ "	24" large cut out	11 ¹³ / ₁₆ "	1 ⁹ / ₁₆ "	13 ⁵ / ₁₆ "	11 ¹³ / ₁₆ "	2 ³ / ₈ "	13 ¹⁵ / ₁₆ "	1 ¹ / ₂ "
33"	9"	24"	1 ³ / ₄ "	24" small cut out	11 ¹³ / ₁₆ "	3"	15 ¹³ / ₁₆ "	11 ¹³ / ₁₆ "	4 ³ / ₈ "	17 ⁷ / ₁₆ "	4"
36"	12"	24"	1 ³ / ₄ "	24" large cut out	11 ¹³ / ₁₆ "	1 ⁹ / ₁₆ "	13 ⁵ / ₁₆ "	11 ¹³ / ₁₆ "	2 ³ / ₈ "	13 ¹⁵ / ₁₆ "	1 ¹ / ₂ "
36"	12"	24"	1 ³ / ₄ "	28"	13 ³ / ₄ "	2"	17 ³ / ₈ "	13 ³ / ₄ "	2 ⁷ / ₈ "	16 ⁵ / ₈ "	3 ⁹ / ₁₆ "
39"	15"	24"	1 ³ / ₄ "	28"	13 ³ / ₄ "	2"	17 ³ / ₈ "	13 ³ / ₄ "	2 ⁷ / ₈ "	16 ⁵ / ₈ "	3 ⁹ / ₁₆ "
42"	18"	24"	1 ³ / ₄ "	32"	16 ¹ / ₈ "	3 ⁹ / ₁₆ "	20 ¹ / ₈ "	16 ¹ / ₈ "	5"	21 ³ / ₄ "	4"

1

