

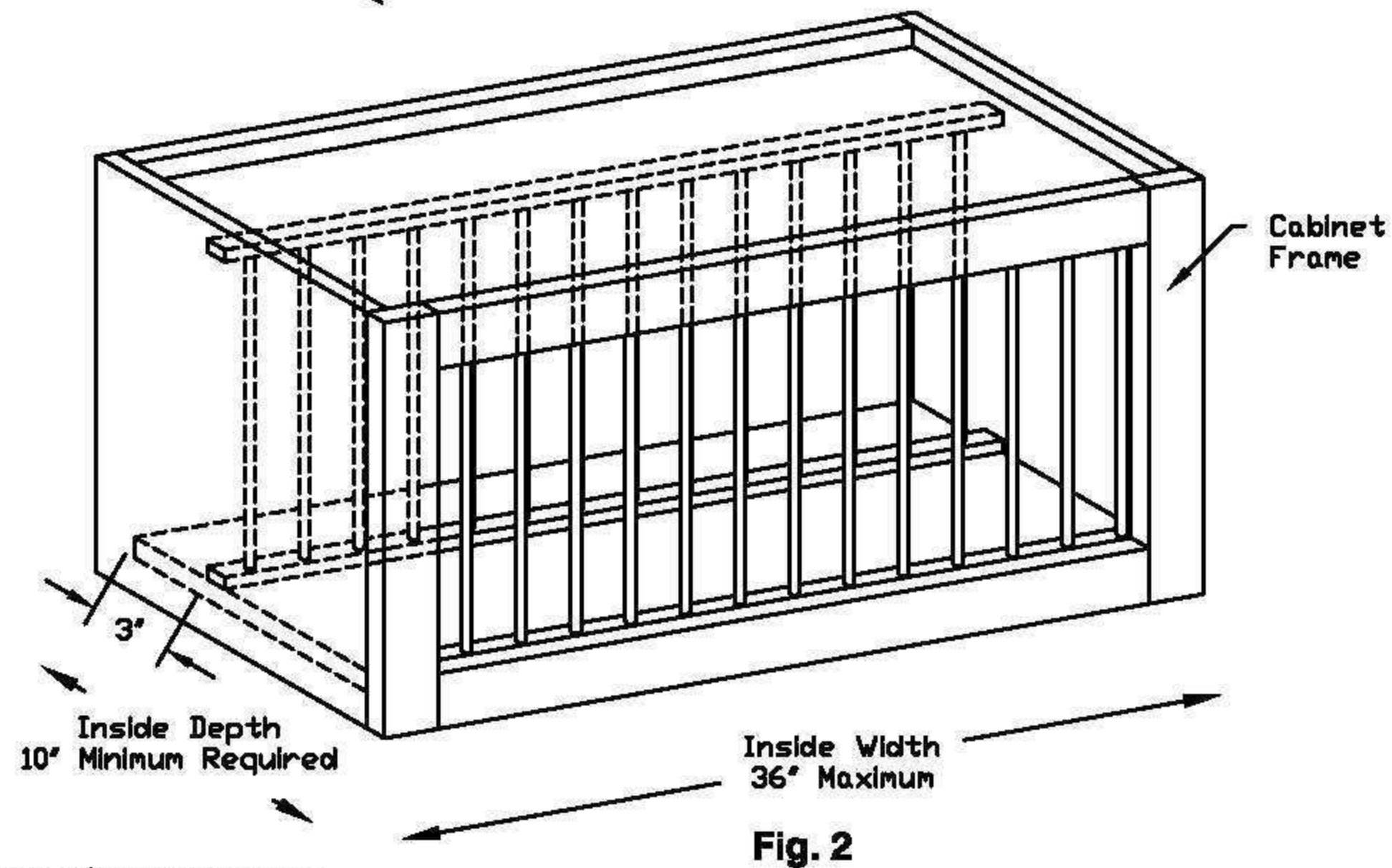
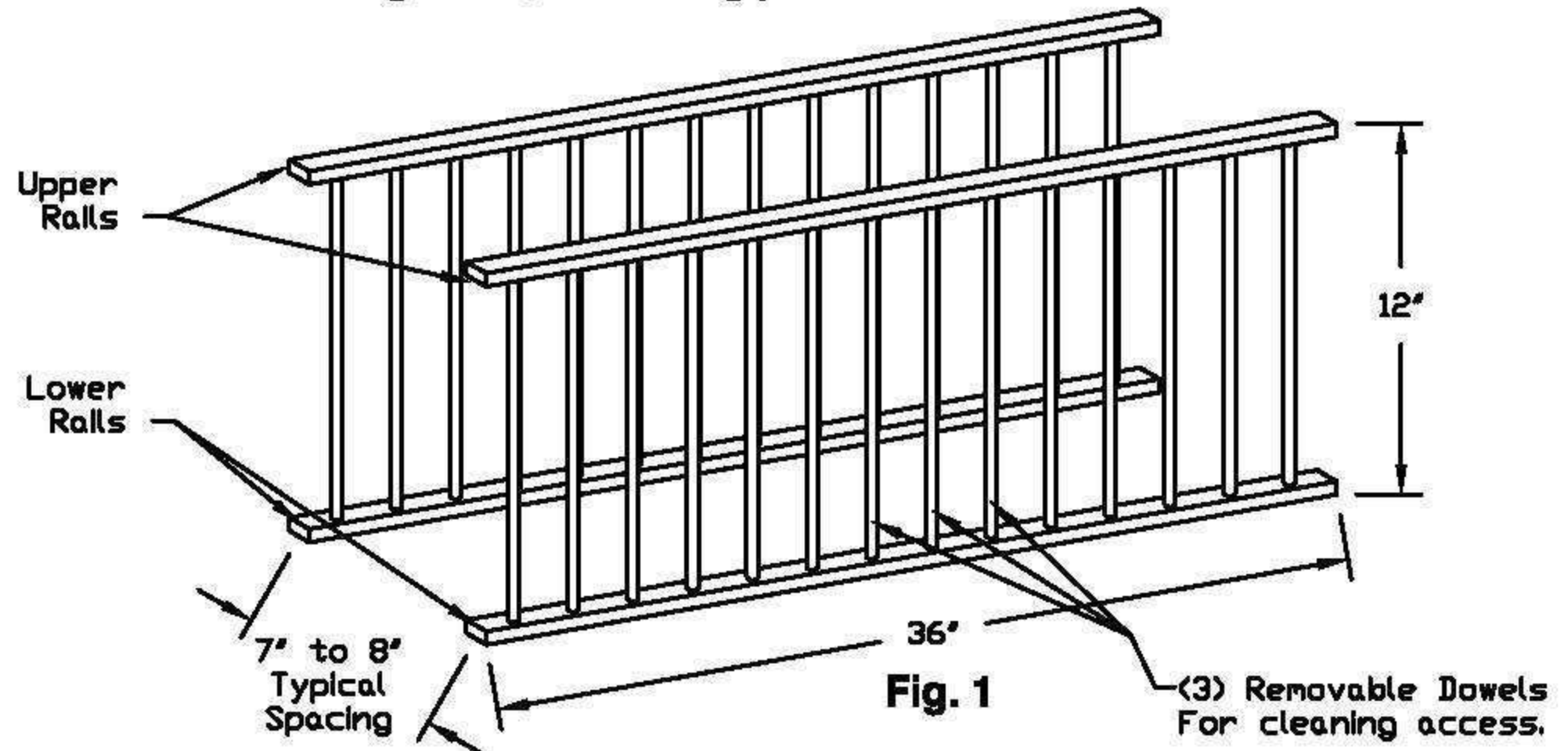
Always read the instructions completely and carefully before beginning assembly.
Remove and check contents for damage and / or missing parts.

Plate Rack

3/4" T x 36" W x 12" H Cherry 541.98.660 Maple 541.98.160

Contents of Box:
2 - Plate Racks

You will need:
Safety Glasses
Tape Measure
Cut-off saw
Brad nail gun with 3/4" brad nails



Installation Instructions

- Step 1** Measure the depth, height and width on the inside of your cabinet.
The minimum inside cabinet depth required = 10"
The maximum length on the inside cabinet = 36"
- Step 2** Mark the upper and lower rails for both the front and rear plate racks to fit the inside width of your cabinet. Use a cut-off saw to cut the rails to proper length.
IMPORTANT! Cut an Equal amount off each end, keeping the removable dowels centered.
example: to fit a 30" width, cut 3" off each end of a 36" upper and lower rail.
- Step 3** Install the rear plate rack towards the back of the cabinet, keeping it approximately 3" from the back of the cabinet.
IMPORTANT! Do not mount against the back of the cabinet. Fix the plate rack into position with a brad nail gun, a 3/4" brad is recommended for nailing into 1/2" thick material. (Note: Use caution on nail placement as not to shoot the nail through the cabinet.)

You must install the plate racks between 7" and 8" apart to accommodate standard plate sizes.

- Step 4** Install the front plate rack up against the back of the cabinet frame at the front. (Note: For deeper cabinets you can position the plate rack further back in the cabinet.) Fix the plate rack into position with a brad nail gun, a 3/4" brad is recommended for nailing into 1/2" thick material. (Note: Use caution on nail placement as not to shoot the nail through the cabinet.)