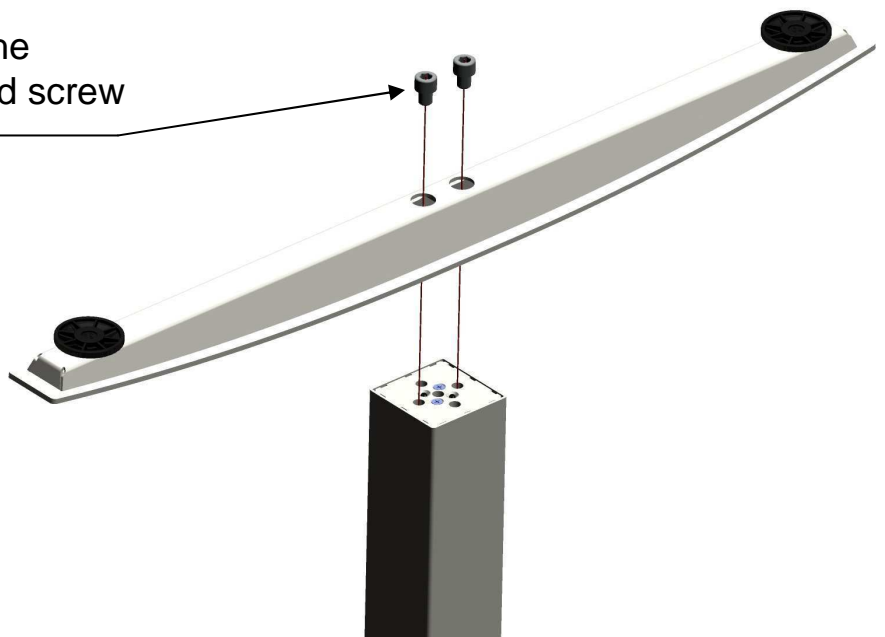




System: 9025 Freestand

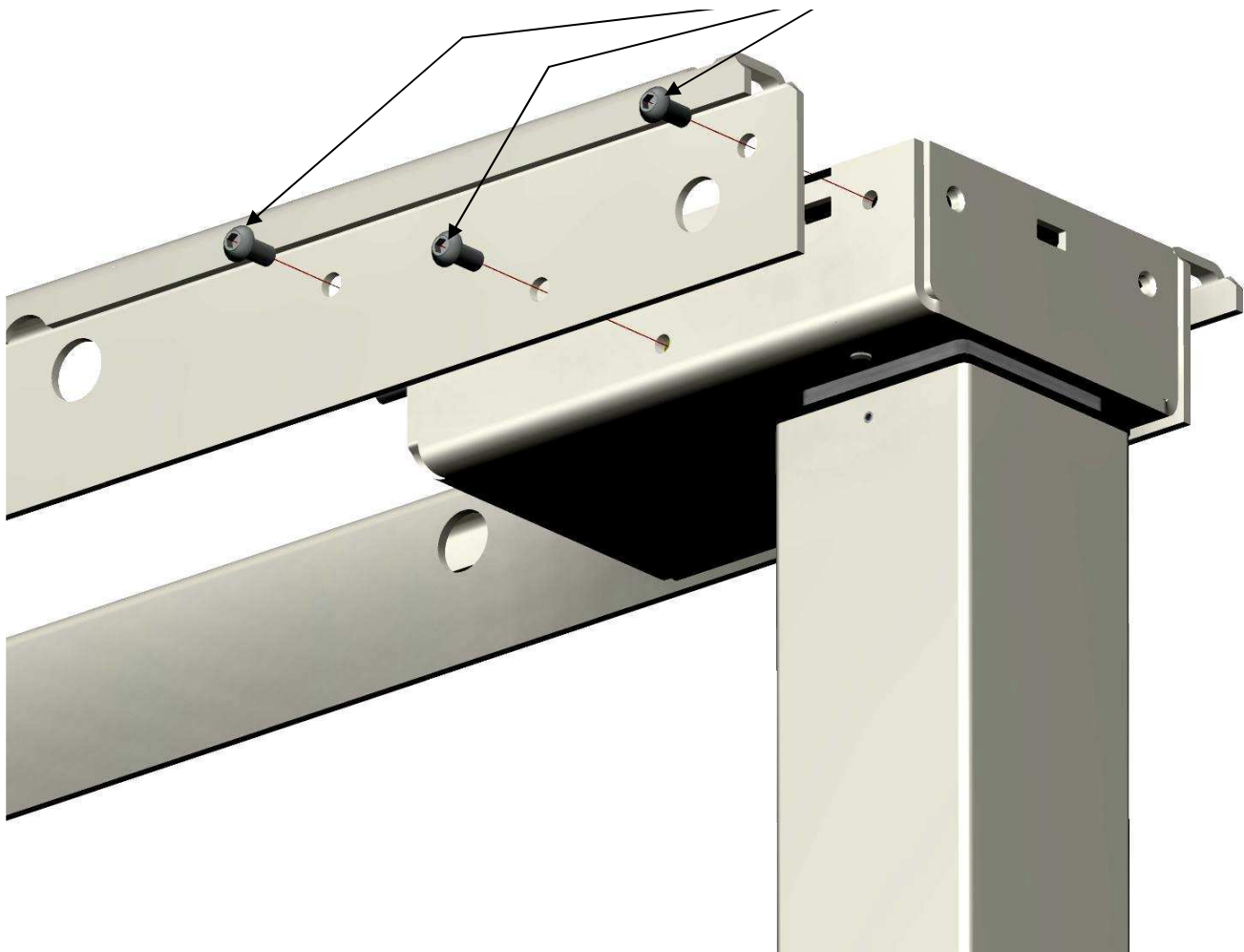


Step 1:
Mount the feet with the
M10x12 cylinder head screw



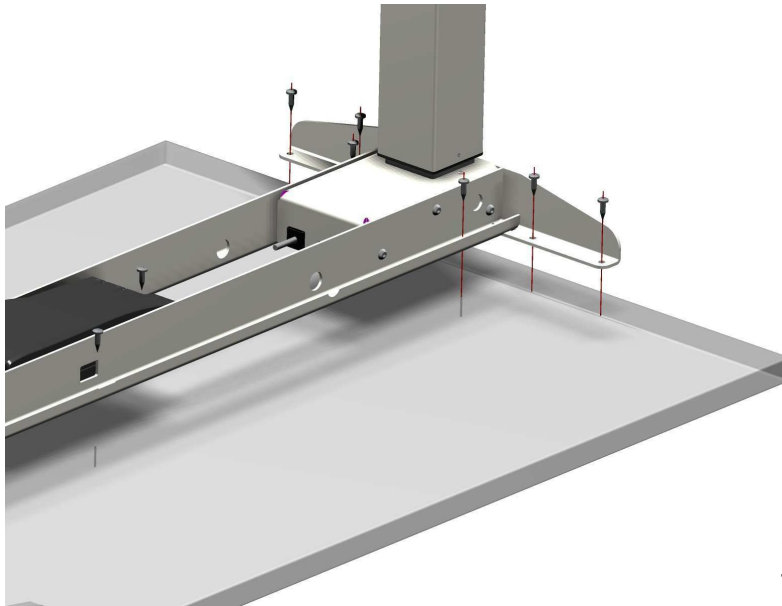


Step 2:
Mount the J-channels with the
M6x12 pan-head-screw

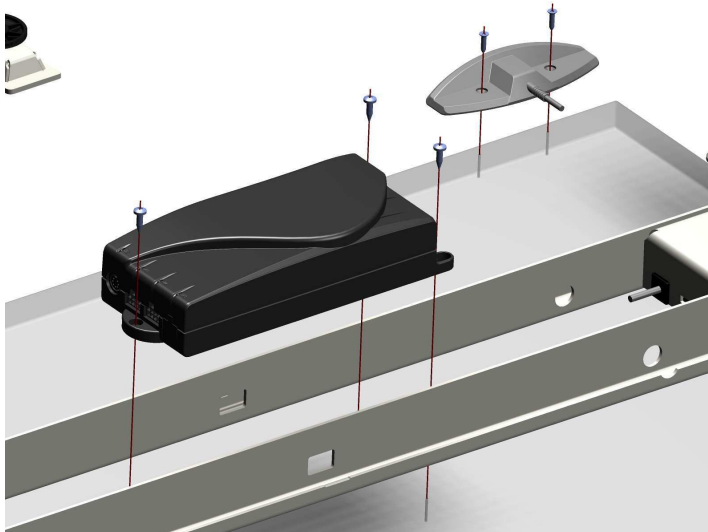


Step 3:
Mount the top-plate holder with the
M6x12 countersunk screws





Step 4:
Mount the
assembled frame
to the top-plate



Step 5:
Mount the controlbox and the
hand-controller to the top-plate

