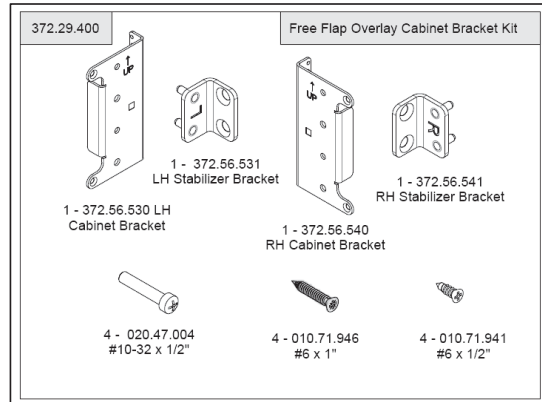


# Mounting Instructions

# HÄFELE

Item No.: 372.29.400

## FREE FLAP FACE FRAME OVERLAY CABINET BRACKET KIT

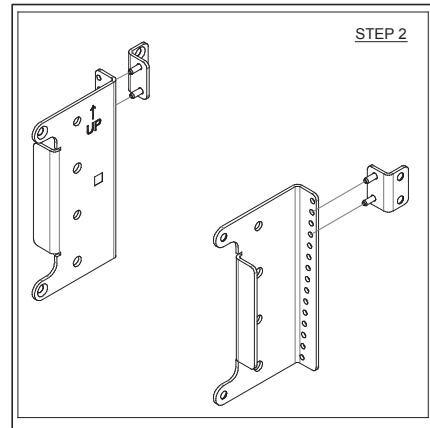
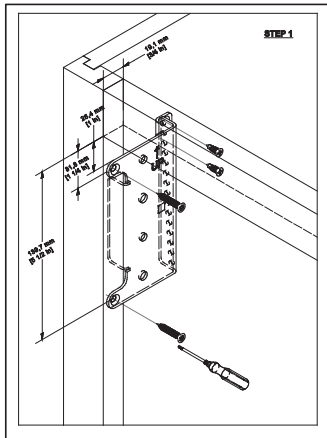


**STEP 1:**

Mount bracket to the face frame with 010.71.946 screws. Measure down 1" to the top of the bracket, 1 1/4" to the first screw hole or 5 1/2" to the bottom screw hole.

**STEP 2:**

Insert stabilizer bracket in the back of the bracket-using the holes that allow the bracket to rest against the side of the cabinet. Attach with 010.71.941 (check to make sure the screw is not too long for your side panel)

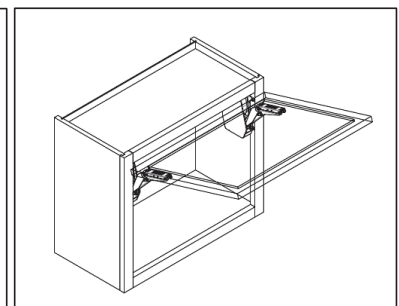
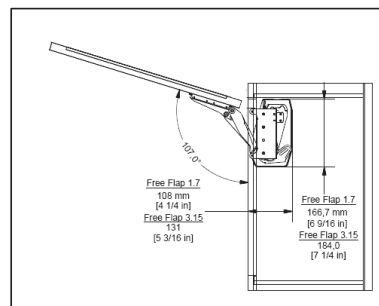
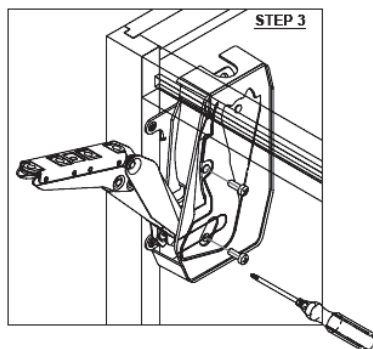


**STEP 3:**

Attach fitting to bracket using 020.47.004

**STEP 4:**

Follow fitting instructions for door mounting.  
Note: It is important to account for the thickness of the cabinet brackets; 2 mm on each side.



# HÄFELE

3901 Cheyenne Drive • P.O. Box 4000 • Archdale, NC 27263  
1-800-423-3531 • www.hafele.com/us