

# ENGAGE

product manual



**TAG Hardware Systems Ltd.**  
100 -19072 26th Avenue  
Surrey, BC Canada V3Z 3V7

Telephone (604) 542-4888  
Fax (604) 542-4884

# ENGAGE

## table of contents

**3**

### **Engage Collection Description**

The latest in closet innovation from TAG Hardware.

**4**

### **Engage Collection Products**

Collapsible Storage Boxes 4/  
Jewelry Organizer 6/  
Divided Shelf 8/  
Folding Station 10/  
Lingerie Drawer 12/  
Divided Deep Drawers 14/  
Shoe Organizer 16/  
Laundry Organizer 18/  
Pant Organizer 20/  
Signature Pole 22/

**24**

### **Installation Guide**

Removing Slides from Frame 24/  
Installing drawer face adapters 25/  
Installing the slides and mounting the frame 26/

**27**

### **Hafele**

Resources 27/

**28**

### **Configurations**

Configurations 28/

# ENGAGE

## collection description

We are excited to announce the latest in closet innovations from TAG Hardware, the ENGAGE product line. This storage system has been created with your customers in mind, as it is customizable and can adapt to the various storage needs of your client.

The collection consists of a full line of collapsible storage boxes, pull outs with divided jewelry & lingerie organizers, fabric baskets, laundry hampers and pant-racks. The pull-out accessories feature an aluminum frame with an adapter that allows for a drawer face to be front face mounted. These frames also include soft-close under mount slides as standard.

This rich fabric material (available in 2 finishes –Slate or Beach), featuring a timeless pattern, is used as an accent throughout the collection. This material beautifully complements any combination of finishes. The ENGAGE aluminum frames are available in Matte Aluminum, Matte Nickel or Oil Rubbed Bronze finishes.

The design of this line blends a luxurious mix of materials; including: fabrics, clean anodized aluminum and textured wood accents.

# ENGAGE

storage box

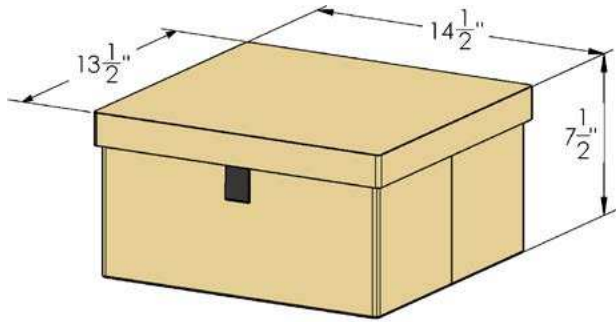


## Features:

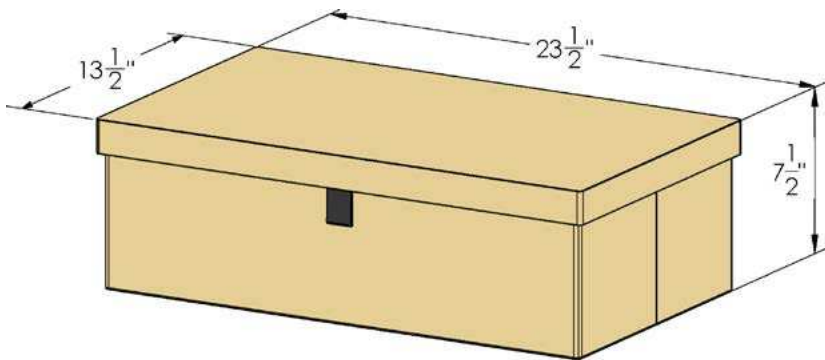
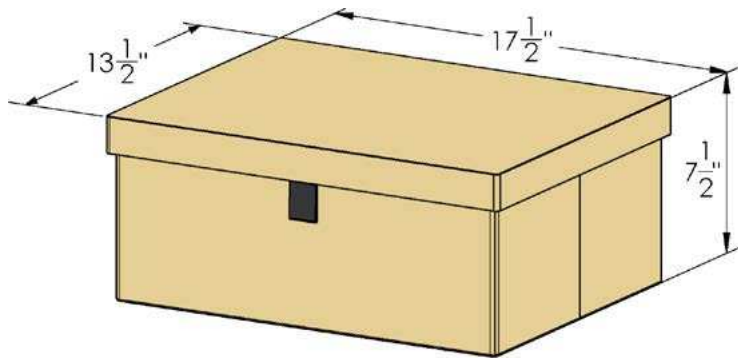


- Configured for miscellaneous items such as seasonal wear and small accessories.
- All are 7" tall, fitting perfectly on the top shelf of an 86" high closet, given an 8 ft ceiling.
- Provide your customer with quality boxes that coordinate and compliment the esthetic of your closet design. They also collapse, allowing for efficient storage when not in use.

310.6000.XX.XXX



**ENGAGE**  
storage box  
310.6000.(WIDTH).(FABRIC)



DOWNLOAD   
HAFELE part numbers

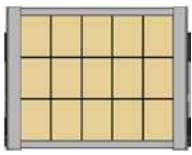
**Product Options:**

WIDTH: 15" 18" 24"

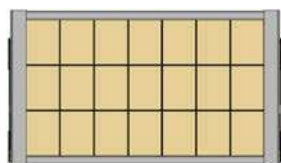
FABRIC:    
BEA SLA

# ENGAGE

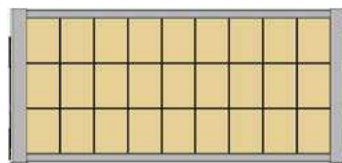
## jewelry organizer



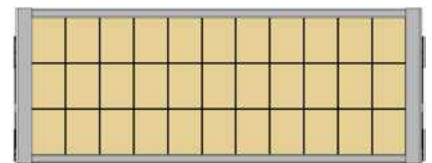
**18" JEWELRY ORGANIZER**  
3 DEEP X 5 WIDE = 15 SPACES



**24" JEWELRY ORGANIZER**  
3 DEEP X 7 WIDE = 21 SPACES



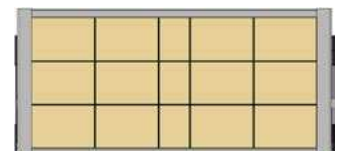
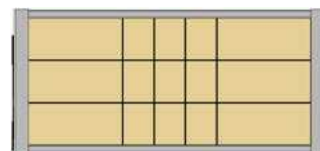
**30" JEWELRY ORGANIZER**  
3 DEEP X 9 WIDE = 27 SPACES



**36" JEWELRY ORGANIZER**  
3 DEEP X 11 WIDE = 33 SPACES

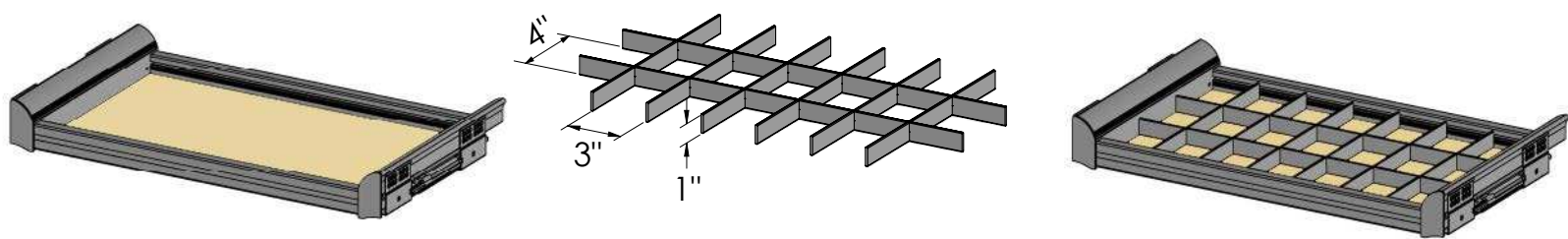
### Features:

- Configured for jewelry, ties, belts, & sunglasses.
- Designed for alternate configurations
- Spaces can be adjusted to change grid lengths to suit your accessories



31.6115.xx.xxx.xxx

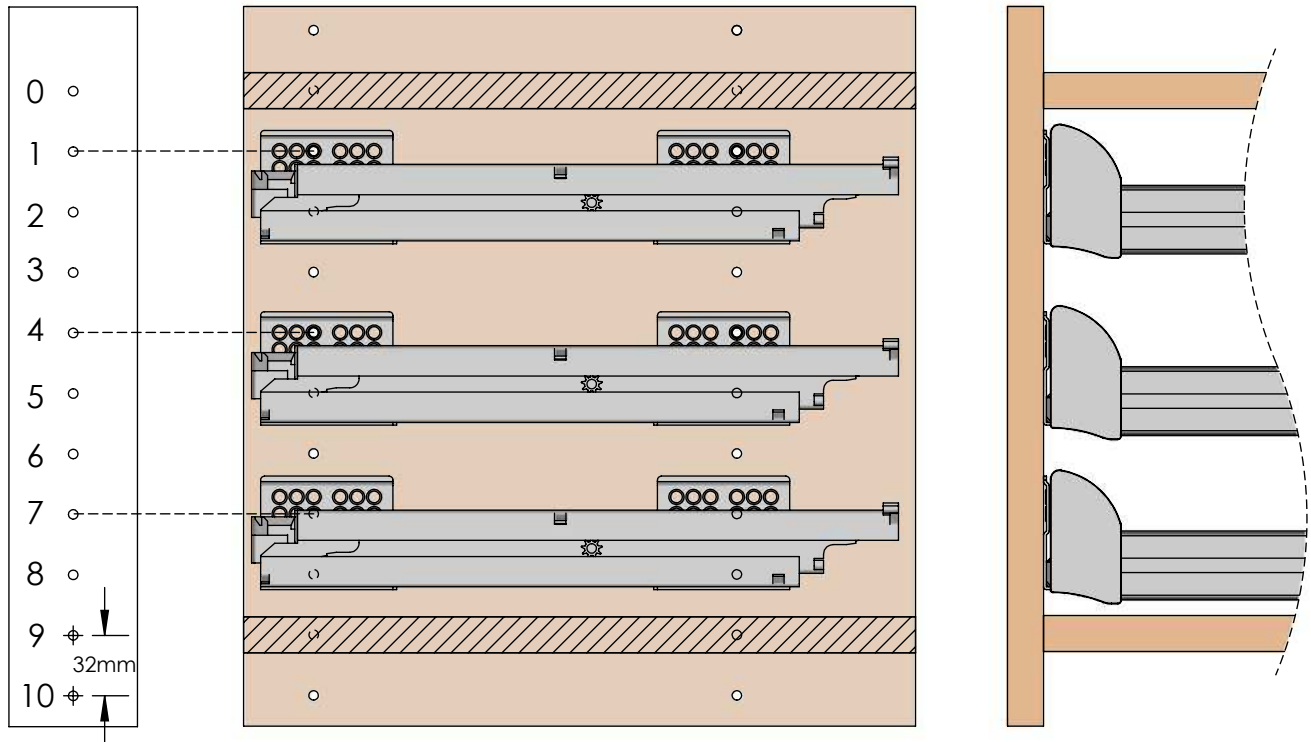
310.6170.xx.xxx



shelf  
31.6115.(WIDTH).(FABRIC).(FINISH)

+ jewelry organizer insert  
310.6170.(WIDTH).(FINISH) =

**ENGAGE**  
Jewelry organizer



[VIEW](#)  
INSTALLATION video

[DOWNLOAD](#)  
HAFELE part numbers

### Product Options:

WIDTH: 18" 24" 30" 36"

DEPTH: 14"

FABRIC: BEA SLA

FINISH: MAL MNL ORB

# ENGAGE

divided shelf



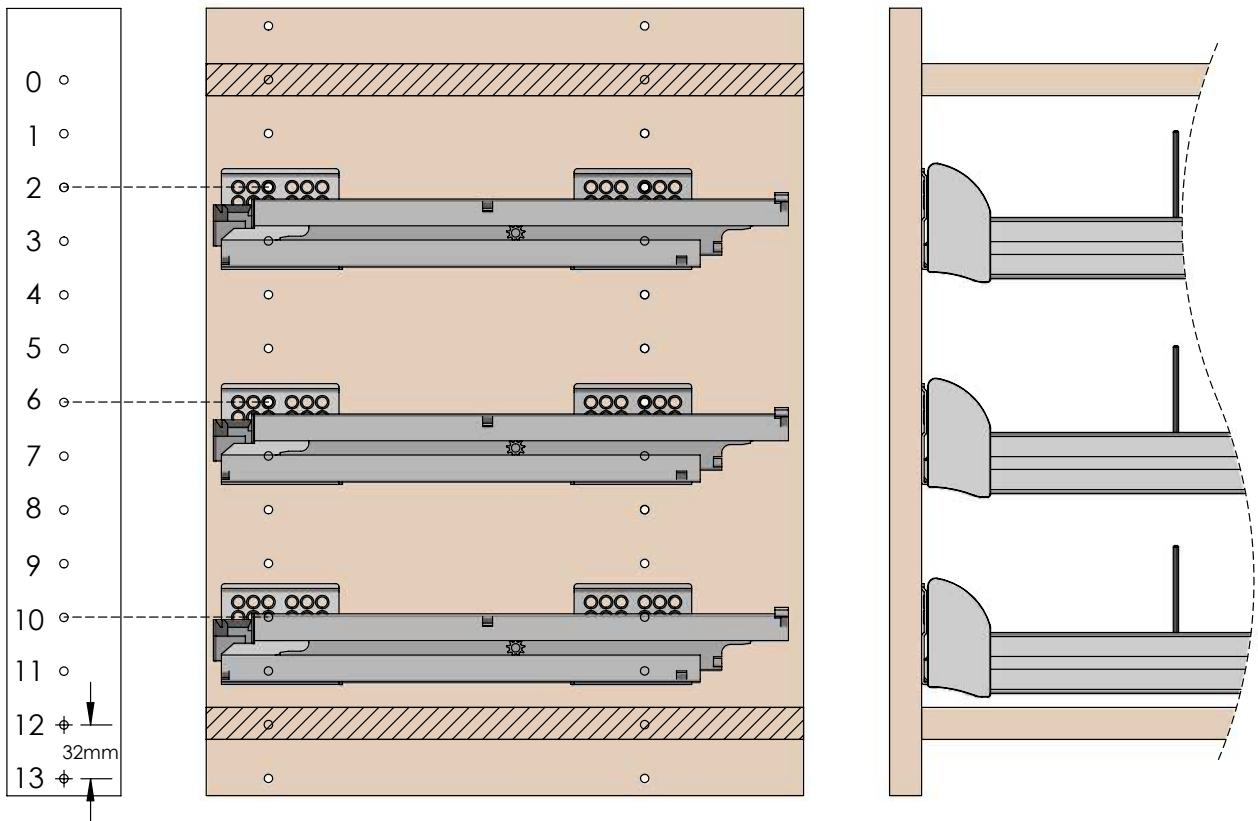
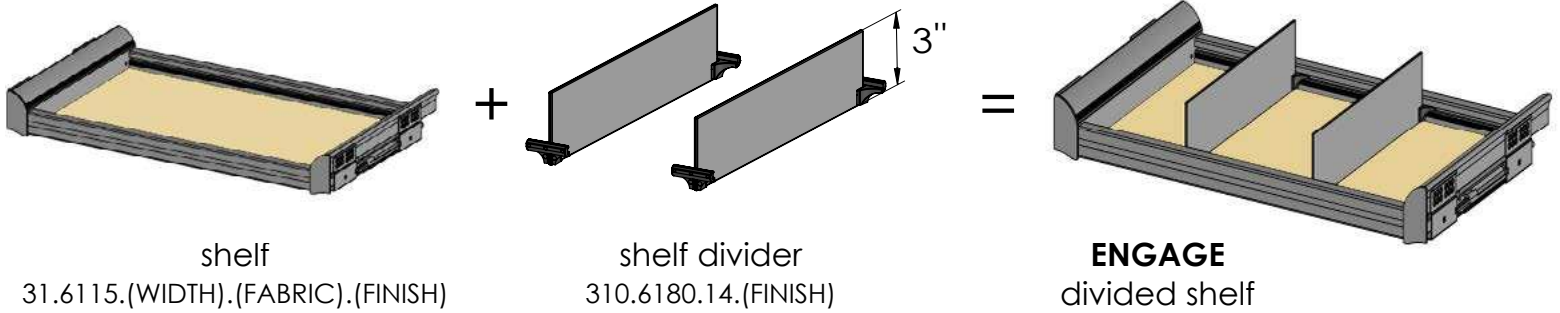
## Features:



- Configured for jeans, shoes, handbags, hats and shirts.
- Can be customized using 3" tall shelf dividers, with as few or as many needed.
- Dividers can be set at any desired position.



31.6115.xx.xxx.xxx  
310.6180.14.xxx



[VIEW](#)  
INSTALLATION video

[DOWNLOAD](#)  
HAFELE part numbers

**Product Options:**

WIDTH: 18" 24" 30" 36"

DEPTH: 14"

FABRIC: BEA SLA

FINISH: MAL MNL ORB

# ENGAGE

folding station

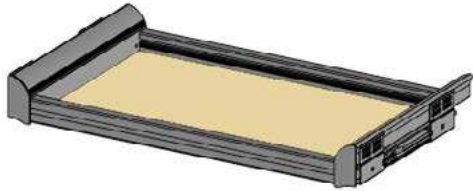


## Features:

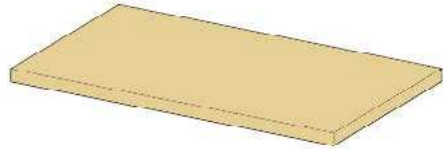


- Configured for folding clothes such as shirts, pants, and sweaters.
- Base can be removed and a variety of custom bases can be cut and fitted.
- A clutter free space for folding, that tucks neatly under a fixed shelf.

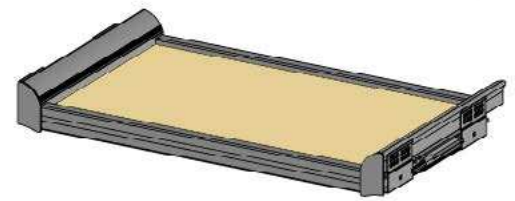
31.6115.xx.xxx.xxx  
3/4" board



+



=

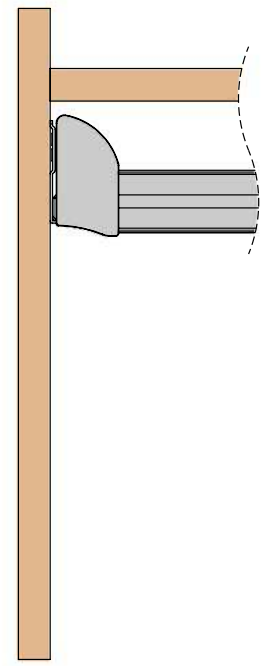
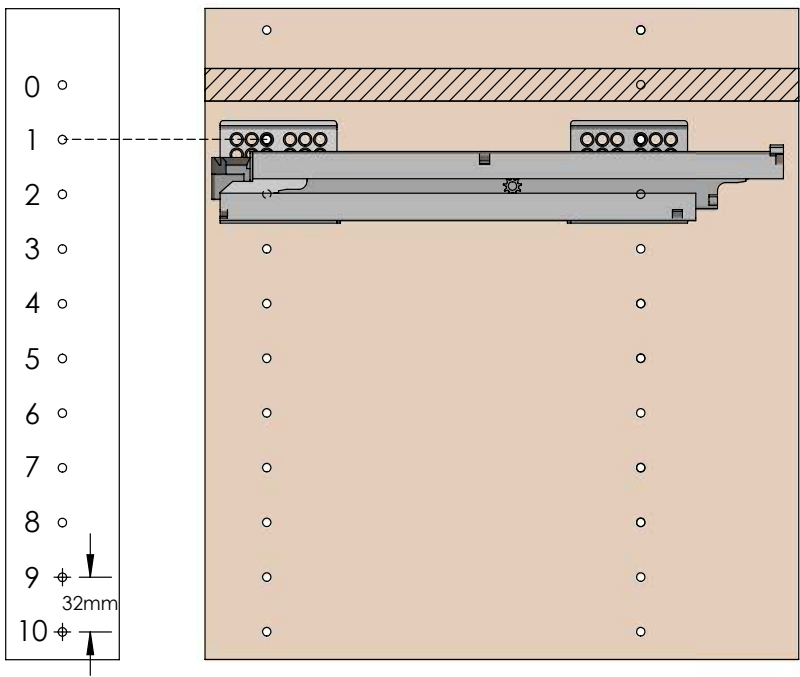


shelf  
31.6115.(WIDTH).(FABRIC).(FINISH)

3/4" board  
(shop supplied)

**ENGAGE**  
folding  
station

FRAME	L (")	W (")
18"	14 13/16	12 1/16
24"	20 13/16	12 1/16
30"	26 13/16	12 1/16
36"	32 13/16	12 1/16



**VIEW**  
INSTALLATION video

**DOWNLOAD**  
HAFELE part numbers

**Product Options:**

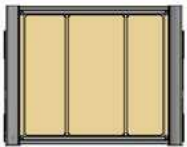
- WIDTH: 18" 24" 30" 36"
- DEPTH: 14"

- FABRIC: BEA SLA

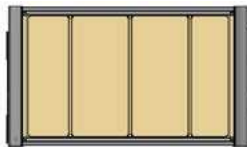
- FINISH: MAL MNL ORB

# ENGAGE

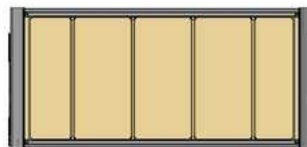
divided lingerie drawer



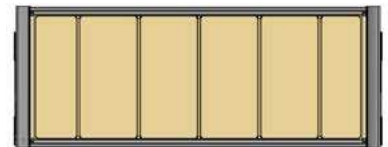
18" width - standard with 2 dividers



24" width - standard with 3 dividers



30" width - standard with 4 dividers



36" width - standard with 5 dividers

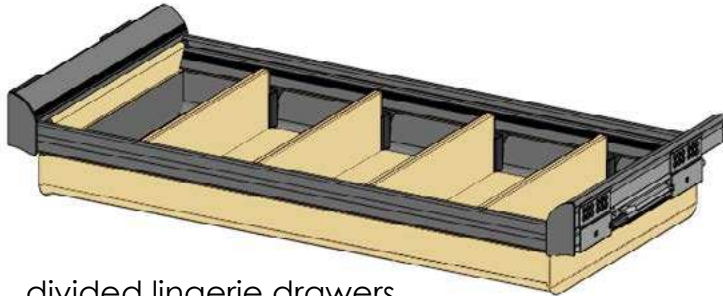
## Features:



- Customizable storage compartments that compact to fit your lingerie.
- Organizes more pieces in less space than a conventional drawer.
- Alternate uses: Roll-up neck tie storage, hair care appliances and athletic apparel.

31.6325.xx.xxx.xxx

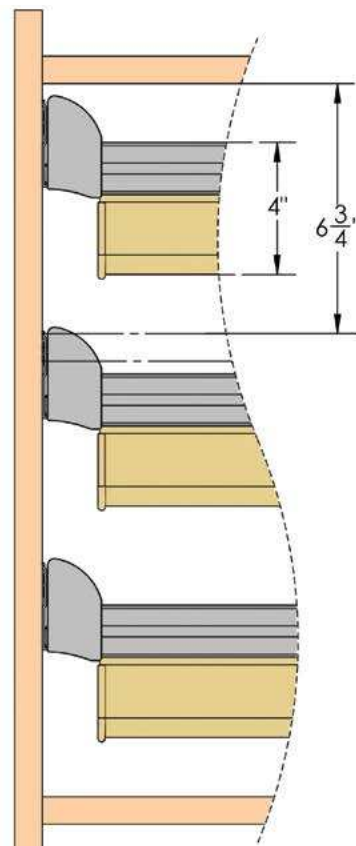
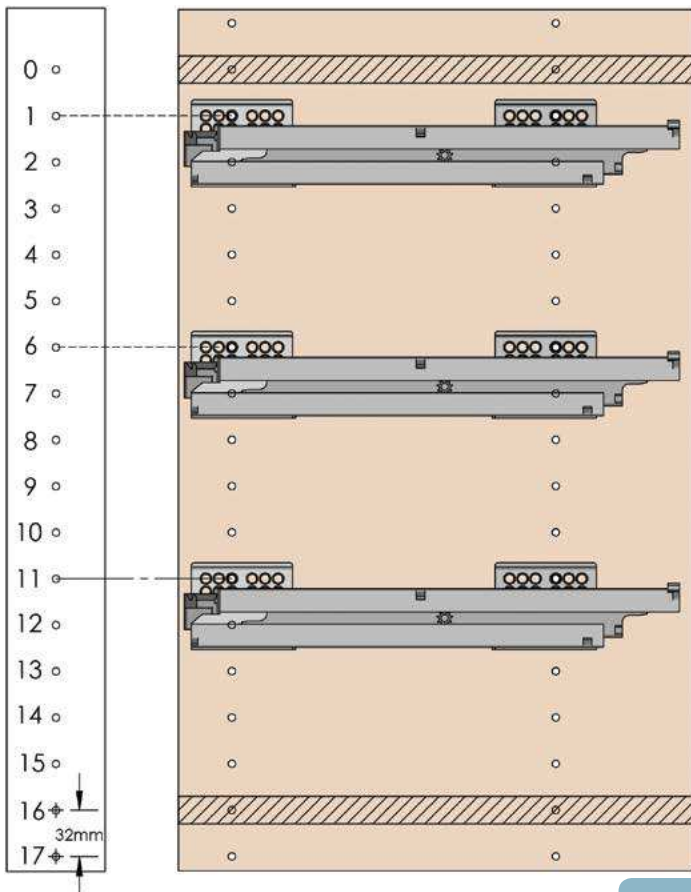
310.6325.xxx



divided lingerie drawers  
31.6325.(WIDTH).(FABRIC).(FINISH)



extra lingerie dividers  
310.6325.(FABRIC)



[VIEW](#)  
INSTALLATION video



[DOWNLOAD](#)  
HAFELE part numbers



### Product Options:

WIDTH: 18" 24" 30" 36"

DEPTH: 14"

FABRIC:



FINISH:



# ENGAGE

divided deep drawers

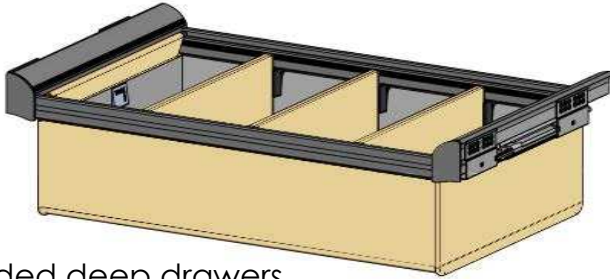


## Features:



- Configured for sweaters, jeans, and linen.
- A sophisticated solution to the standard steel wire basket.
- Fully lined fabric basket with a deep divider and rigid wooden base.
- Perfect size to organize, but not too deep to lose things!

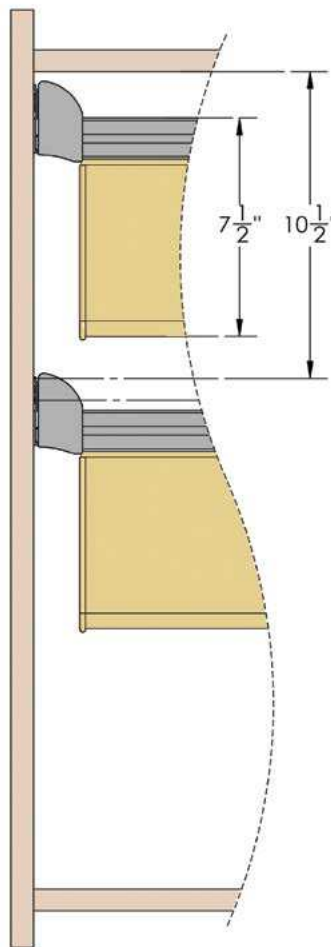
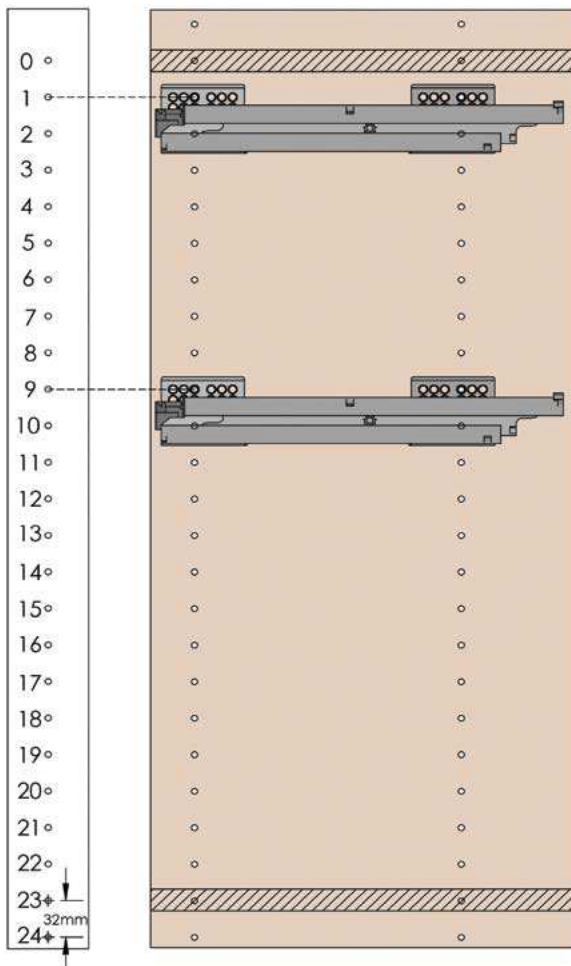
31.6385.XX.XXX.XXX  
 — 310.6385.XXX



divided deep drawers  
 31.6385.(WIDTH).(FABRIC).(FINISH)



extra deep dividers  
 310.6385.(FABRIC)



**VIEW**  
 INSTALLATION video

**DOWNLOAD**  
 HAFELE part numbers

**Product Options:**

WIDTH: **18"** **24"** **30"** **36"**

DEPTH: **14"**

FABRIC:

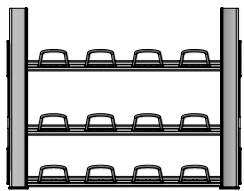


FINISH:

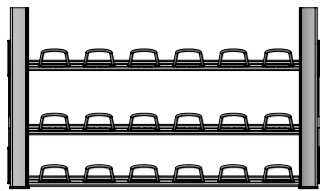


# ENGAGE

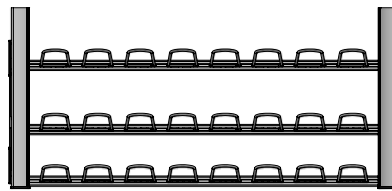
shoe organizer



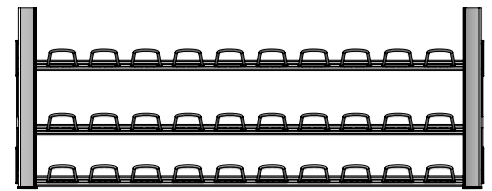
18" width - 6 pairs



24" width - 9 pairs



30" width - 12 pairs



36" width - 15 pairs

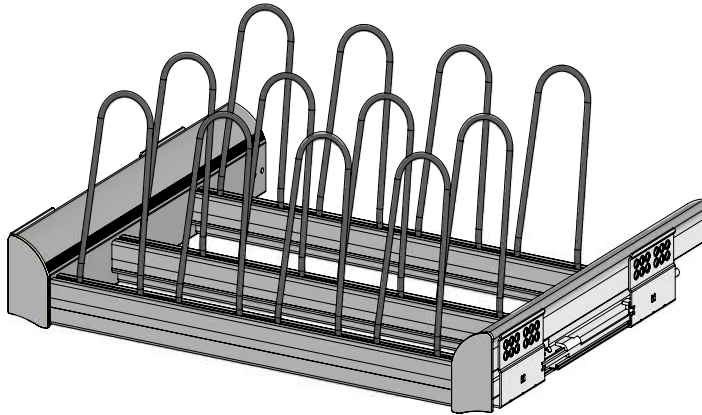
## Features:



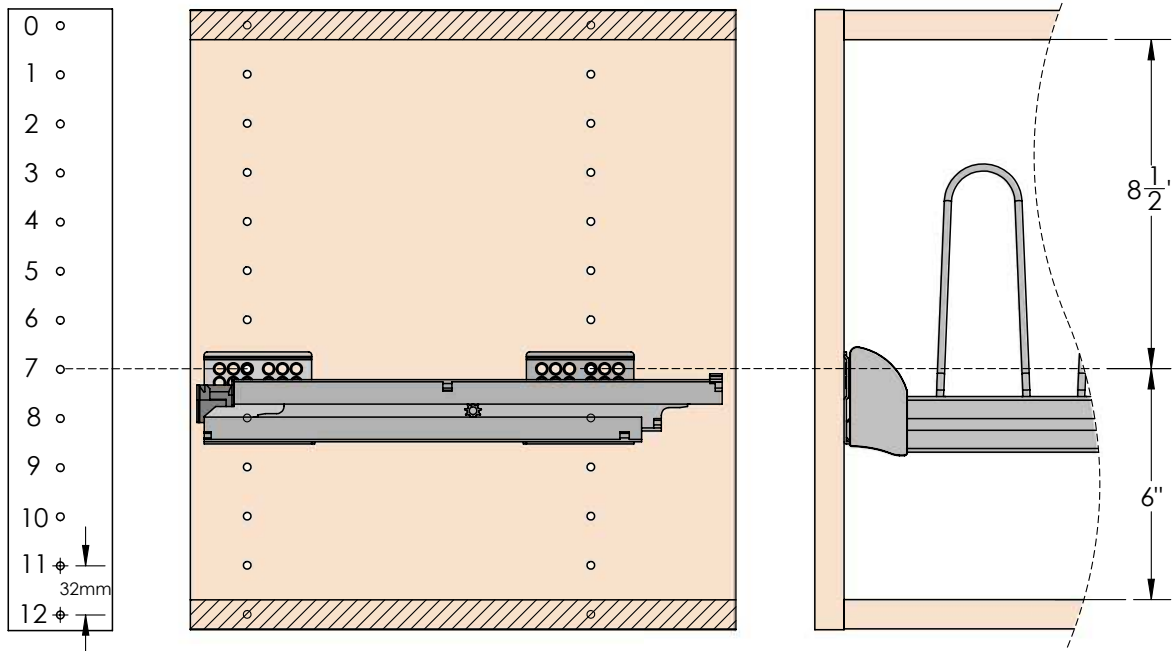
- Configured for shoes and sandals.
- Holds up to 6 pairs for the 18", 9 pairs for the 24", 12 pairs for the 30" & 15 pairs for the 36".
- Comes with specially designed Sandal Clips to turn the front row into sandal storage.
- Adjustable for varying shoe widths.



31.6415.XX.XXX



**ENGAGE**  
shoe organizer  
31.6415.(WIDTH).(FINISH)



[VIEW](#)  
INSTALLATION video



[DOWNLOAD](#)  
HAFELE part numbers



### Product Options:

WIDTH: (18") (24") (30") (36")

DEPTH: (14")

FINISH:     
MAL MNL ORB

# ENGAGE

laundry organizer



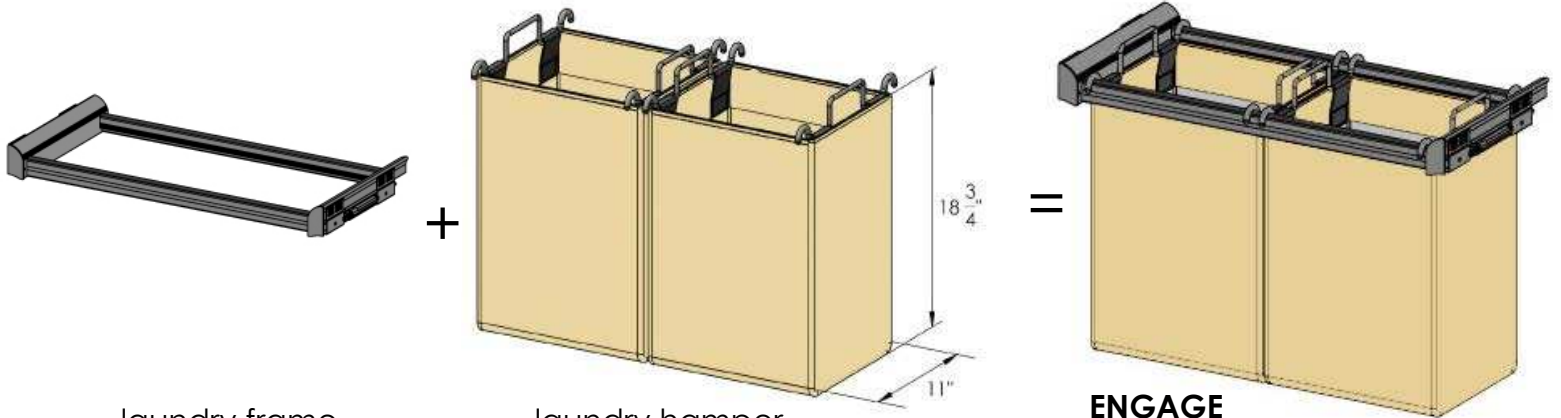
## Features:



- Configured with multiple hampers allowing for easy laundry sorting.
- Sort your articles by color or for dry cleaning; keeps it out of sight.
- Fully lined hamper, easy to clean.

31.6505.xx.xxx

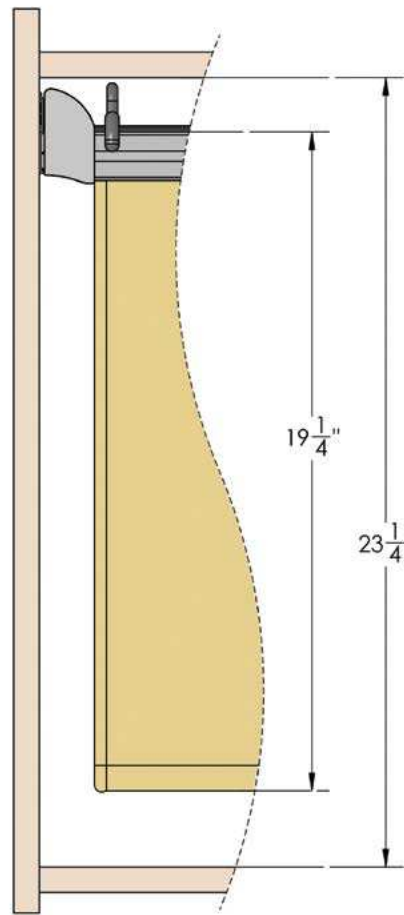
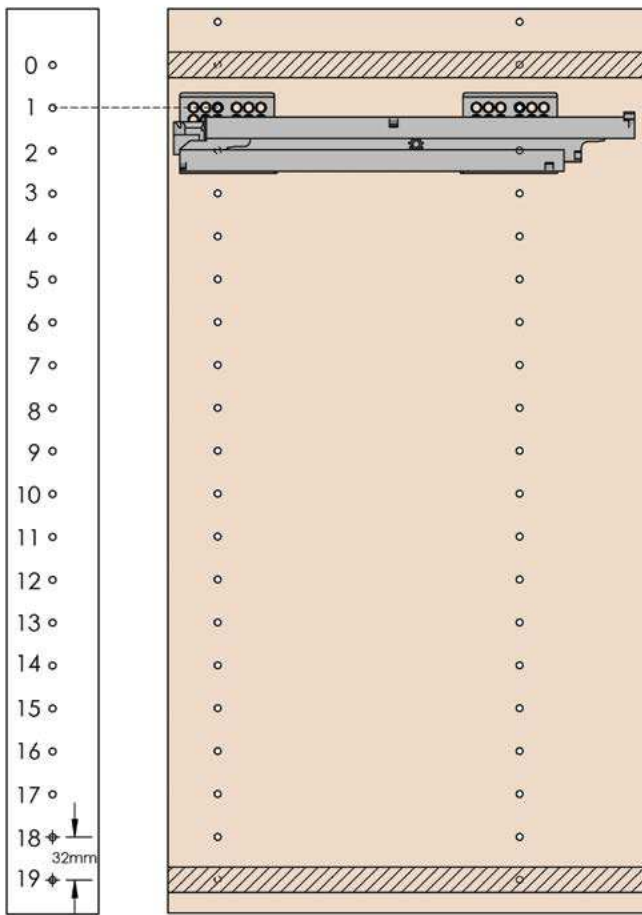
310.6570.12/15/18.xxx



laundry frame  
31.6505.(WIDTH).(FINISH)

laundry hamper  
310.6570.(12/15/18).(FABRIC)

**ENGAGE**  
laundry  
organizer



[VIEW](#)  
INSTALLATION video

[DOWNLOAD](#)  
HAFELE part numbers

### Product Options:

WIDTH: 18" 24" 30" 36"

DEPTH: 14"

FABRIC: BEA SLA

FINISH: MAL MNL ORB

# ENGAGE

pant organizer

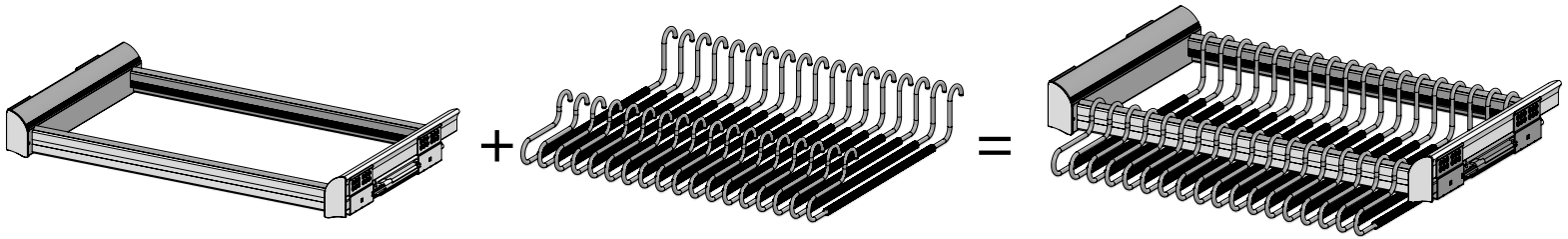


## Features:



- A space efficient solution for pant and long skirt storage.
- Plastic sliding strips allow the pant hangers to glide effortlessly and not scratch the frame.
- Recommend 12 hangers for the 18", 18 for the 24", 24 for the 30" and maximum 30 for the 36" wide system.

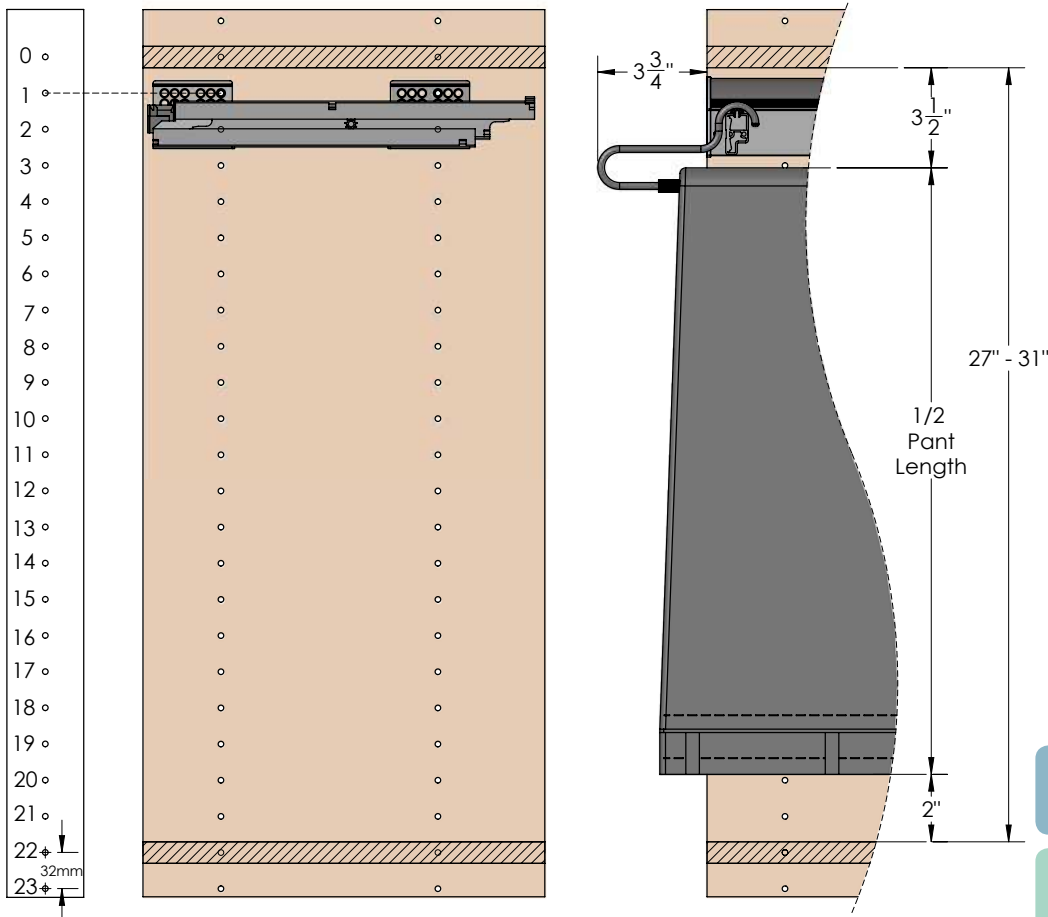
31.6505.xx.xxx  
300.3111.BLK



laundry frame  
31.6505.(WIDTH).(FINISH)

pant hanger  
300.3111.BLK

**ENGAGE**  
pant  
organizer



[VIEW](#)    
INSTALLATION video

[DOWNLOAD](#)    
HAFELE part numbers

**Product Options:**

WIDTH: 18" 24" 30" 36"

DEPTH: 14"

FINISH: MAL MNL ORB

# SIGNATURE pole

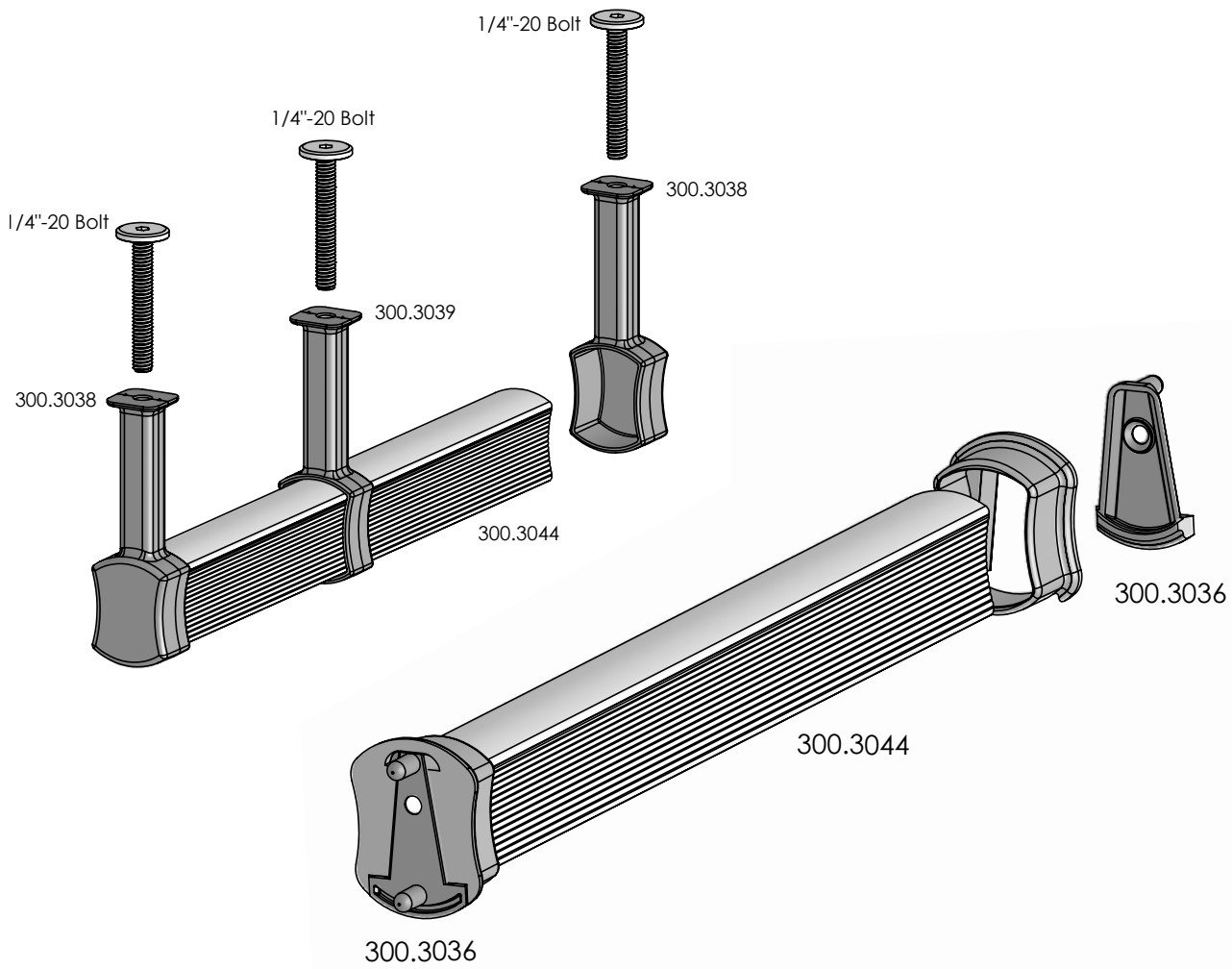
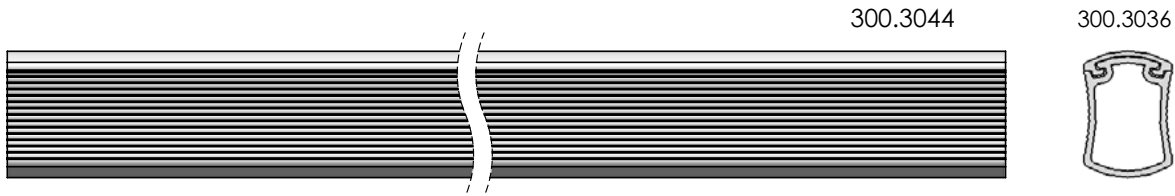


## Features:

- The patented design features a plastic cap on top of the pole that provides smooth, quiet gliding of hangers.
- Comes in the standard 8' length that can be cut to size in house.
- Closed caps on both ends for a seamless look.

300.3044.xxx

300.3036/38/39.xxx



cup 300.3036.(FINISH) + pole 300.3044.(FINISH) = SIGNATURE pole

DOWNLOAD HAFELE part numbers 

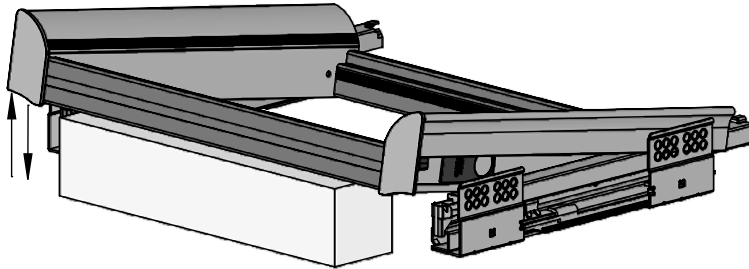
### Product Options:

FINISH:



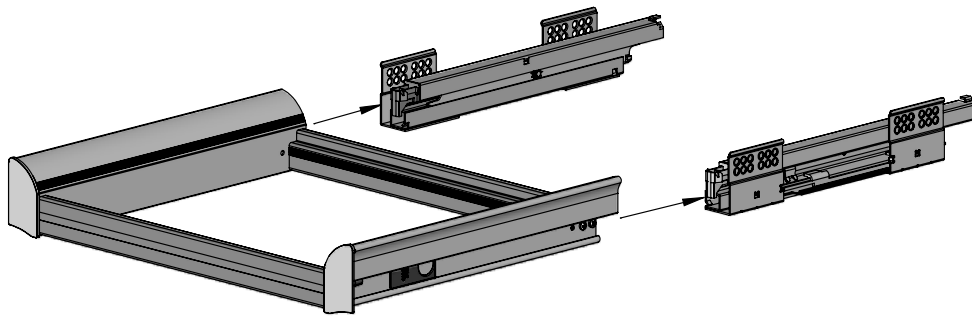
# INSTALLATION GUIDE

## removing slides from frame



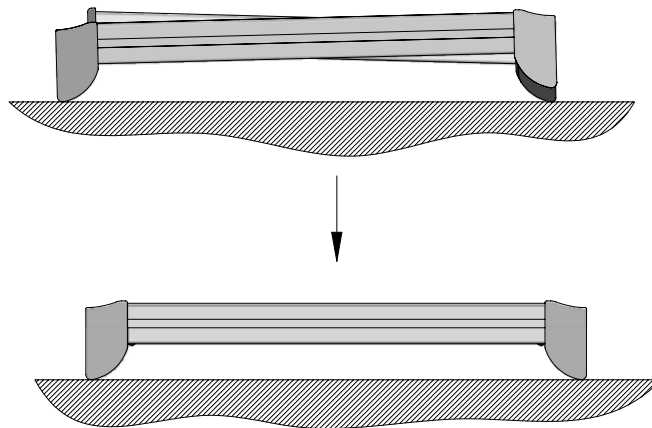
### Step 1

Place piece of packing foam on flat surface, lift the front of the frame up and impact the front crossbar on the packing foam piece so that the slides detach from the front of the frame.



### Step 2

Push slides backwards to release from rear of frame.



### Step 3

Place frame on a flat surface and press lightly on the corners to square the frame. This ensures it is level to install.

[VIEW  
INSTALLATION video](#)





# INSTALLATION GUIDE

## installing drawer face adapters

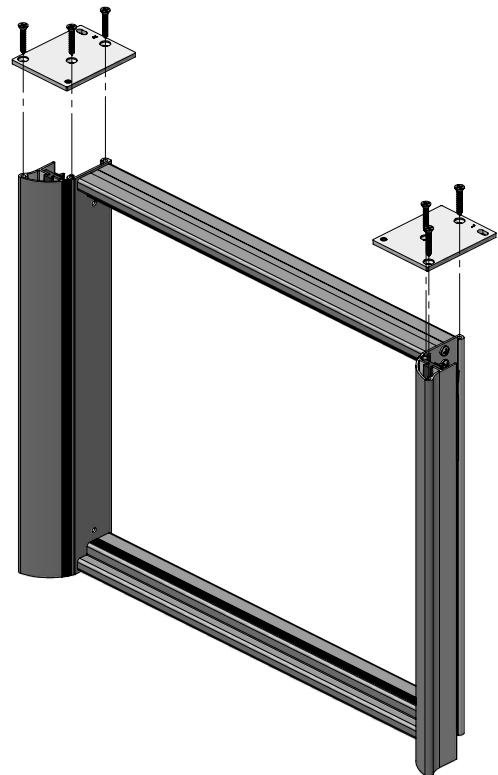
### Step 1

Remove endcaps using a No. 1 Robertson Screwdriver. Be careful not to remove the plastic clips.



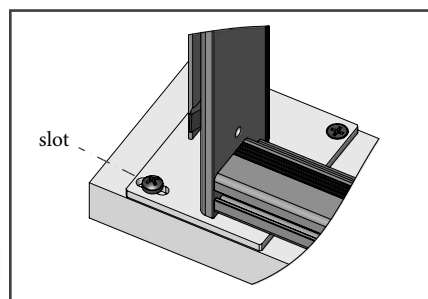
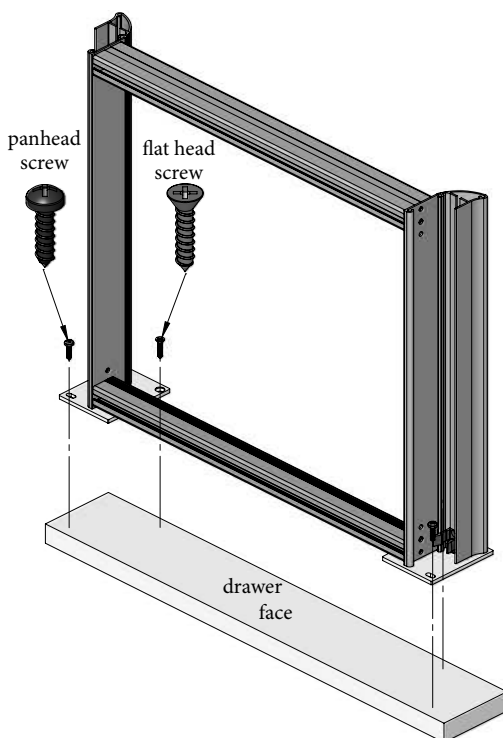
### Step 2

Install left and right drawer face adapter plates by using 6 pieces of No. 8 - 1" self tapping screws (supplied).



### Step 3

Attach drawer face to plate using pan head screw, mount through slot on plate. Ensure drawer face is centrally located (adjust position on slot if required). Attach flat head screw into countersunk hole.



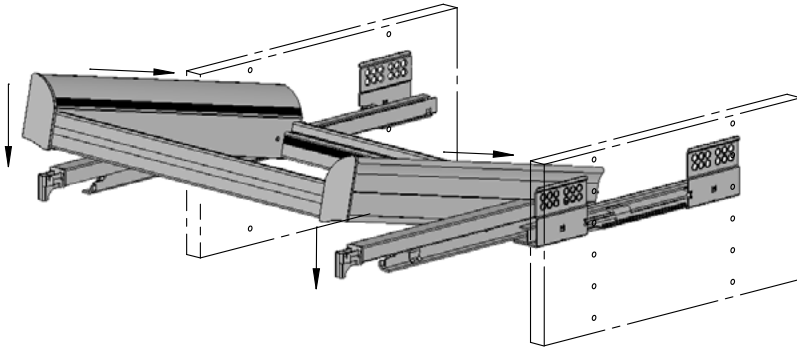
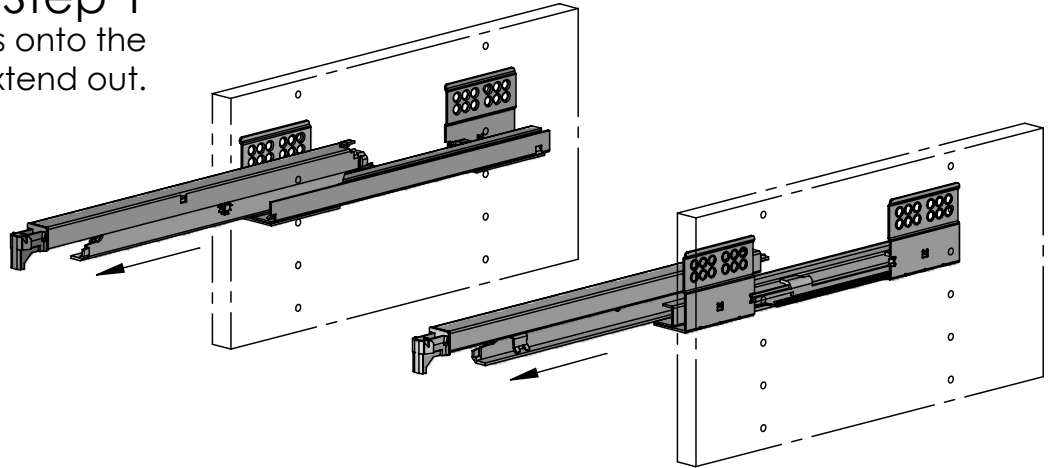
VIEW  
INSTALLATION video 

# INSTALLATION GUIDE

## installing the slides and mounting the frame

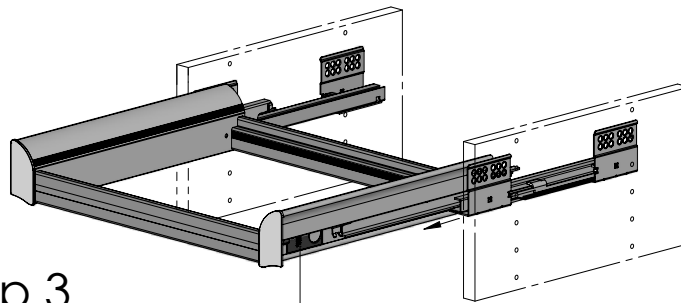
### Step 1

Mount the slides onto the panels and extend out.



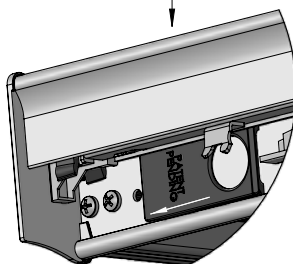
### Step 2

Position frame on extended arms as shown. Push frame back at angle until rear slot engages with tab on back of slide arm. Press front of frame firmly down, snapping the clips onto the slide arms.



### Step 3

With the frame secured at the front and back, slide the rectangular clips all the way to the front.



VIEW  
INSTALLATION video 

Download a complete list of TAG Hardware & HAFELE item codes

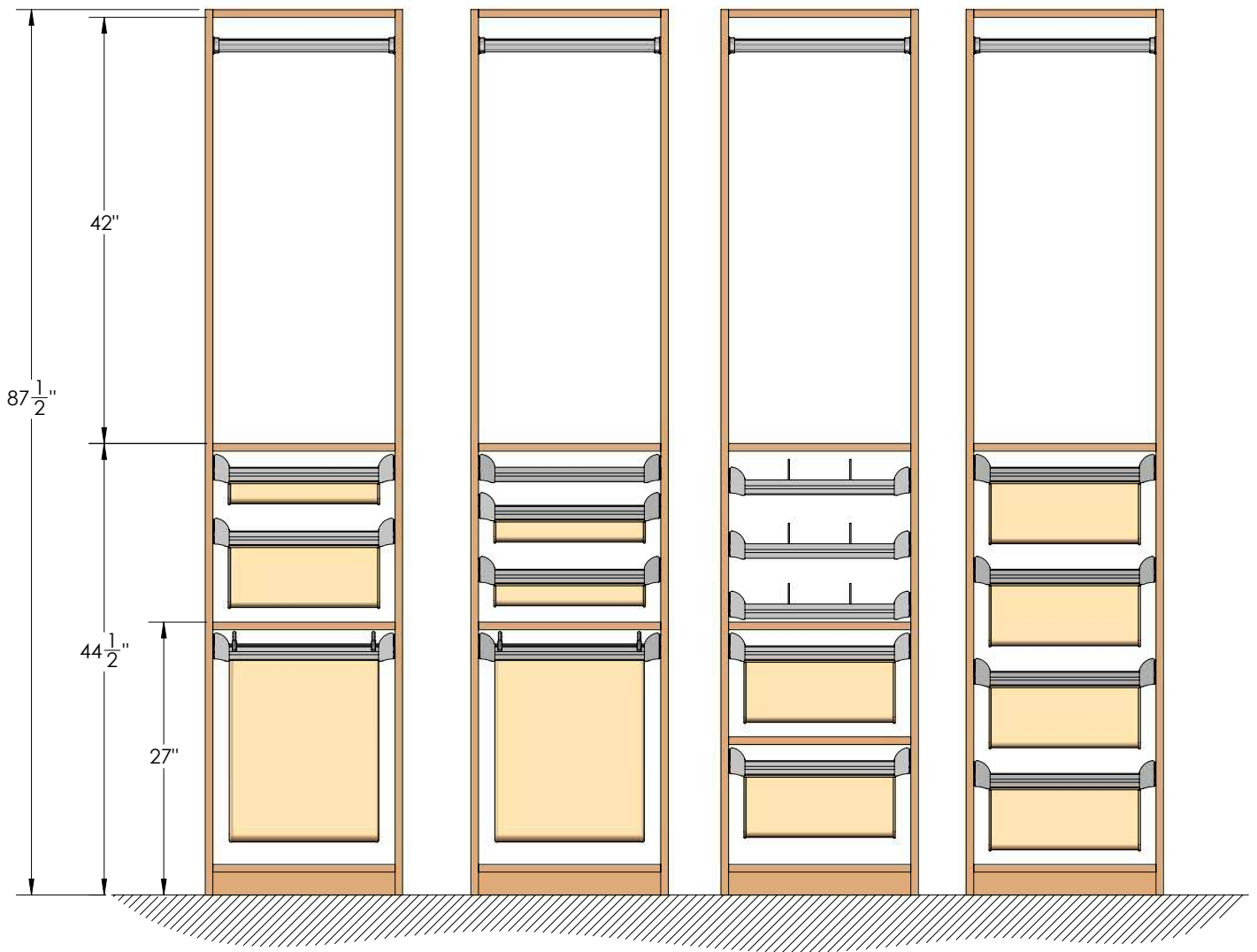


If you need more info on installing the ENGAGE accessories,  
go to YouTube and search **Tag Hardware ENGAGE Collection**



# INSTALLATION GUIDE

## configurations



# INSTALLATION GUIDE

## configurations

