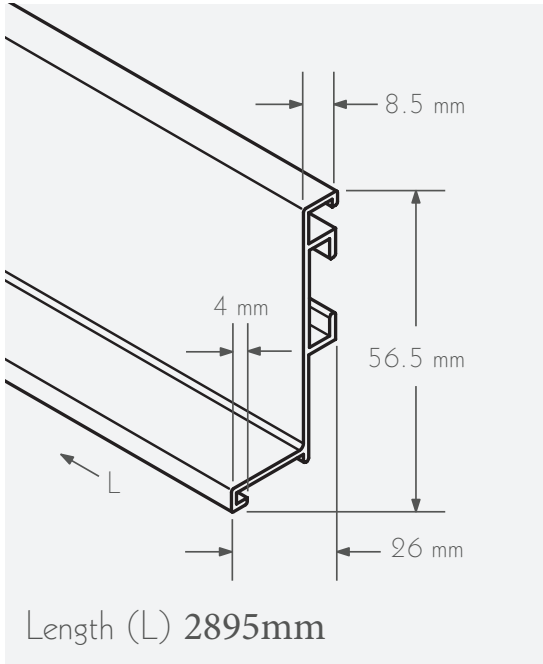


Handle-Free Cabinet Hardware

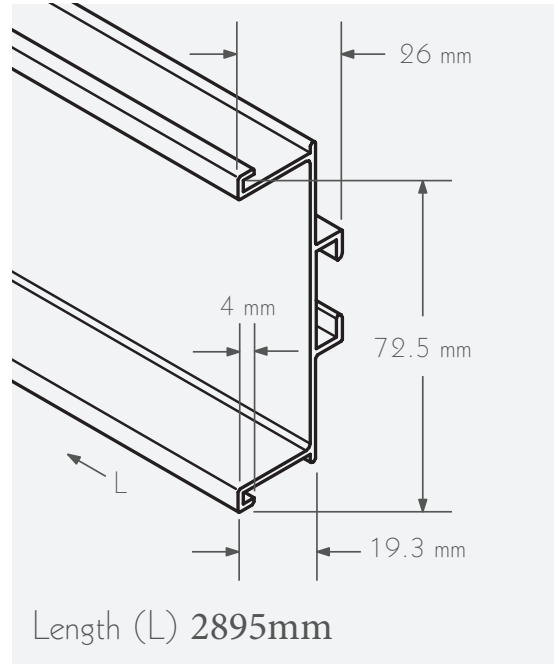


PROFILES

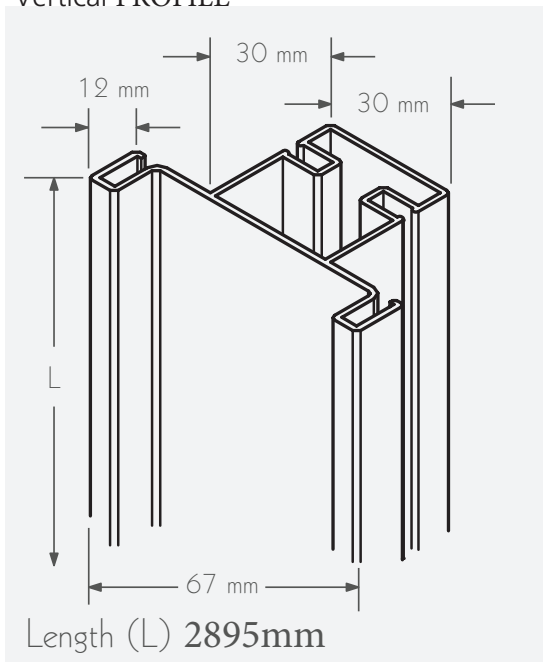
L-PROFILE



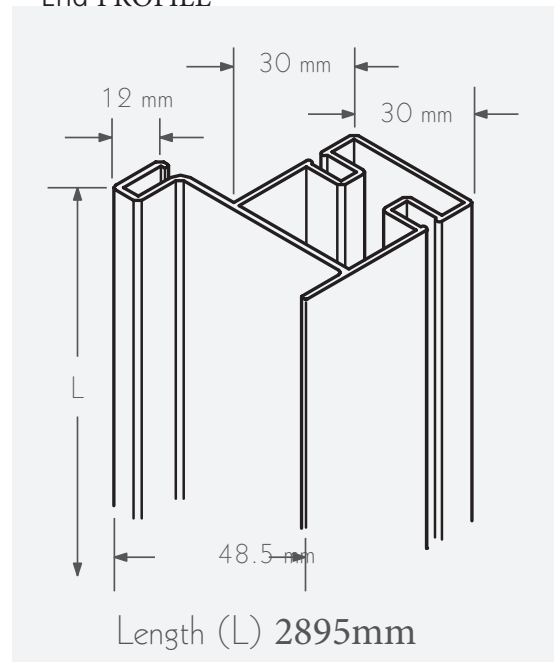
C-PROFILE



Vertical PROFILE

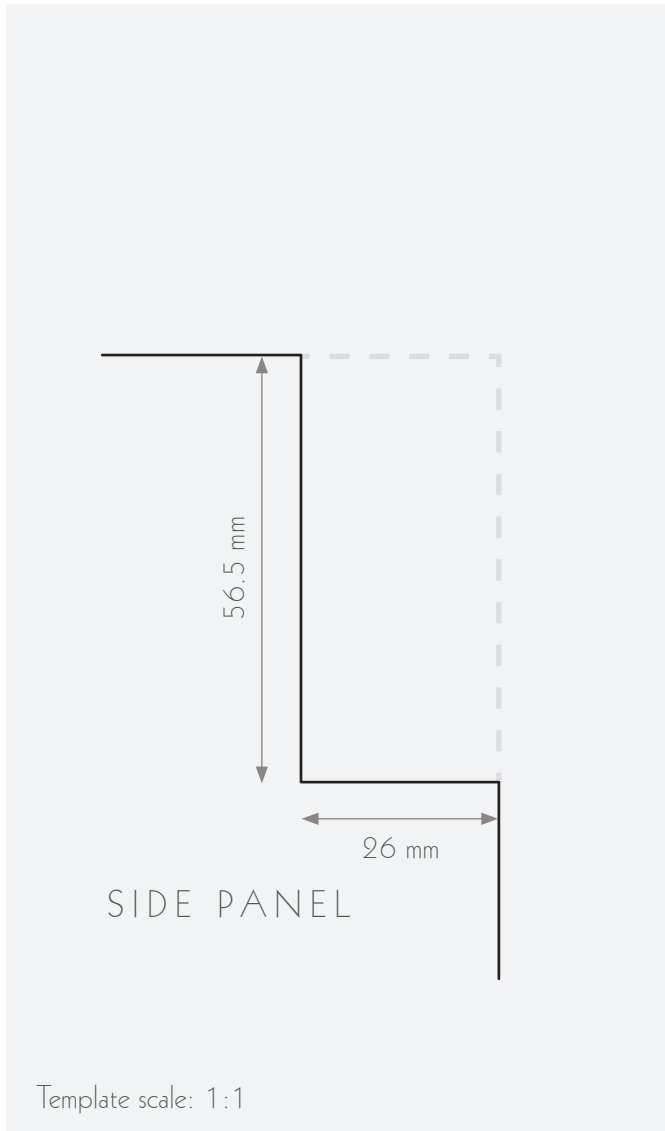


End PROFILE

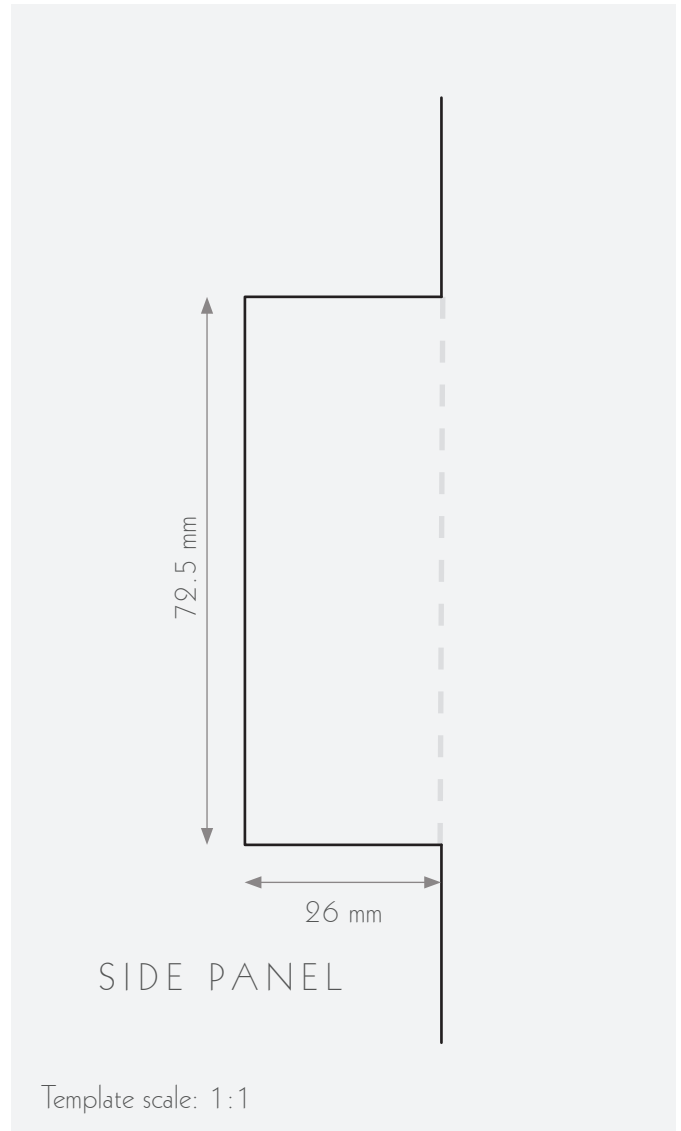


Router Templates

L-PROFILE



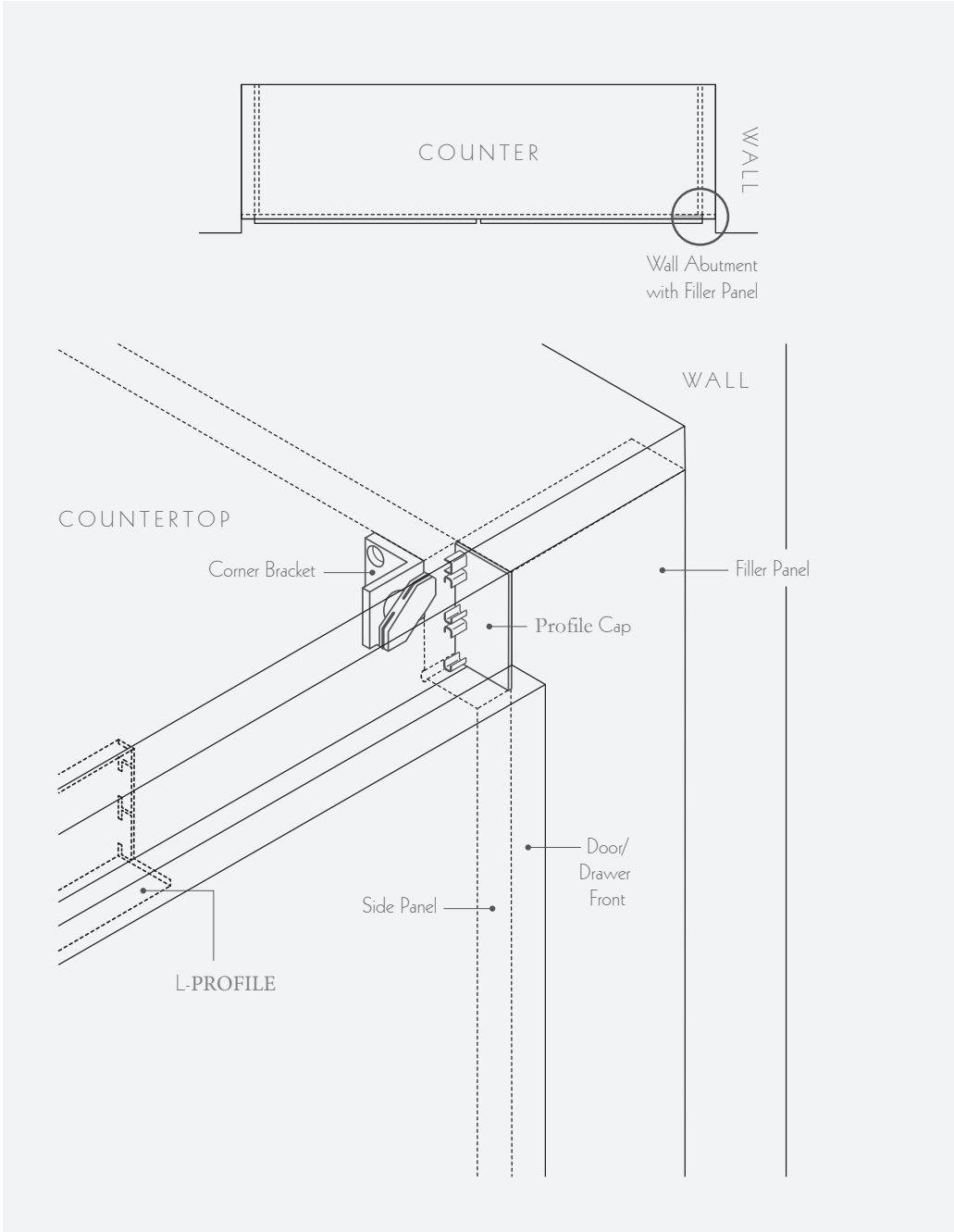
C-PROFILE



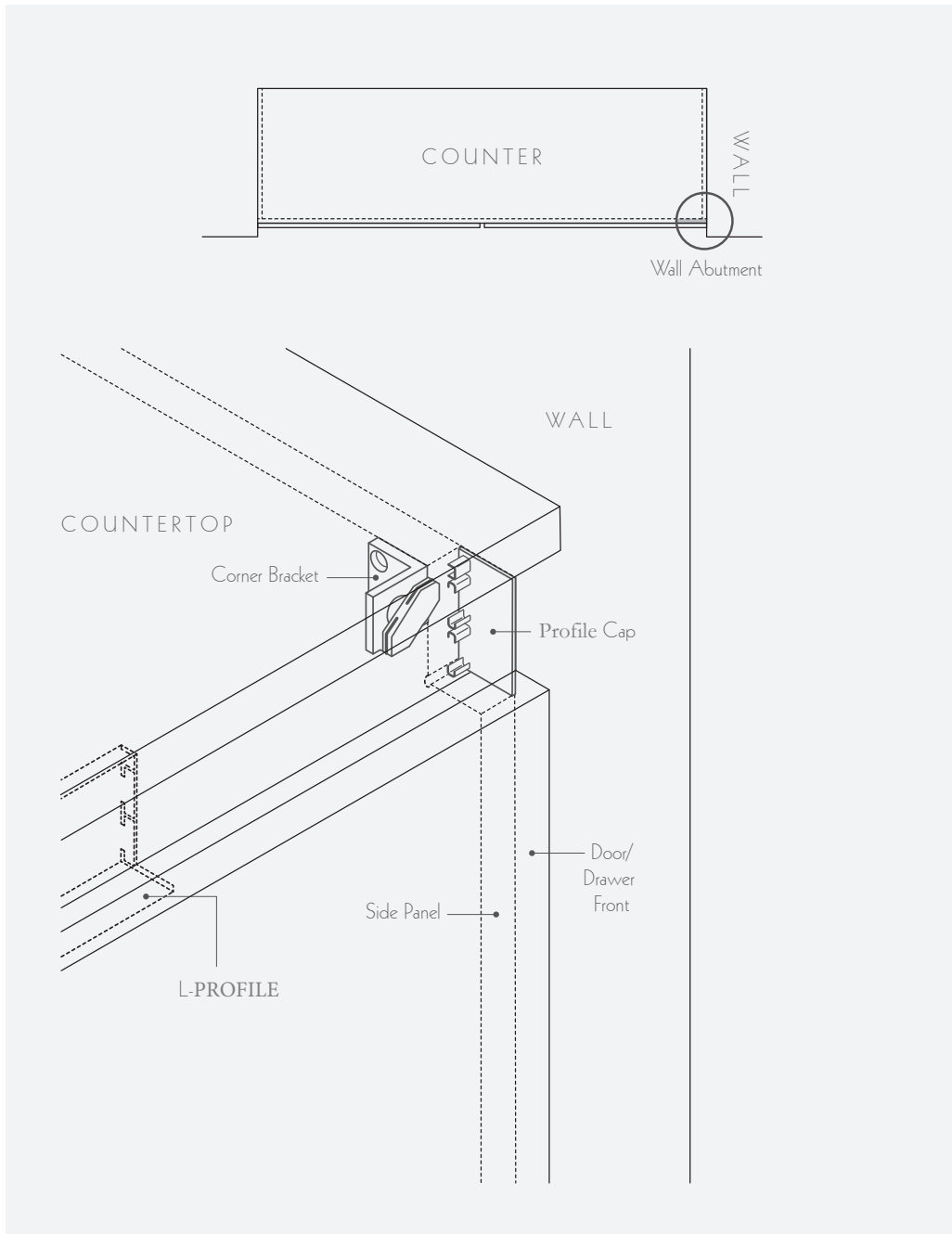
IMPORTANT NOTE:

Please be sure to print this PDF template at 100% (e.g., no "scale to fit" option selected in print dialog box) to ensure accuracy.

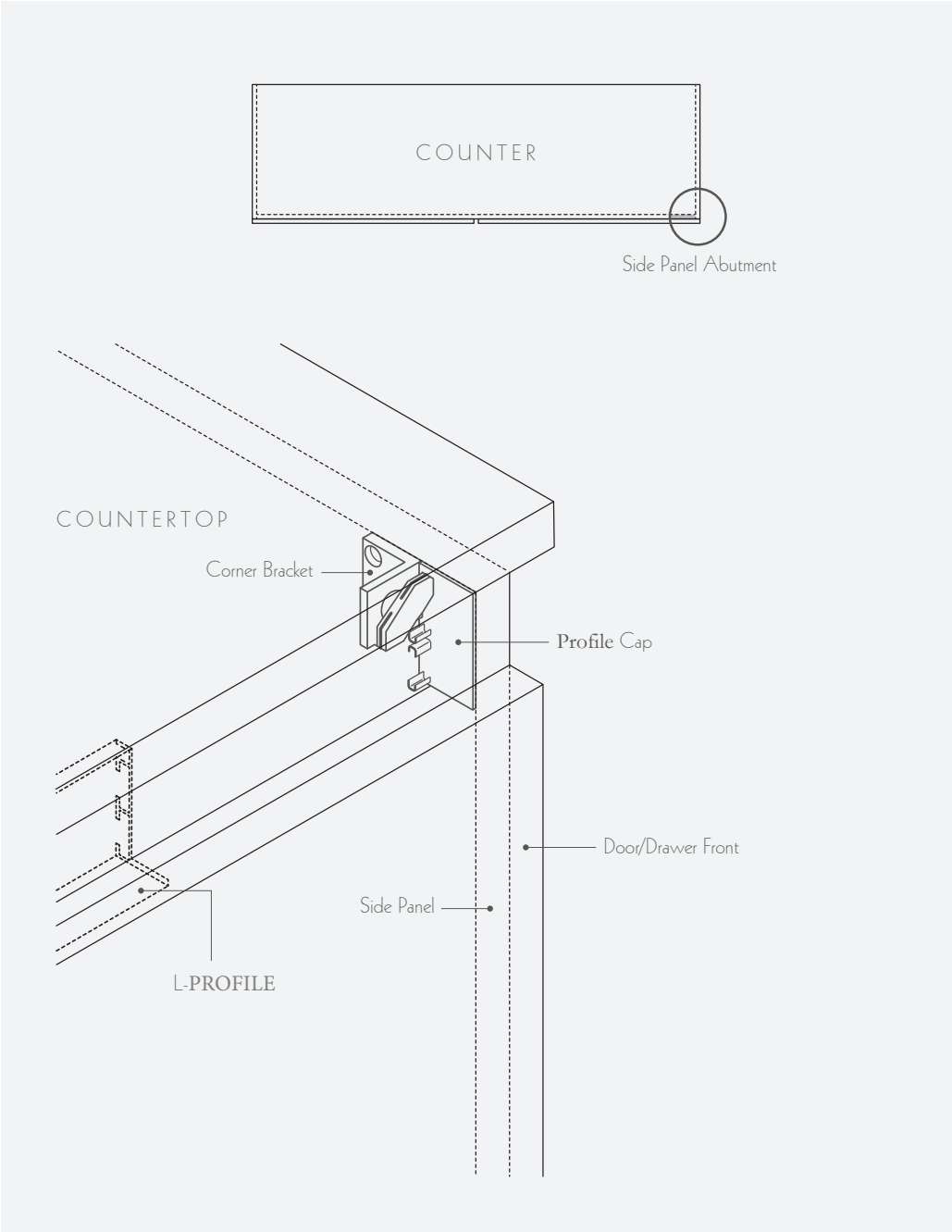
Wall Abutment with Filler Panel Detail



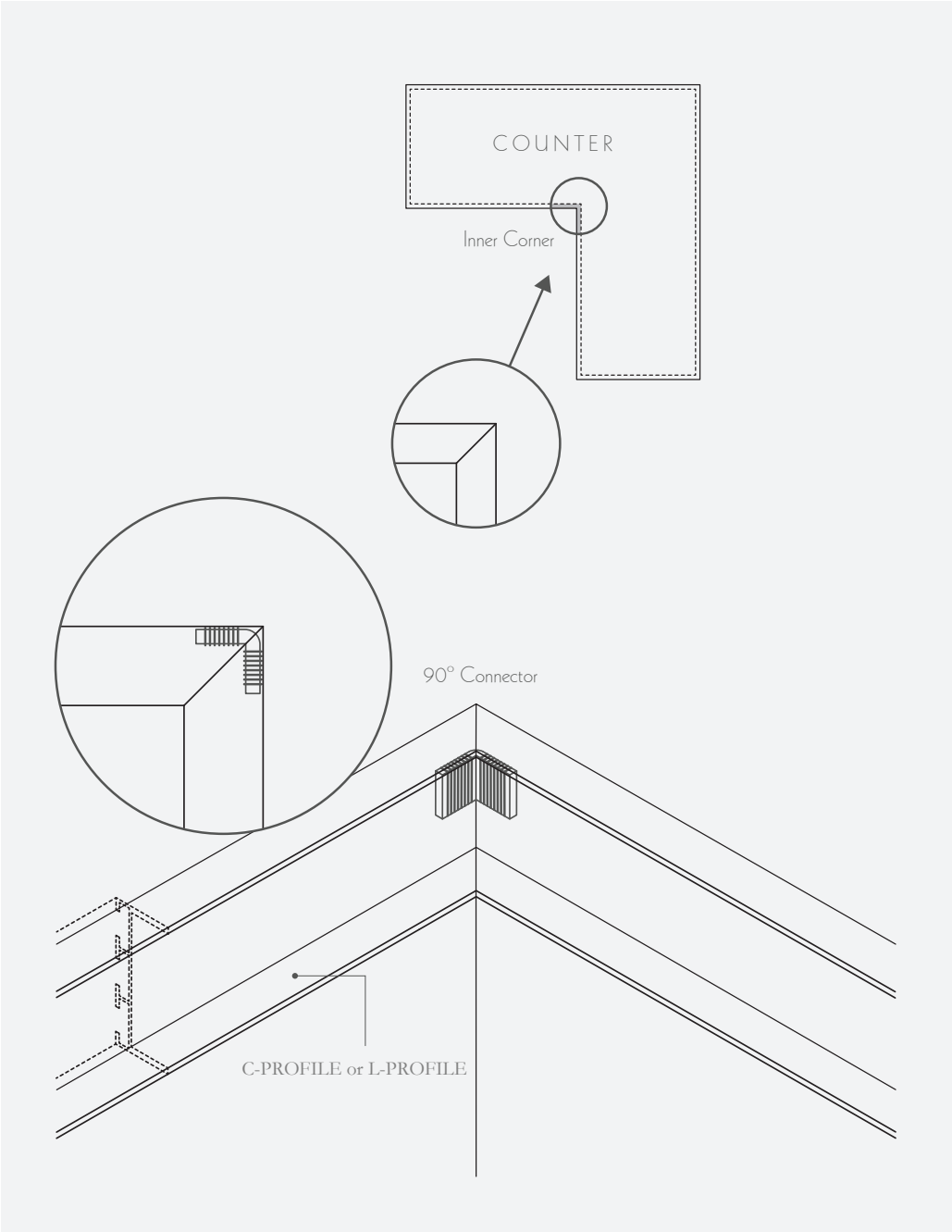
Wall Abutment Detail



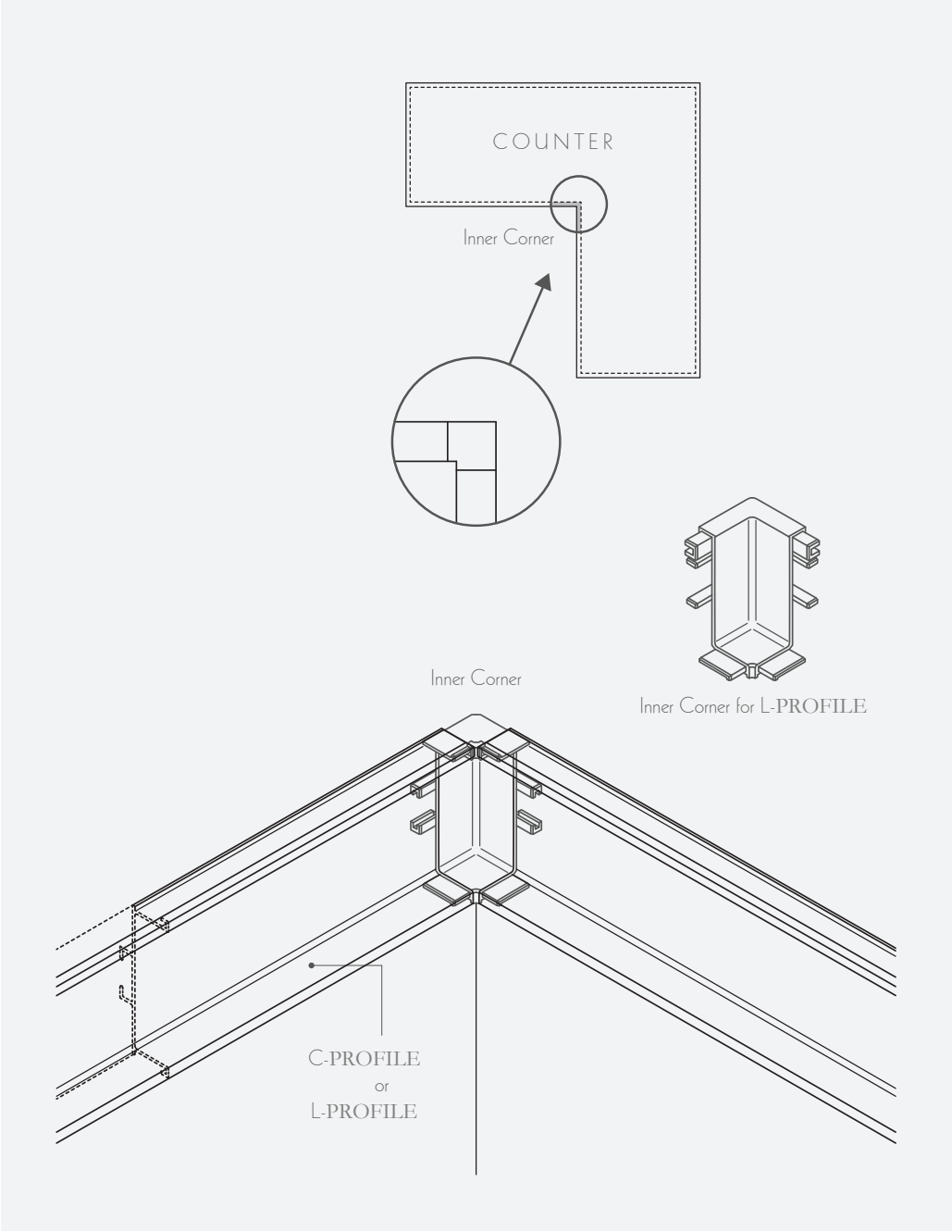
Side Panel Abutment Detail



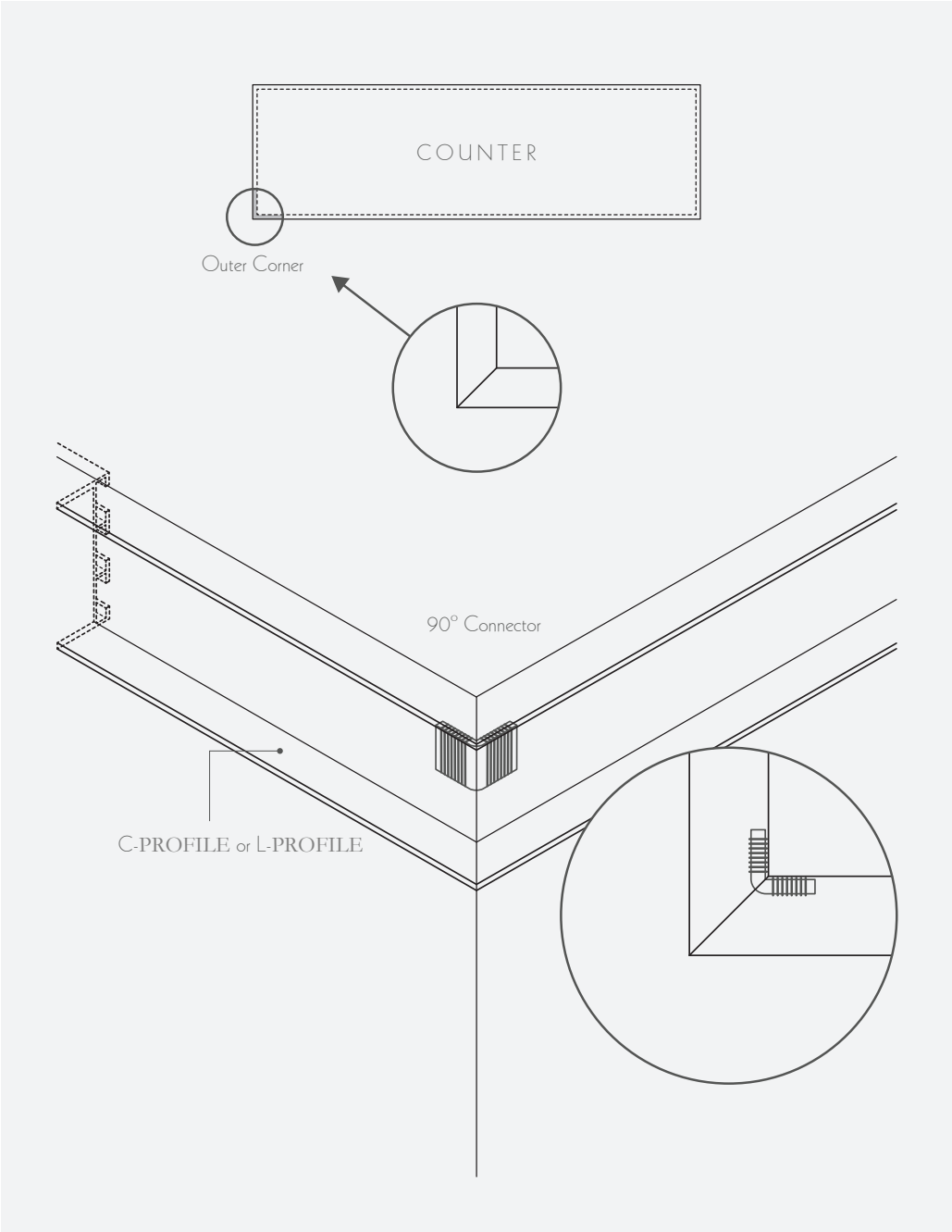
Mitered Inner Corner Detail



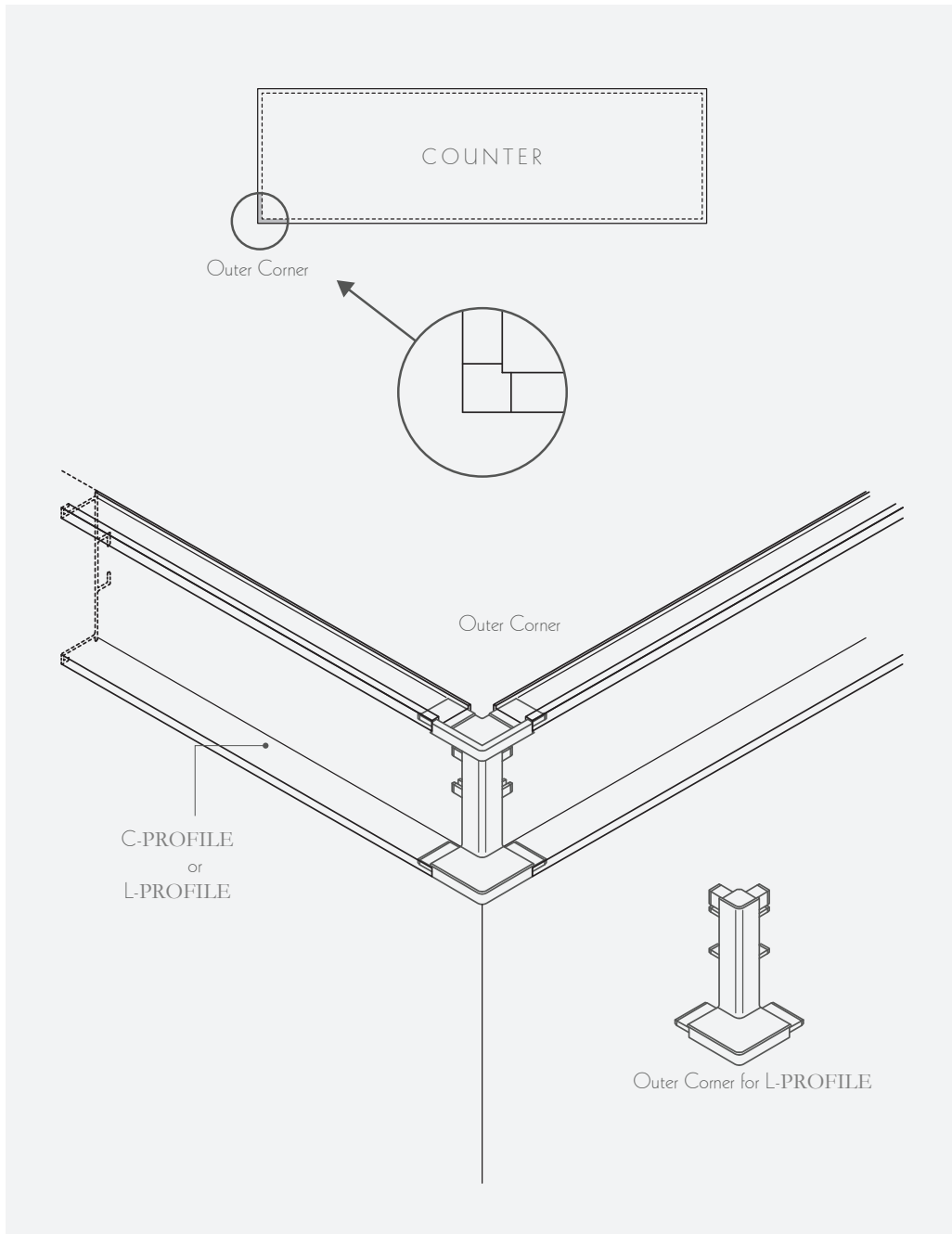
Straight Cut Inner Corner Detail



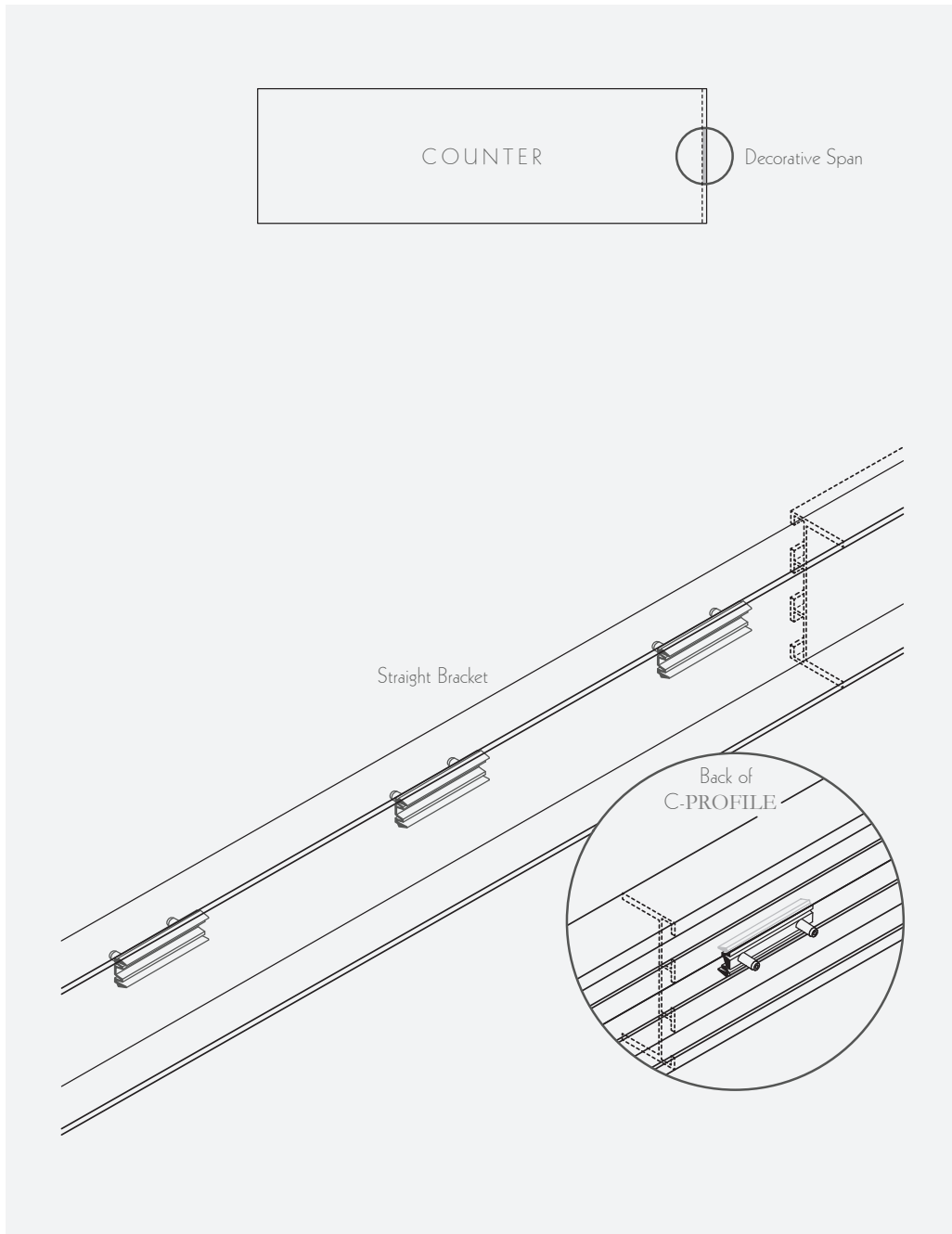
Mitered Outer Corner Detail



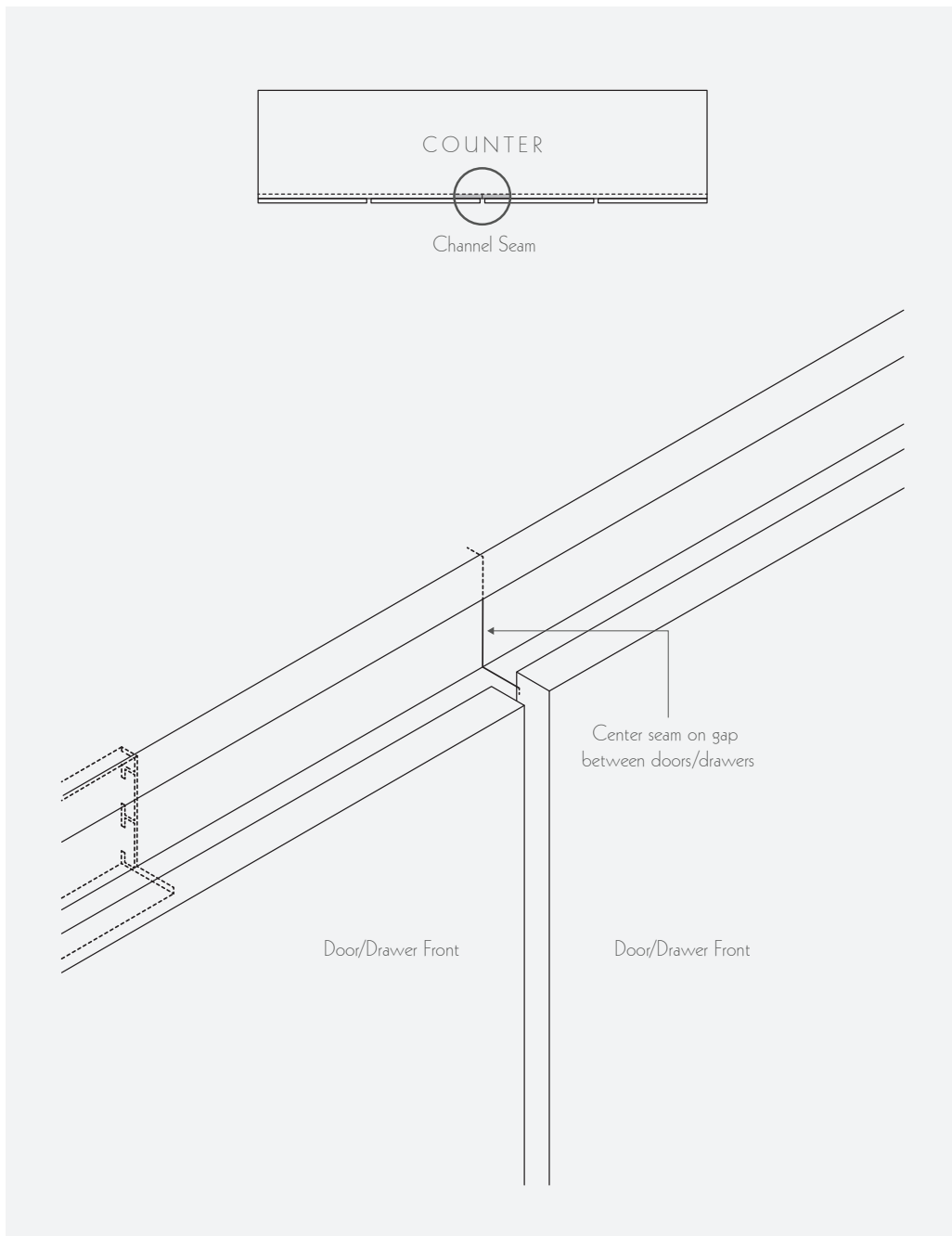
Straight Cut Outer Corner Detail



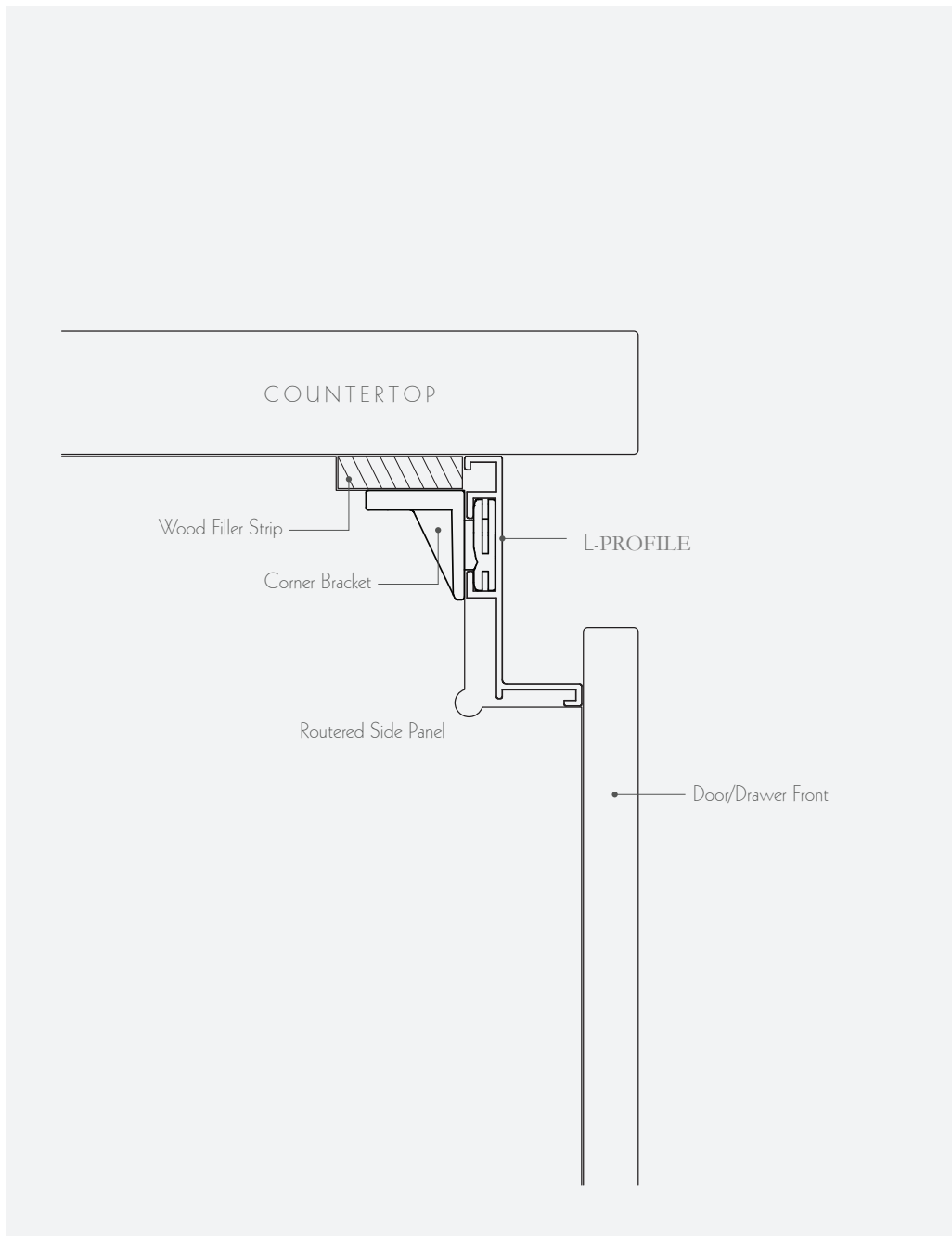
Decorative Span Detail



Seam Detail



L-Channel Installation Detail



Vertical Installation Detail

