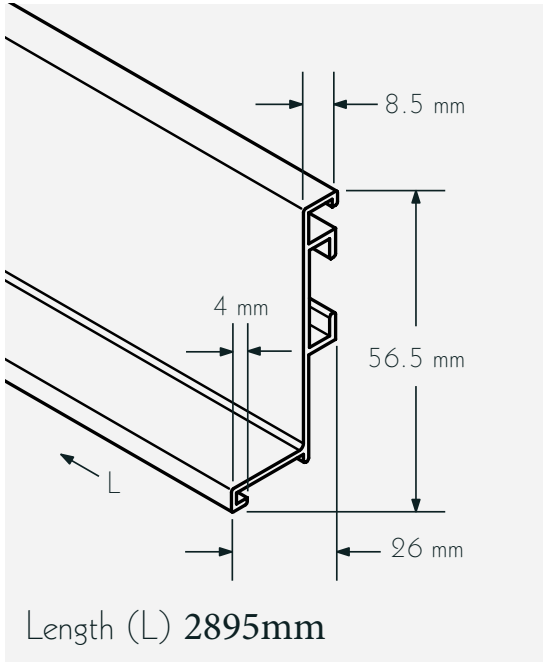


# Handle-Free Cabinet Hardware

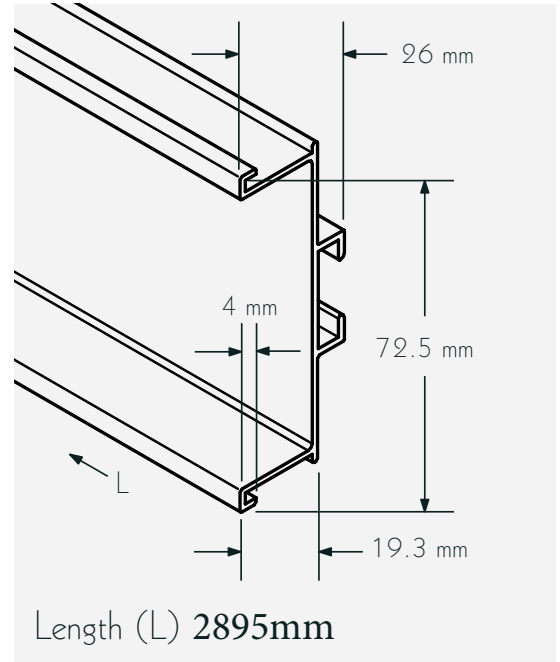


# PROFILES

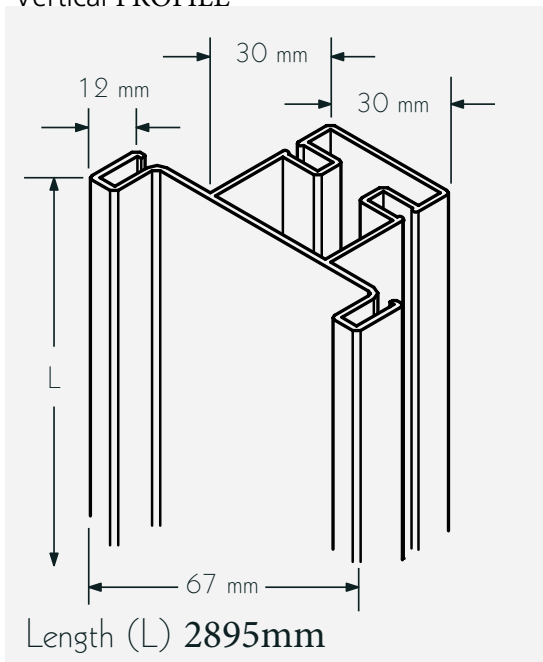
L-PROFILE



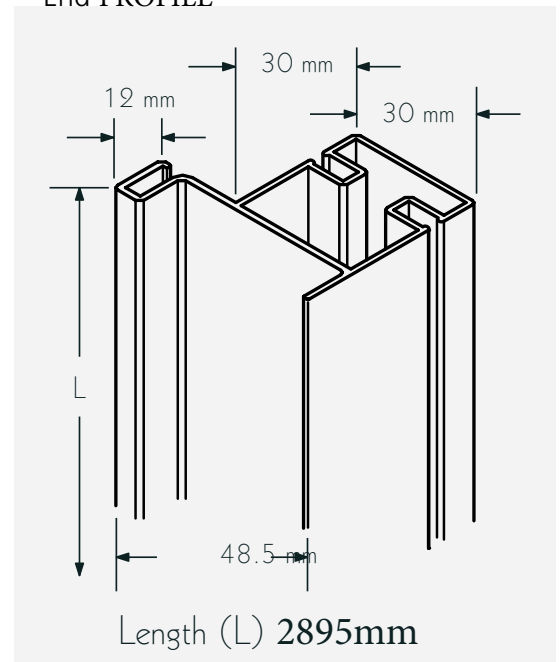
C-PROFILE



Vertical PROFILE

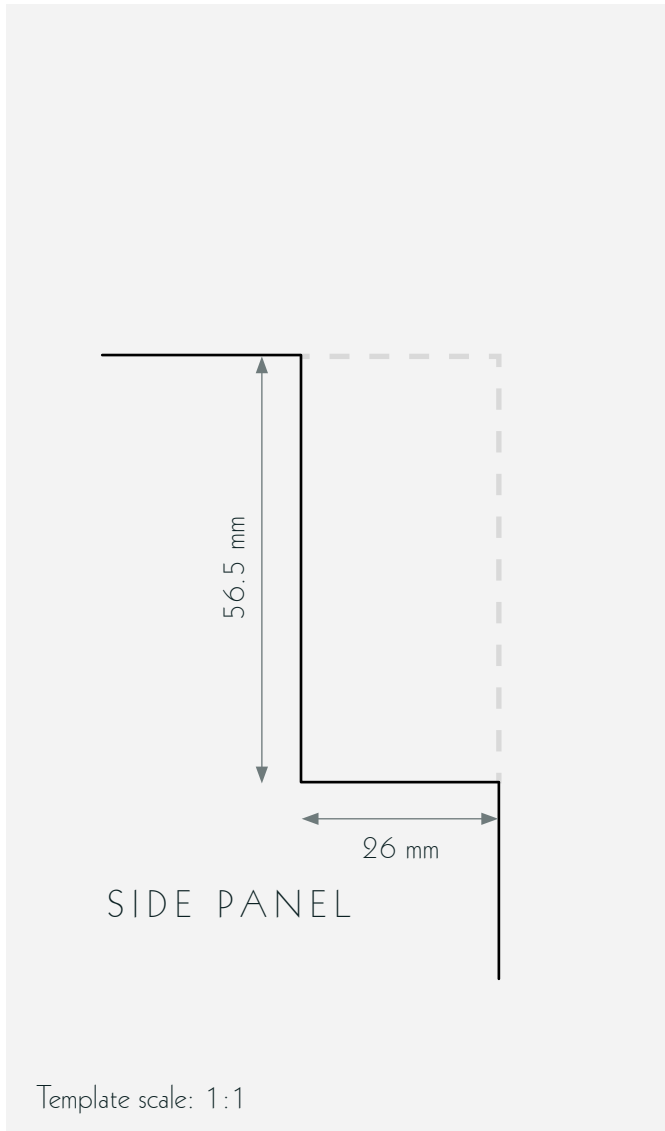


End PROFILE

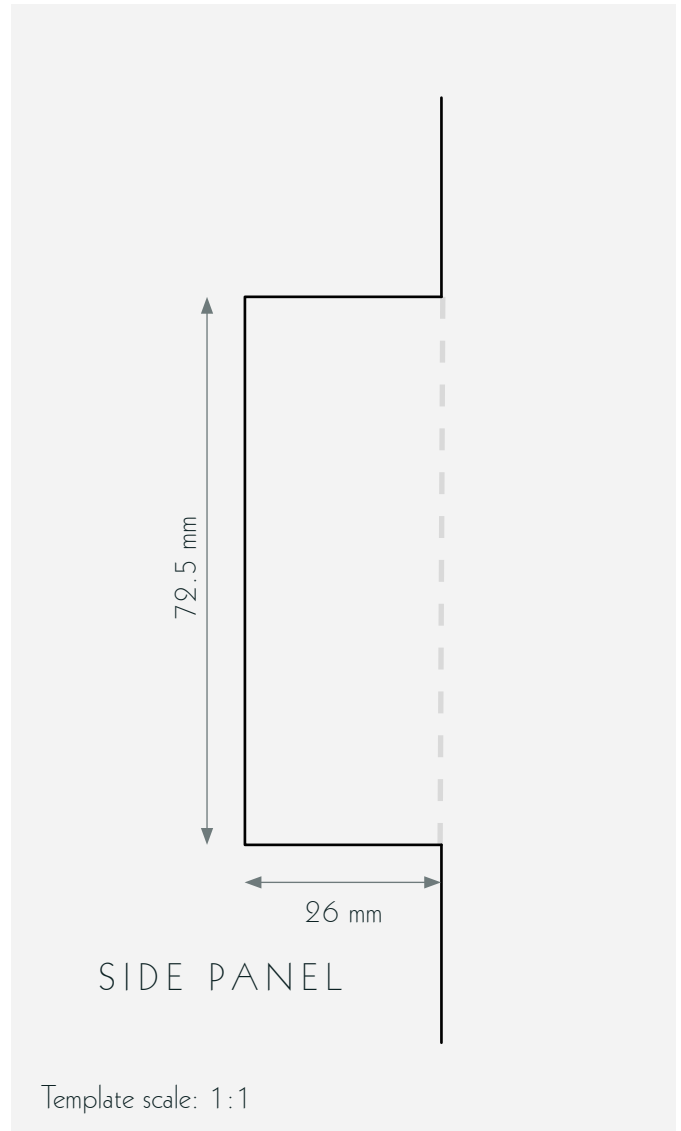


# Router Templates

L-PROFILE



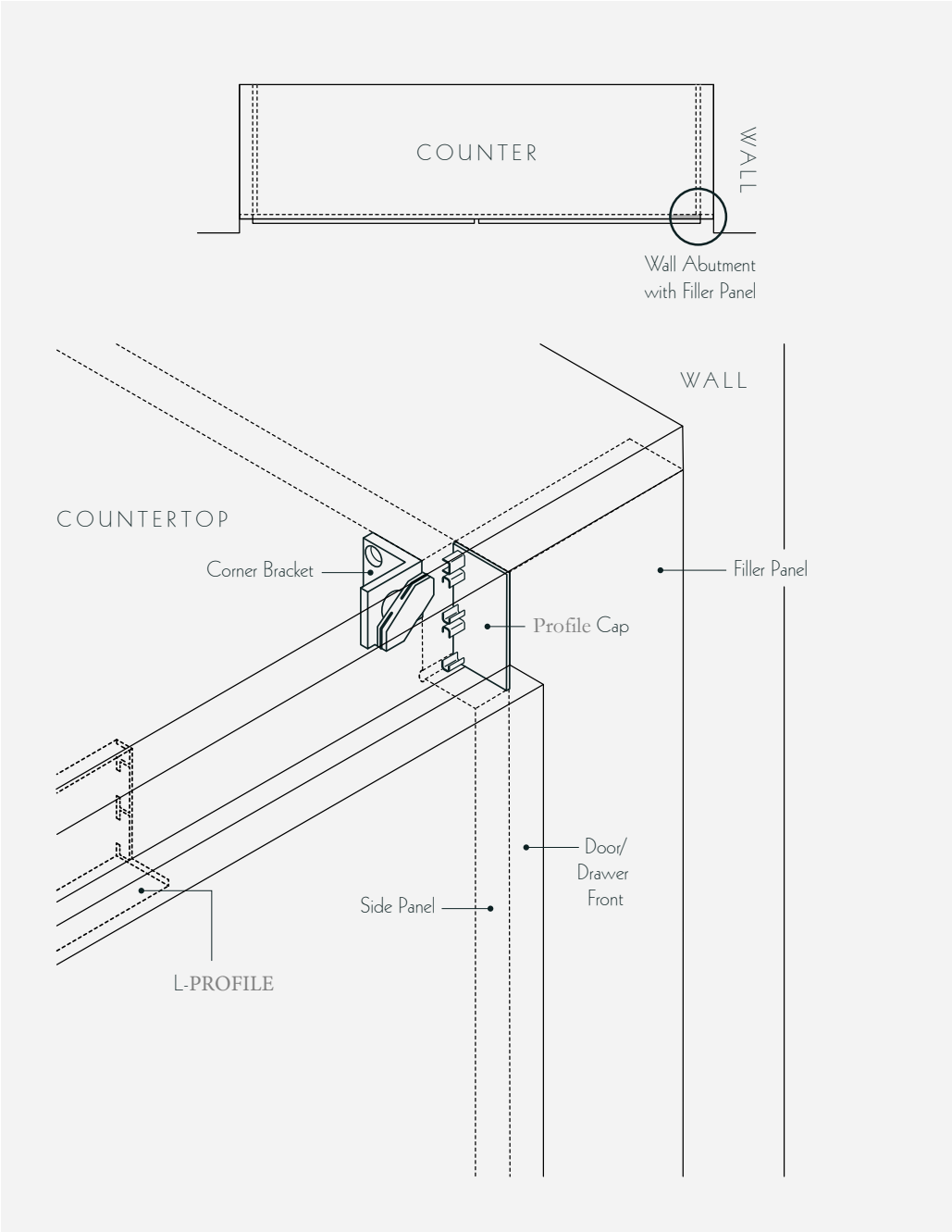
C-PROFILE



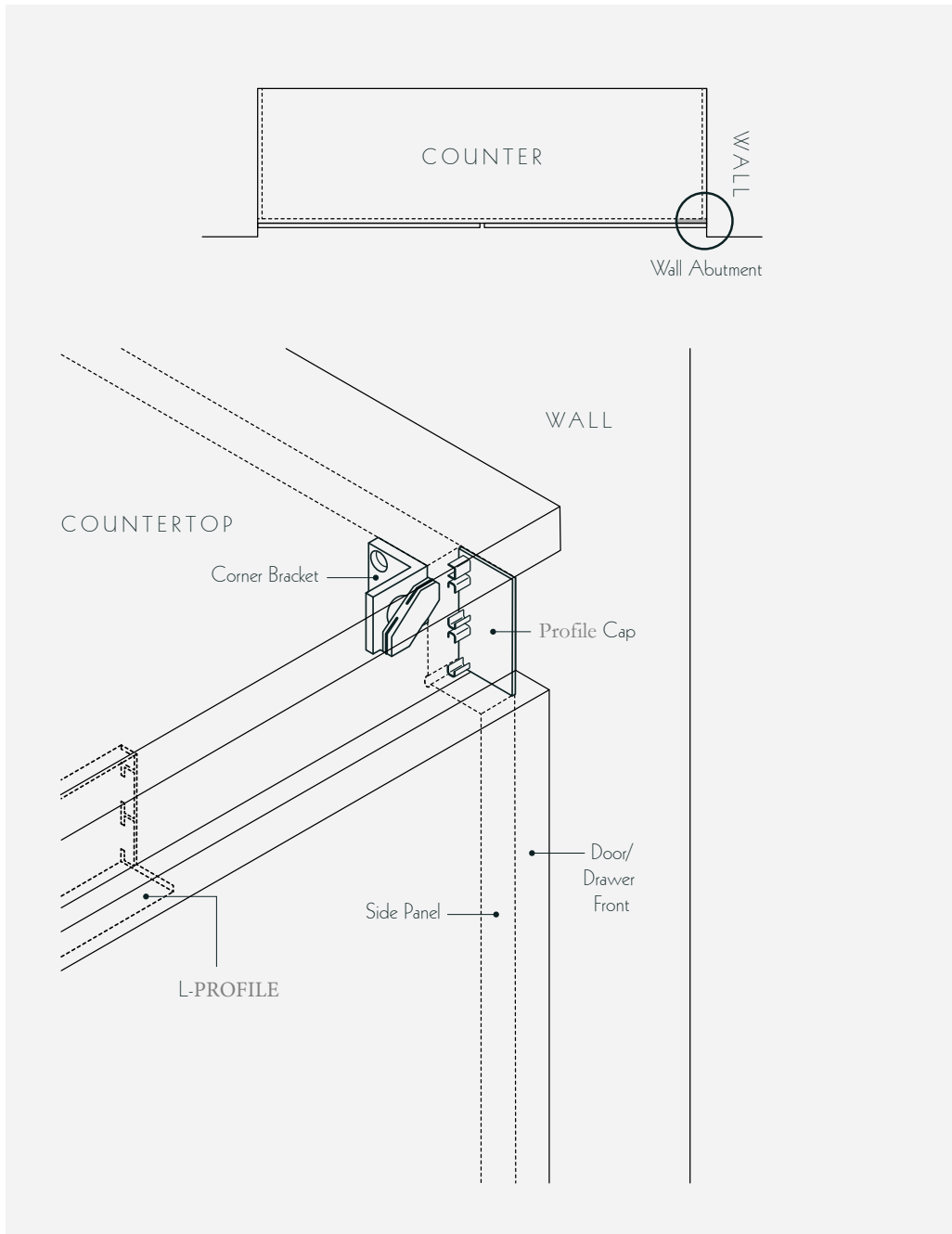
**IMPORTANT NOTE:**

Please be sure to print this PDF template at 100% (e.g., no "scale to fit" option selected in print dialog box) to ensure accuracy.

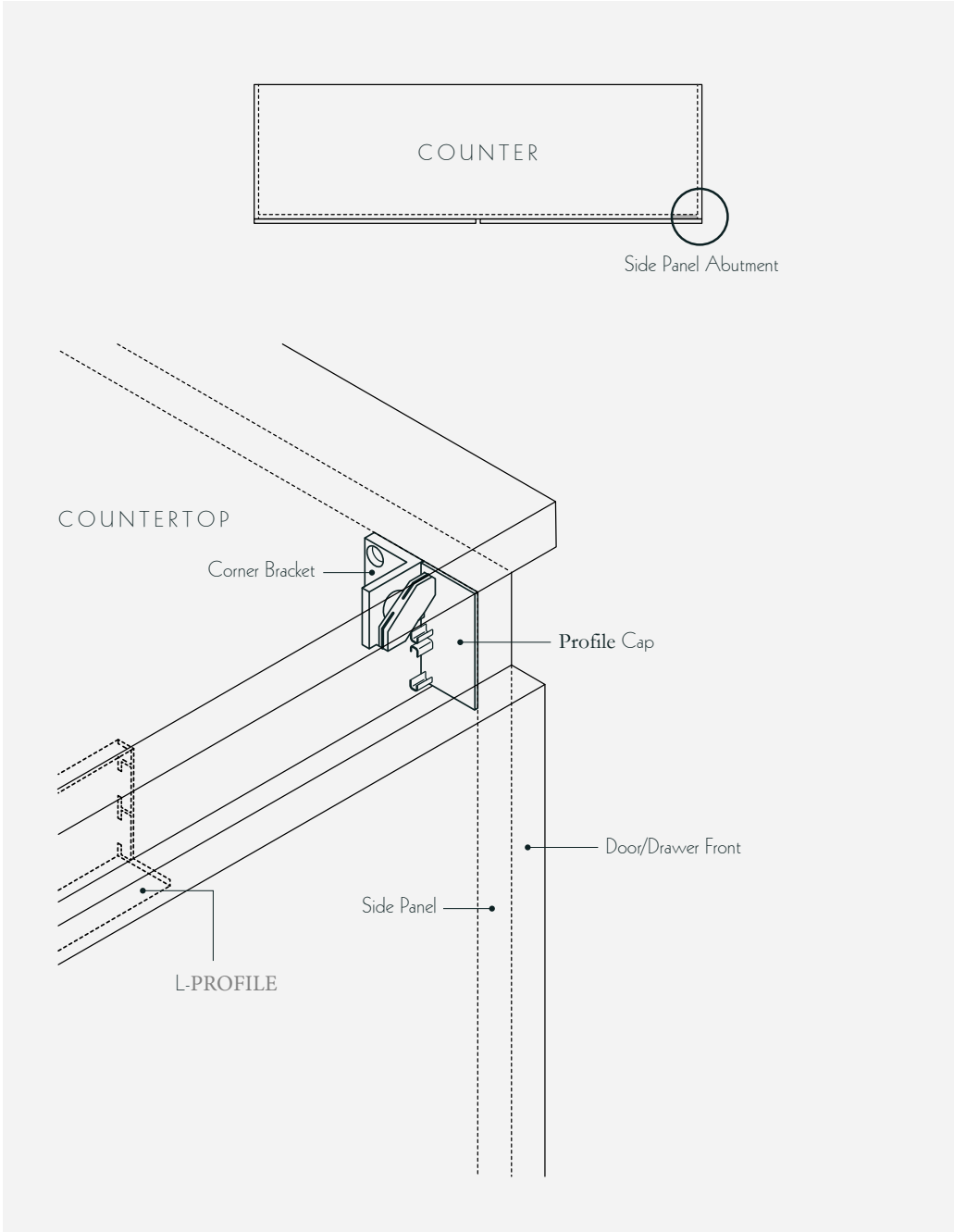
# Wall Abutment with Filler Panel Detail



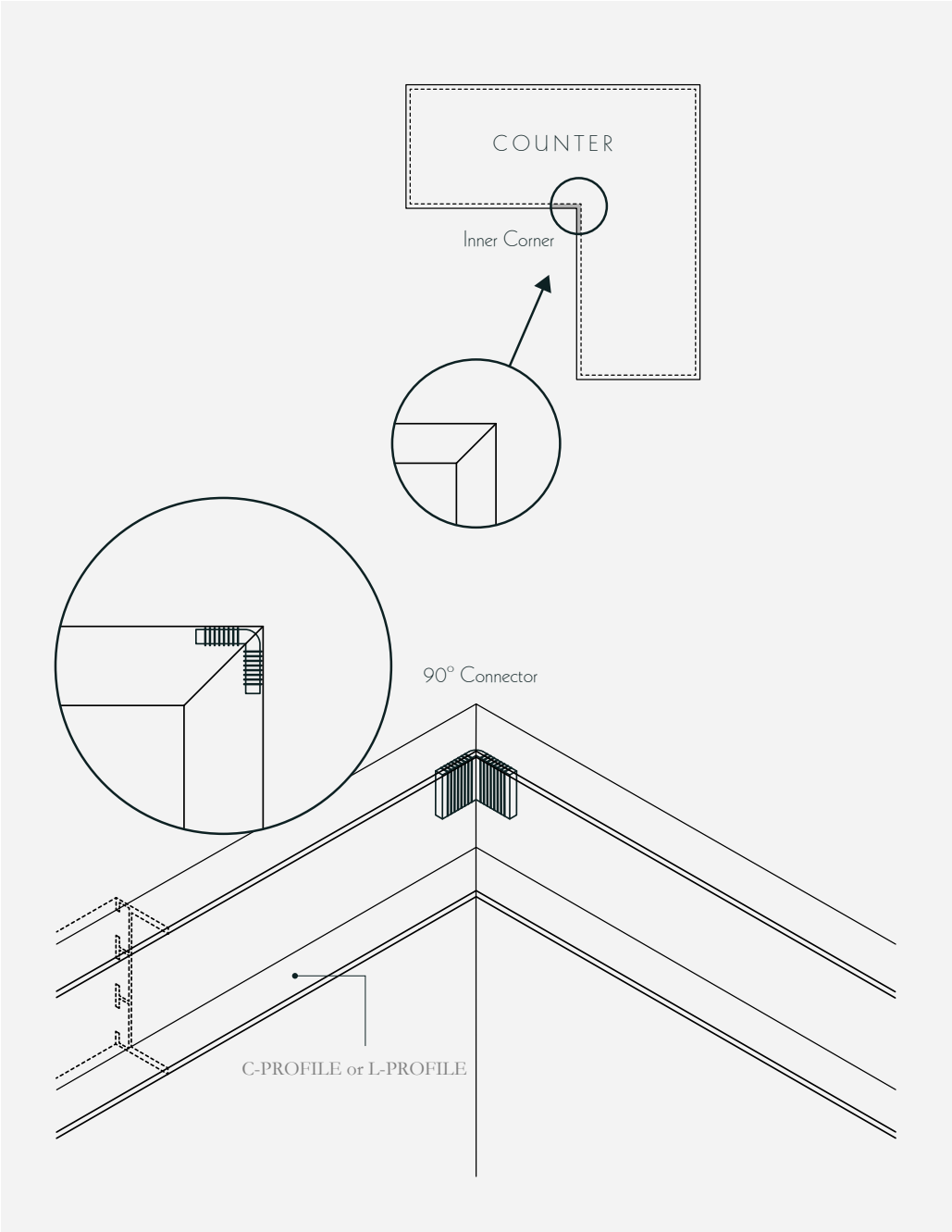
# Wall Abutment Detail



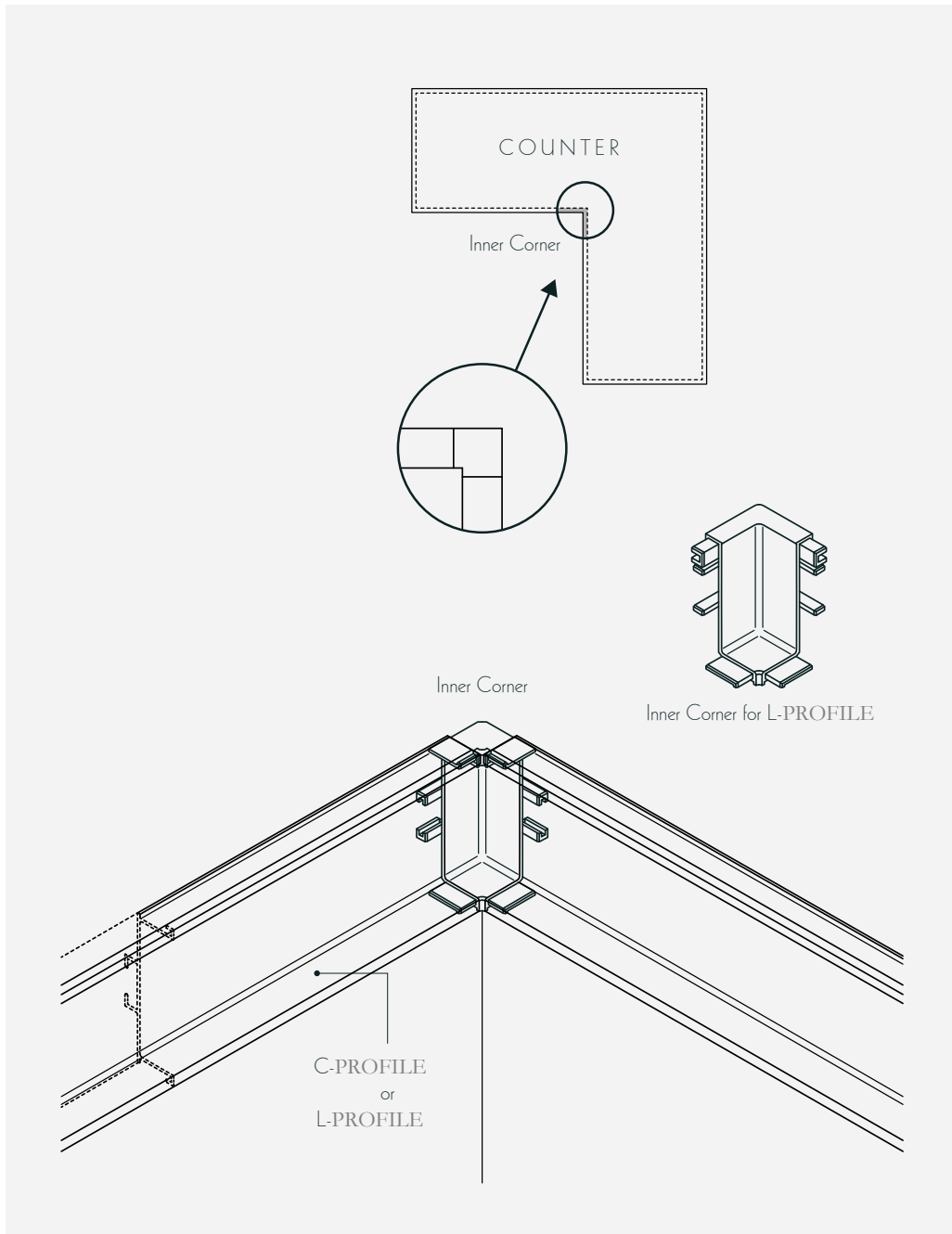
# Side Panel Abutment Detail



# Mitered Inner Corner Detail

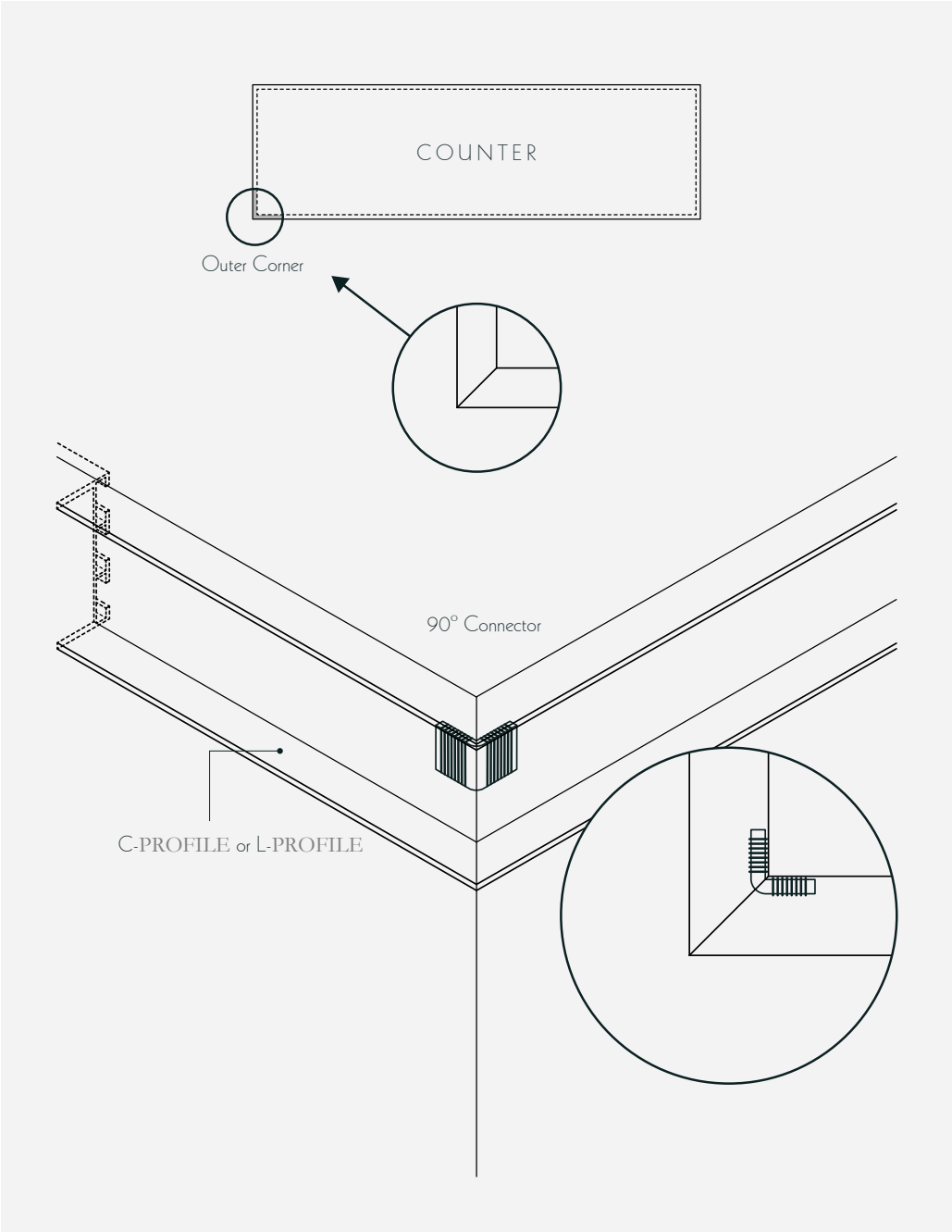


# Straight Cut Inner Corner Detail

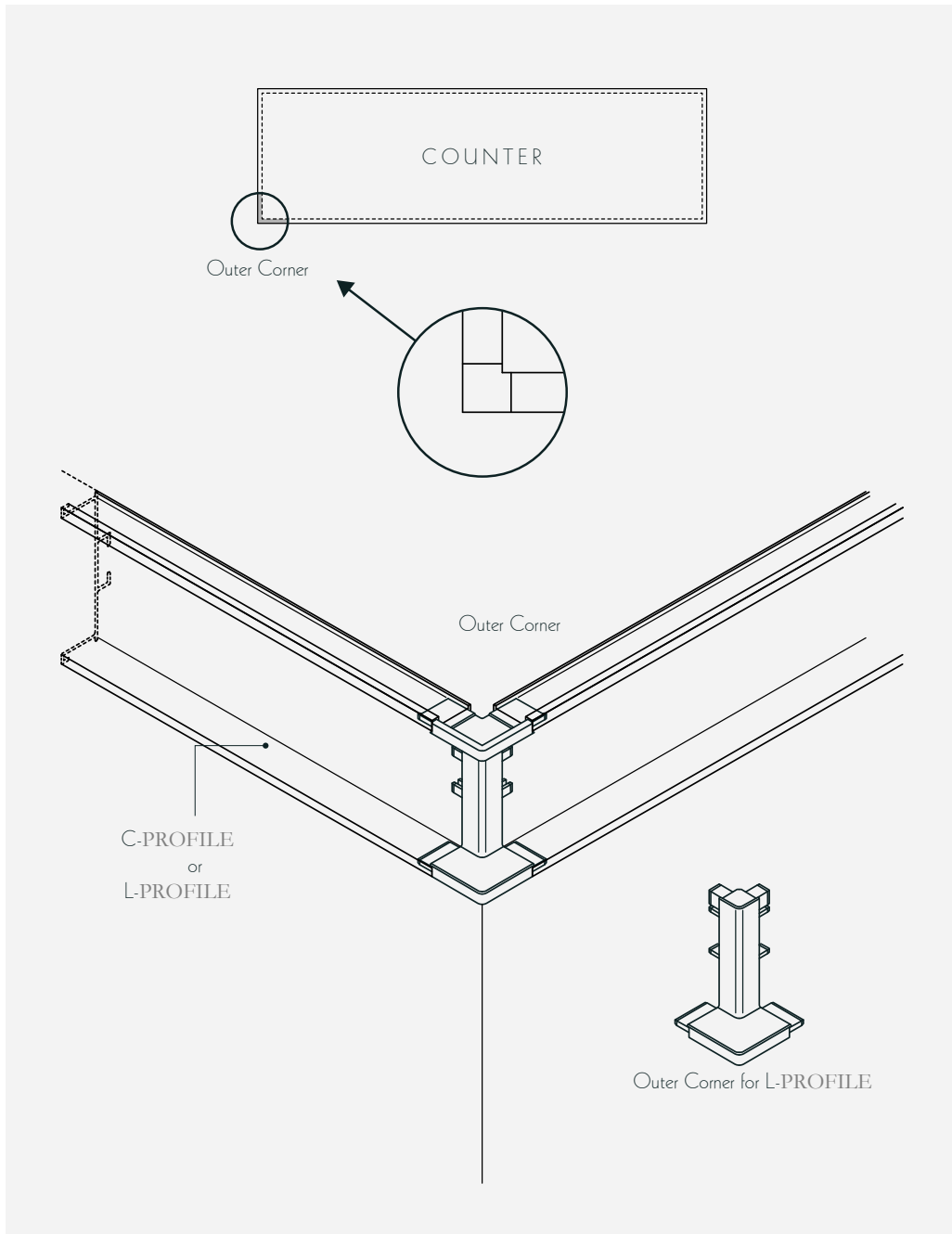




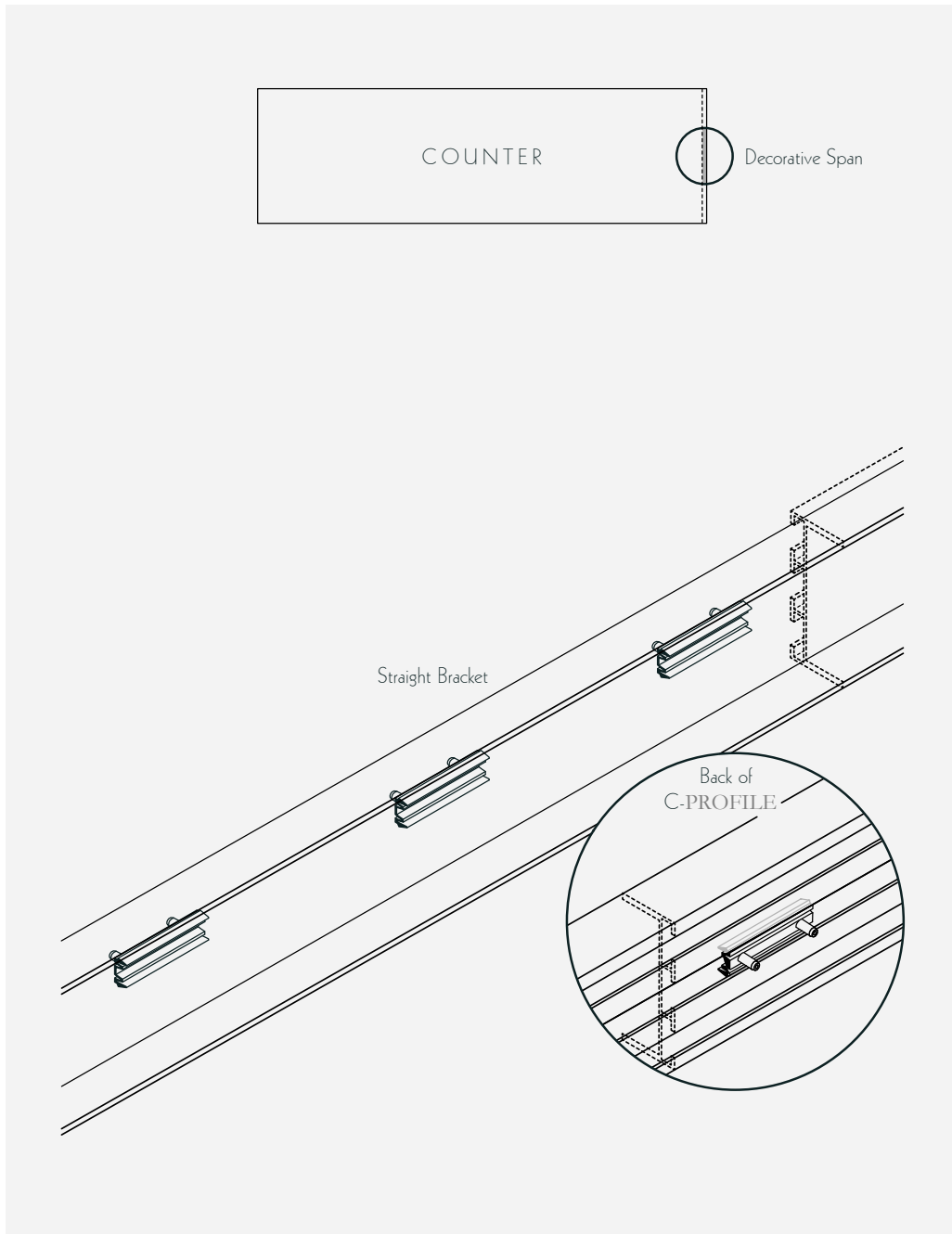
# Mitered Outer Corner Detail



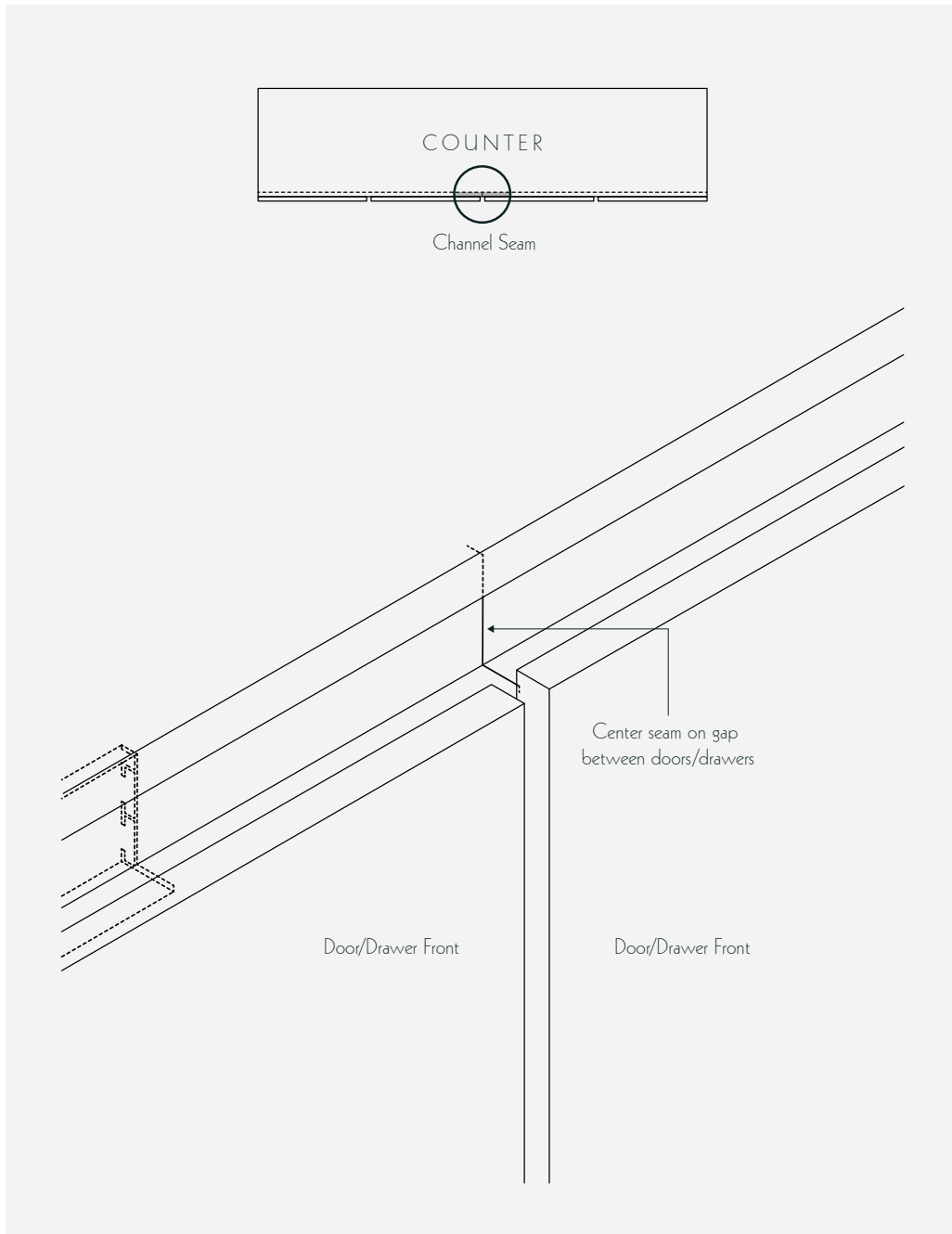
# Straight Cut Outer Corner Detail



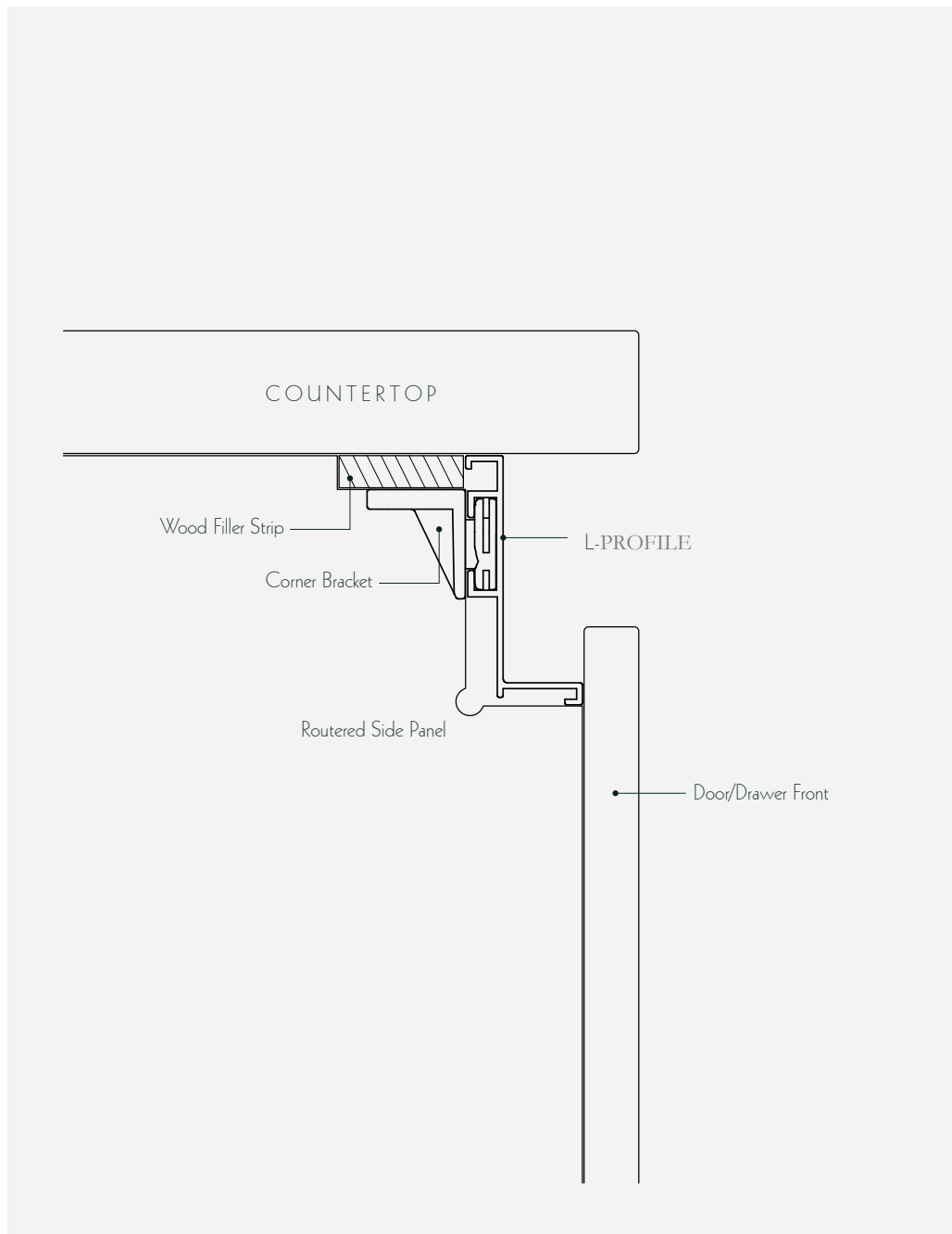
# Decorative Span Detail



# Seam Detail



# L-Channel Installation Detail



# Vertical Installation Detail

