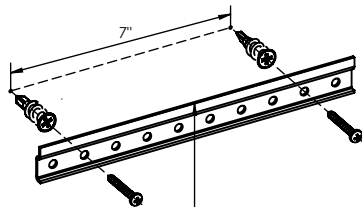
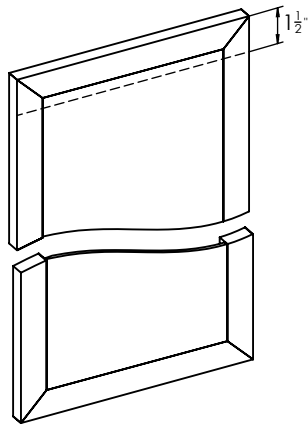


STEP 1: HOLD MIRROR AT DESIRED HEIGHT & MARK 1 1/2" DOWN FROM TOP

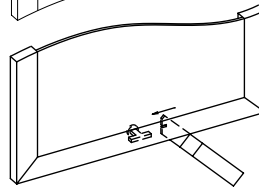
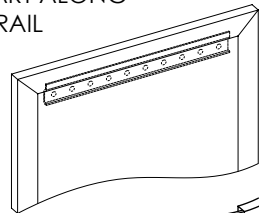


STEP 2: INSTALL TWO LARGE ANCHORS 7" APART ALONG MARK & MOUNT RAIL

46 ⁷/₁₆" (FROM TOP OF WALL RAIL)



STEP 3: PRE-DRILL HOLE, INSERT ANCHOR AND SCREW IN T-BOLT



STEP 5: USE CURVED TOOL TO ROTATE T-BOLT BEHIND MIRROR UNTIL IT CONTACTS INSIDE FRAME

STEP 4: HANG MIRROR TOP ON RAIL, LOWER BOTTOM OVER T-BOLT

