



833.89.126
833.89.127
833.89.128
833.89.129
833.89.058

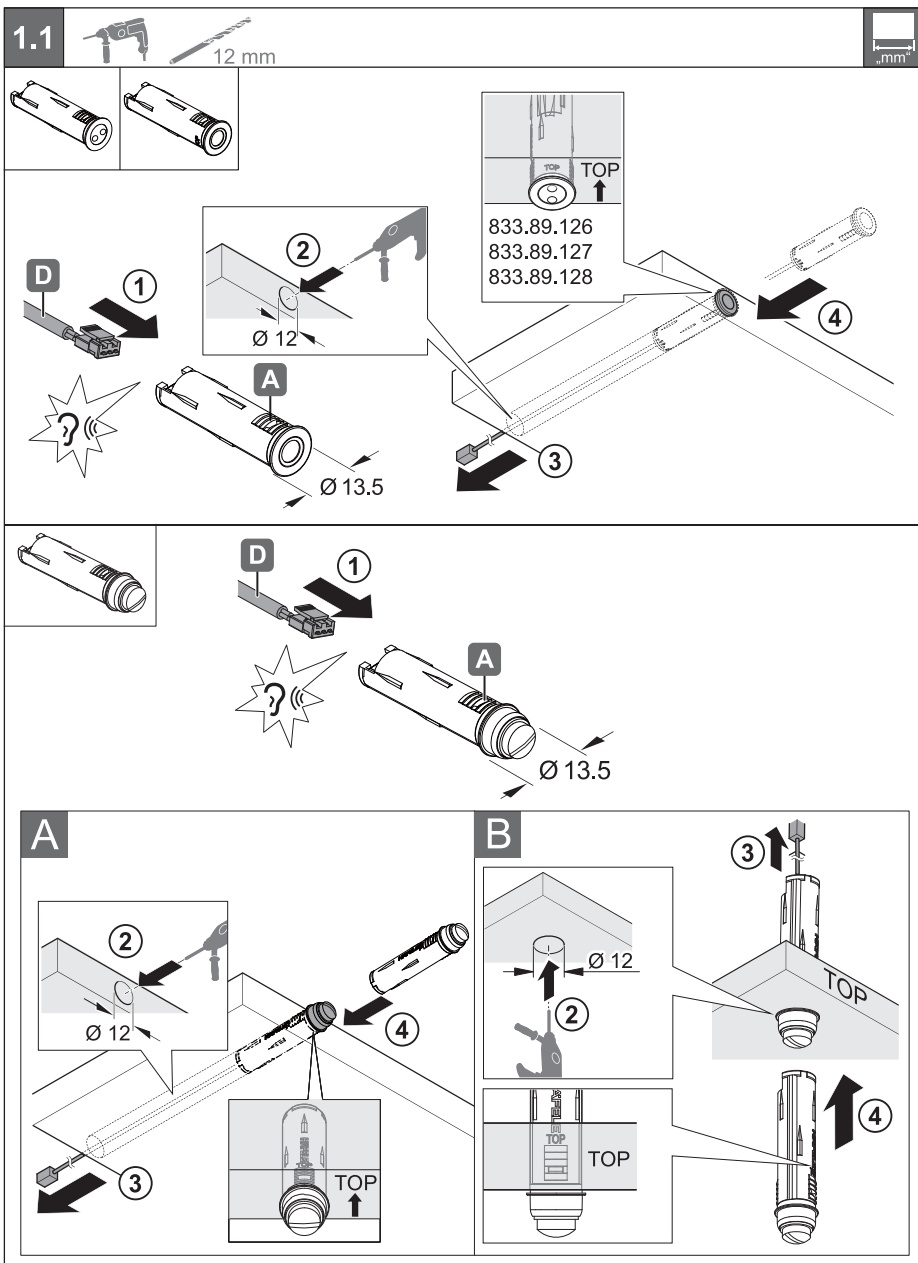
		d (mm)	T_A			
833.89.126		0 – 75	$-20\text{ }^{\circ}\text{C}$ $+45\text{ }^{\circ}\text{C}$ $-4\text{ }^{\circ}\text{F}$ $+113\text{ }^{\circ}\text{F}$	$\varnothing 13.5 \times 45.9$ $\varnothing 13.5 \times 45.9$ $\varnothing 13.5 \times 55.7$ $\varnothing 13.5 \times 45.9$	$\geq \varnothing 14.5$ $\times 55.9$ $\times 55.9$ $\times 65.7$ $\geq \varnothing 14.5$ $\times 55.9$	
833.89.127		0 – 75				
833.89.128		0 – 100				
833.89.129		0 – 3000				
833.89.058	N/A	N/A				

732.28.406

<p>833.89.126 833.89.127 833.89.128</p> <p>E $\varnothing 16$ (833.89.128)</p>	<p>833.89.129</p>								
<p>833.89.058</p>	<p>B </p> <p>C </p> <p>2x 833.89.092 </p>								
	<p>D </p> <p>x</p> <table border="1"> <thead> <tr> <th>X</th> <th></th> </tr> </thead> <tbody> <tr> <td>500</td> <td>833.89.140</td> </tr> <tr> <td>1000</td> <td>833.89.141</td> </tr> <tr> <td>2000</td> <td>833.89.142</td> </tr> </tbody> </table>	X		500	833.89.140	1000	833.89.141	2000	833.89.142
X									
500	833.89.140								
1000	833.89.141								
2000	833.89.142								

<p>i </p>	<p>100 - 240 V~</p>
------------------	---------------------

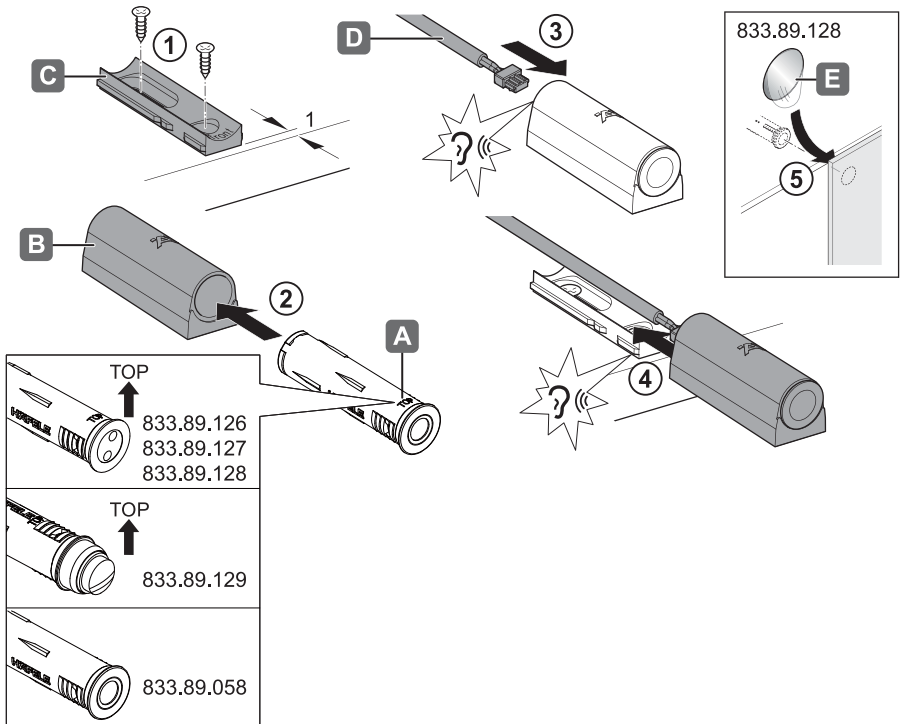
HDE 04/2017



732.28.406

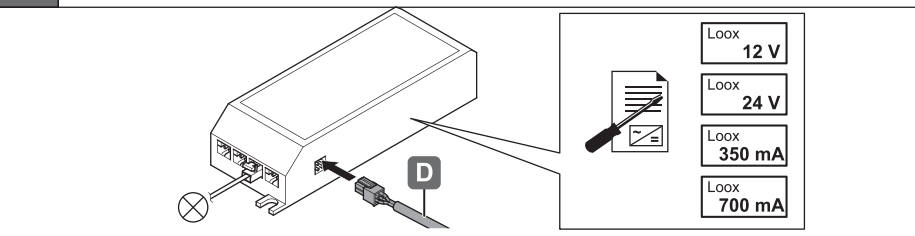
HDE 04/2017

1.2

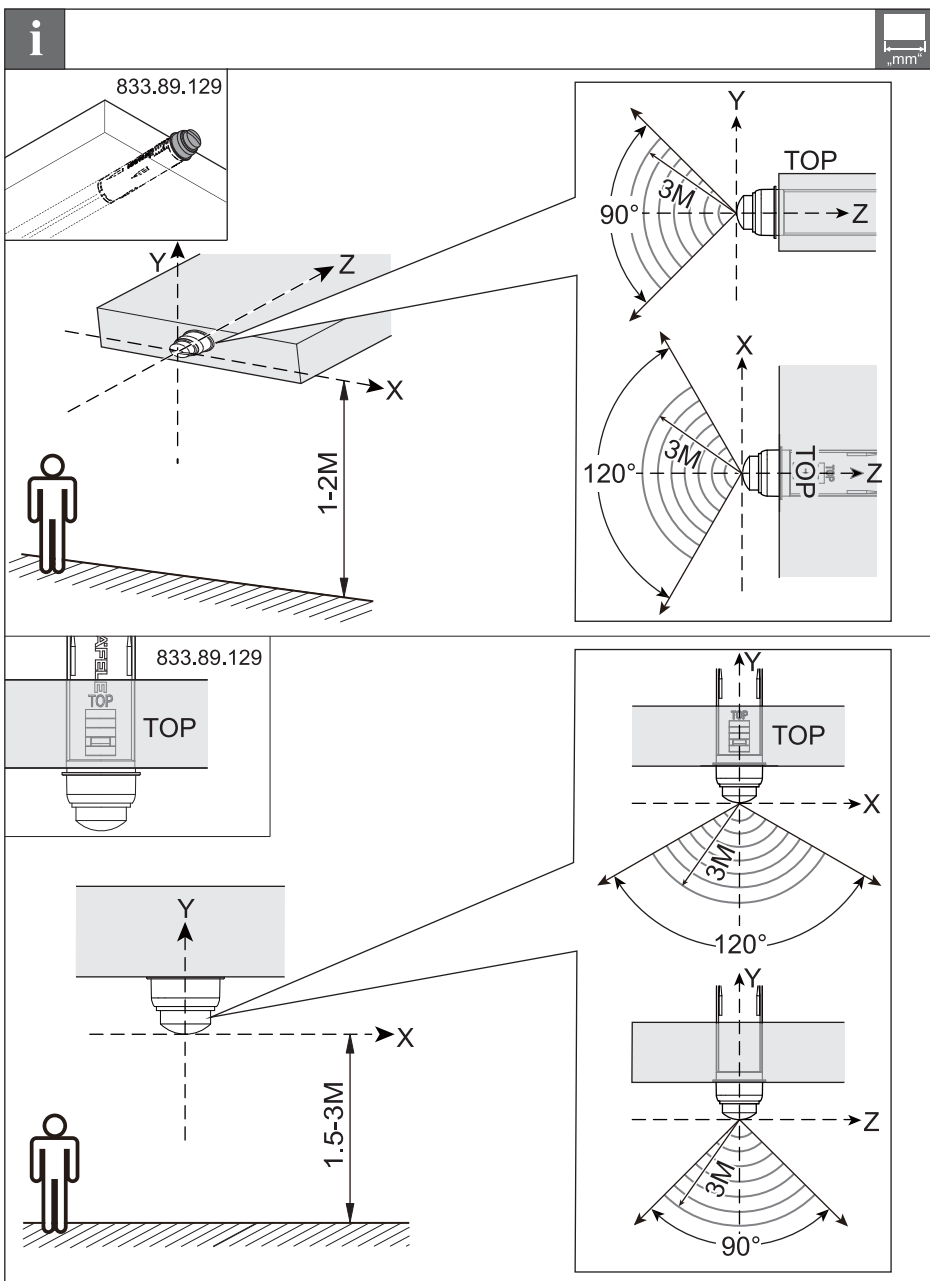


732.28.406

2



HDE 04/2017



732.28.406

HDE 04/2017