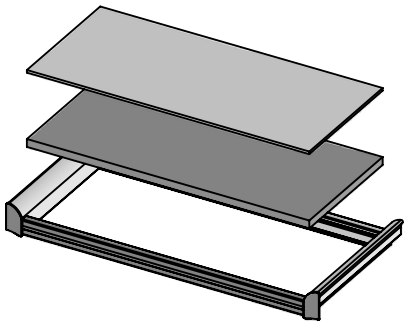
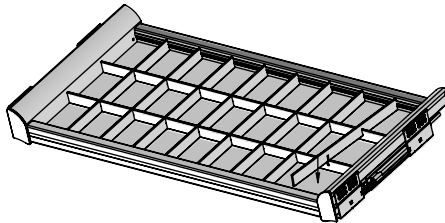


## FOLDING STATION CONFIG



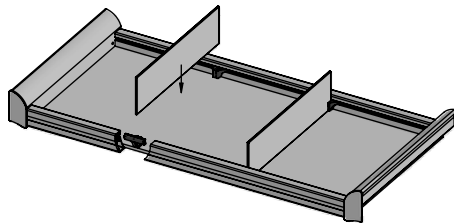
CUT AND PLACE A 3/4 INCH BASE INTO THE FRAME, THEN ADD THE FABRIC WRAPPED BASE ON TOP.

## JEWELRY ORGANIZER CONFIG



ADD A JEWELRY ORGANIZER INSERT INTO THE PULLOUT SHELF. REFER TO JEWELRY ORGANIZER INSTRUCTIONS FOR MORE.

## DIVIDED SHELF CONFIG



ADD SHELF DIVIDERS INTO THE PULL-OUT SHELF. REFER TO THE SHELF DIVIDER INSTRUCTIONS FOR MORE.

View How To Videos for more information.  
<https://www.youtube.com/user/TagHardware>