


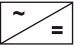

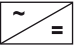






ESC 2001

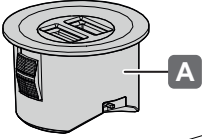
|            |            |
|------------|------------|
| 833.73.751 | 833.73.754 |
| 833.73.752 | 833.73.755 |
| 833.73.753 | 833.73.756 |

|  | W    | T <sub>A</sub>                    |  mm |  mm |  |  |
|--|------|-----------------------------------|--|--|---|--|
| 833.73.751 <input checked="" type="checkbox"/> | 15 W | -20 °C – +35 °C<br>-4 °F – +95 °F | Ø 40 x 25.4  | ≥ Ø 50 x 35.4  |  |  |
| 833.73.752 <input type="checkbox"/>            |      |                                   |  |  |   |  |
| 833.73.753 <input type="checkbox"/>            |      |                                   |  |  |   |  |
| 833.73.754 <input checked="" type="checkbox"/> |      |                                   | 40 x 40 x 25.4   | ≥ 50 x 50 x 35.4   |   |  |
| 833.73.755 <input type="checkbox"/>            |      |                                   |  |  |   |  |
| 833.73.756 <input type="checkbox"/>            |      |                                   |  |  |   |  |

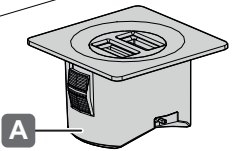
Loox  
**12 V**

732.28.237

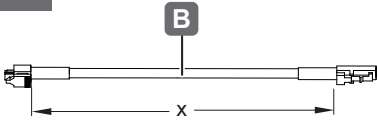


**A**



**A**

**+**

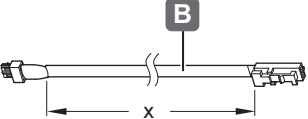


**B**

x

| x    |            |
|------|------------|
| 500  | 833.72.880 |
| 1000 | 833.72.881 |
| 2000 | 833.72.882 |

---





**B**

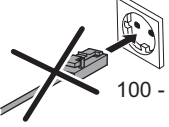
x

| x    |            |
|------|------------|
| 500  | 833.72.128 |
| 1000 | 833.72.129 |
| 2000 | 833.72.123 |

**i**

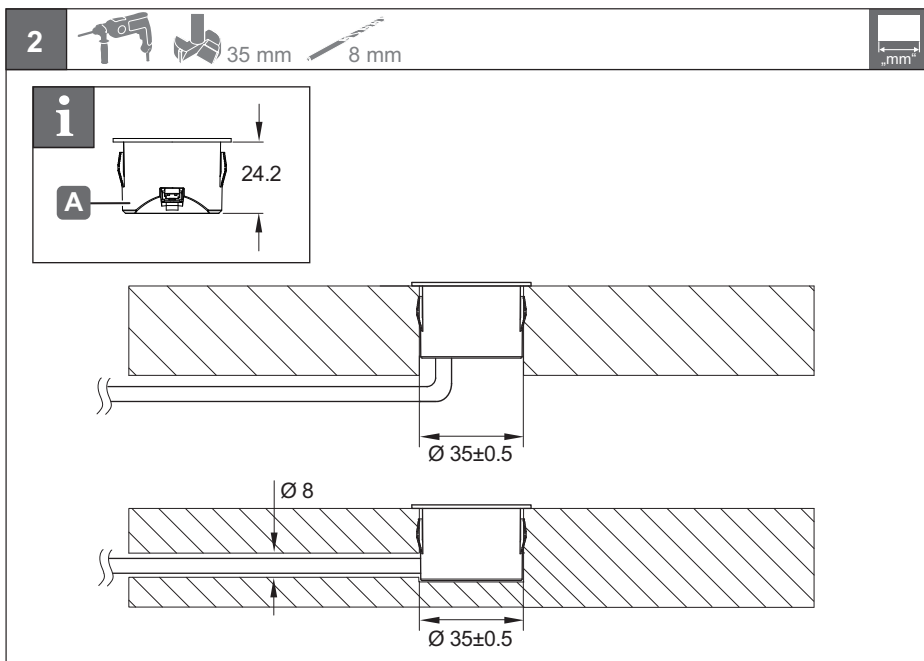
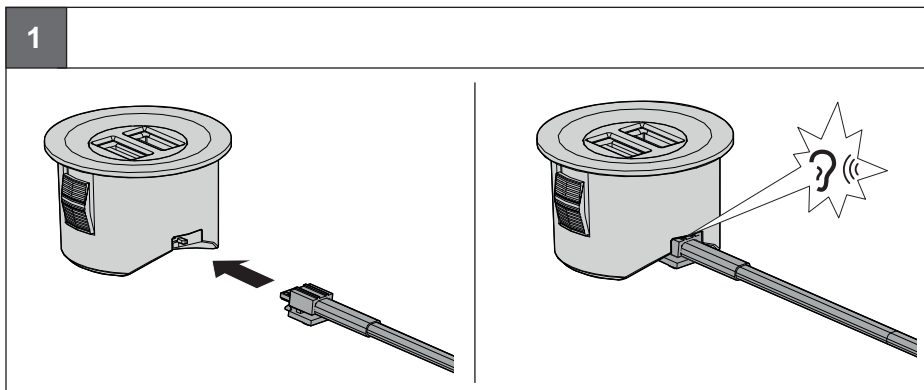




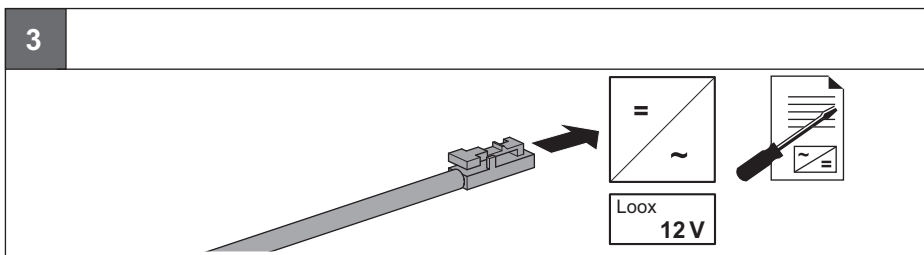


100 - 240 V~

HDE 04/2017



732.26.237



HDE 04/2017