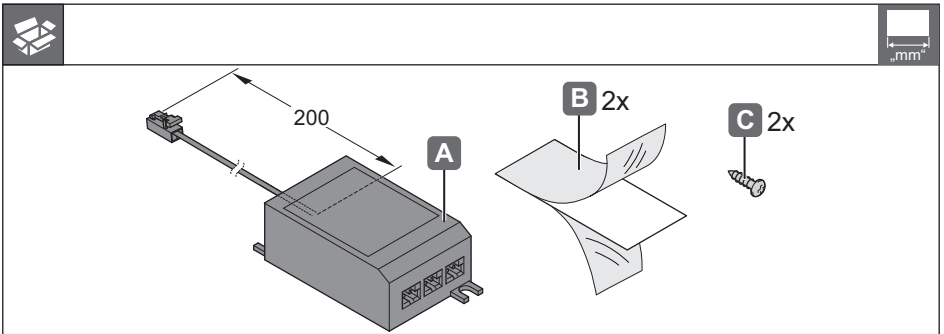


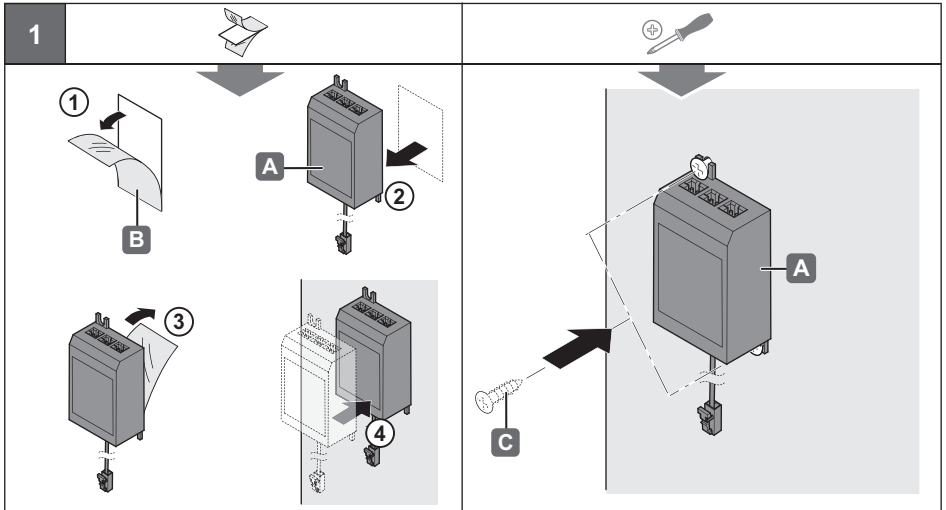


## Switch Distribution Box

		mm	mm	
833.74.751	12 V System	57 x 34 x 18	≥ 67 x 44 x 28	Loox <b>12 V</b>
833.77.723	24 V System			Loox <b>24 V</b>

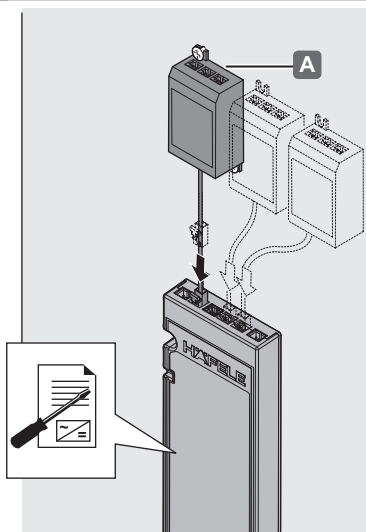


732.28.407



HDE 05/2017

2

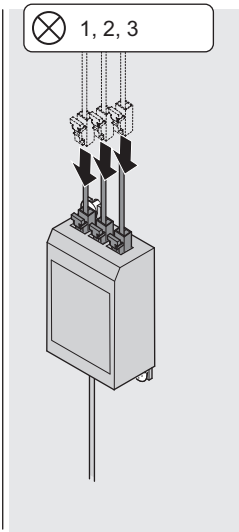


3

⊗<sub>1</sub> = ... W  
 ⊗<sub>2</sub> = ... W  
 ⊗<sub>3</sub> = ... W  
 ... W  
 ↓

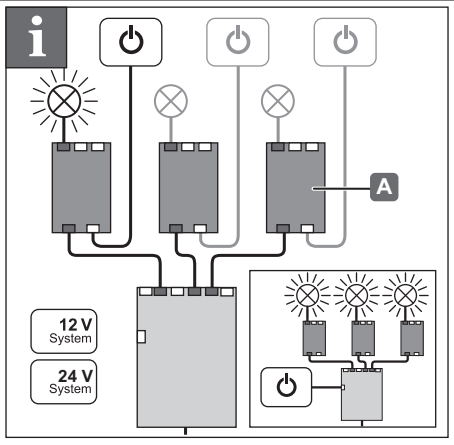
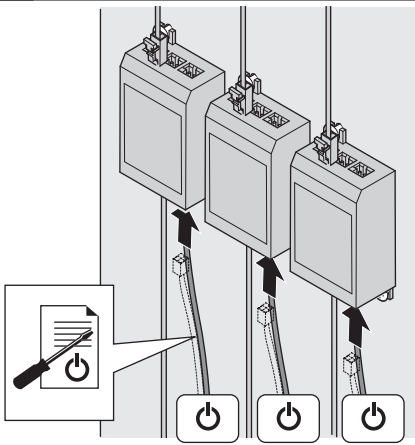
**12 V System**  
 $\otimes_1 + \otimes_2 + \dots \leq 42 \text{ W}$

**24 V System**  
 $\otimes_1 + \otimes_2 + \dots \leq 84 \text{ W}$



732.28.407

4



HDE 05/2017