

Art.-Nr. li 300.0592.xx
re 300.0593.xx

Magic Corner II

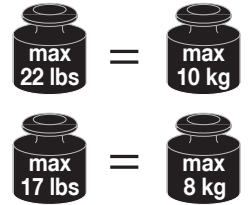
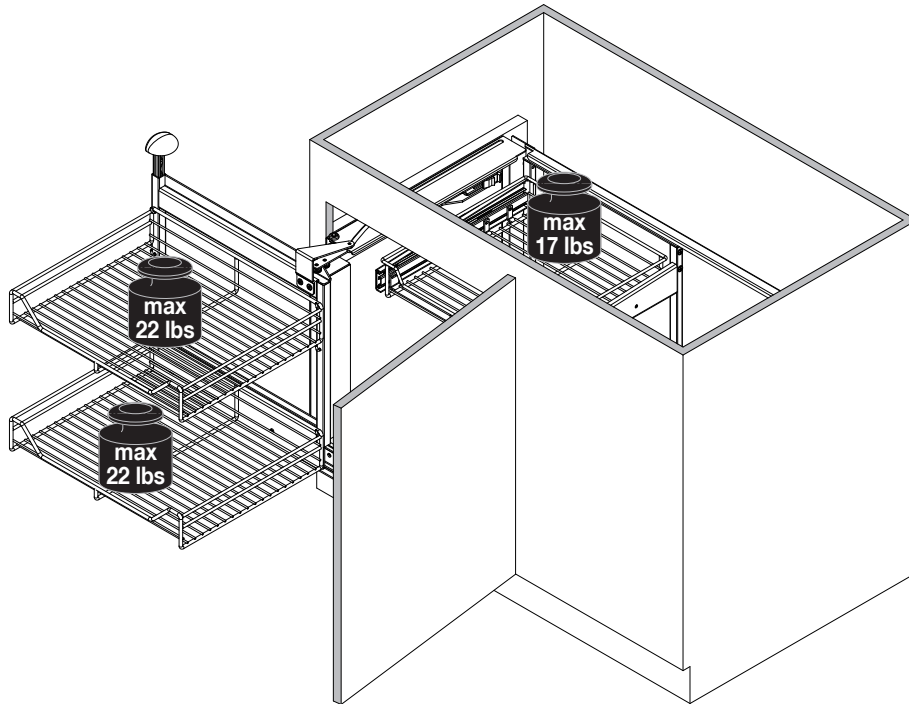
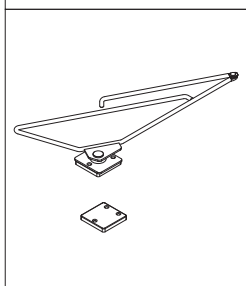
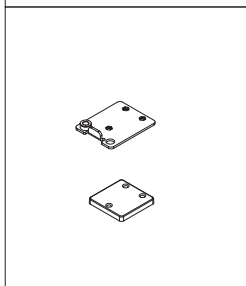
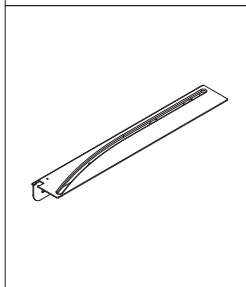
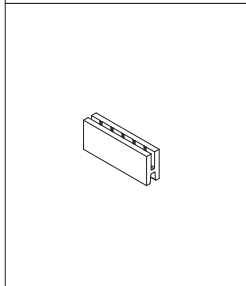
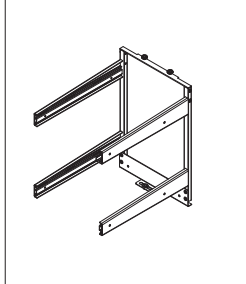
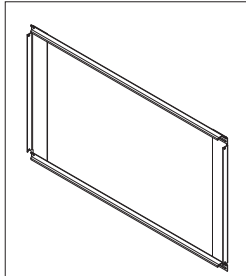
peka
macht Stauraum ergonomisch

Montageanleitung
Assembly instruction

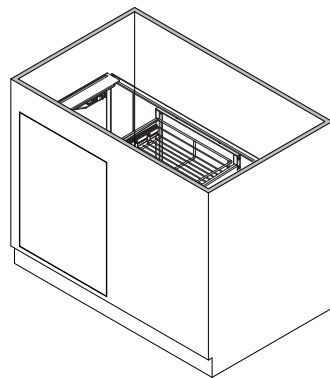
Vollauszug
Full-extension pull-out

6295 Mosen
Switzerland
T +41 41 919 94 00
www.peka-system.ch

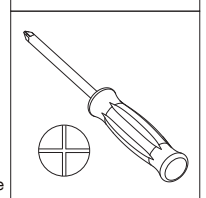
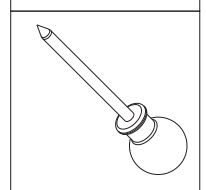
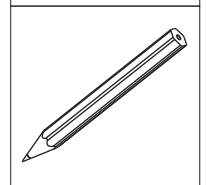
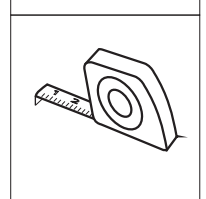
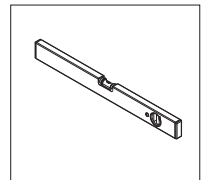
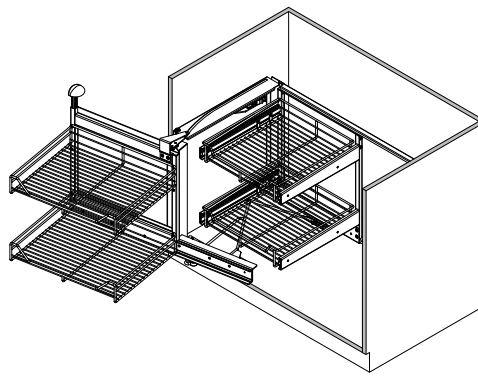
Frame overlay



Frame inset



Frameless



This mounting instruction is for a left swivel pull out, Art.-No. 300.0592.xx.
The right swivel pull out instruction is mirror-inverted, Art.-No. 300.0593.xx.

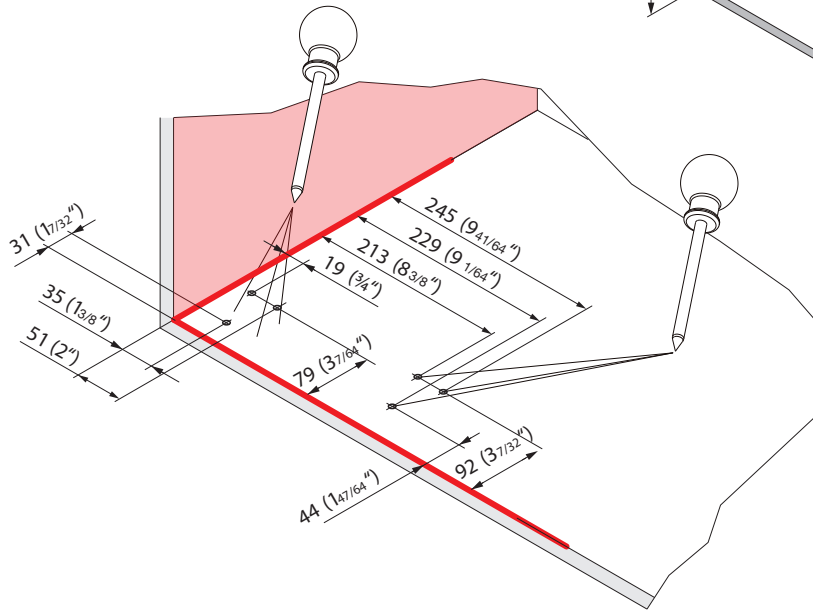
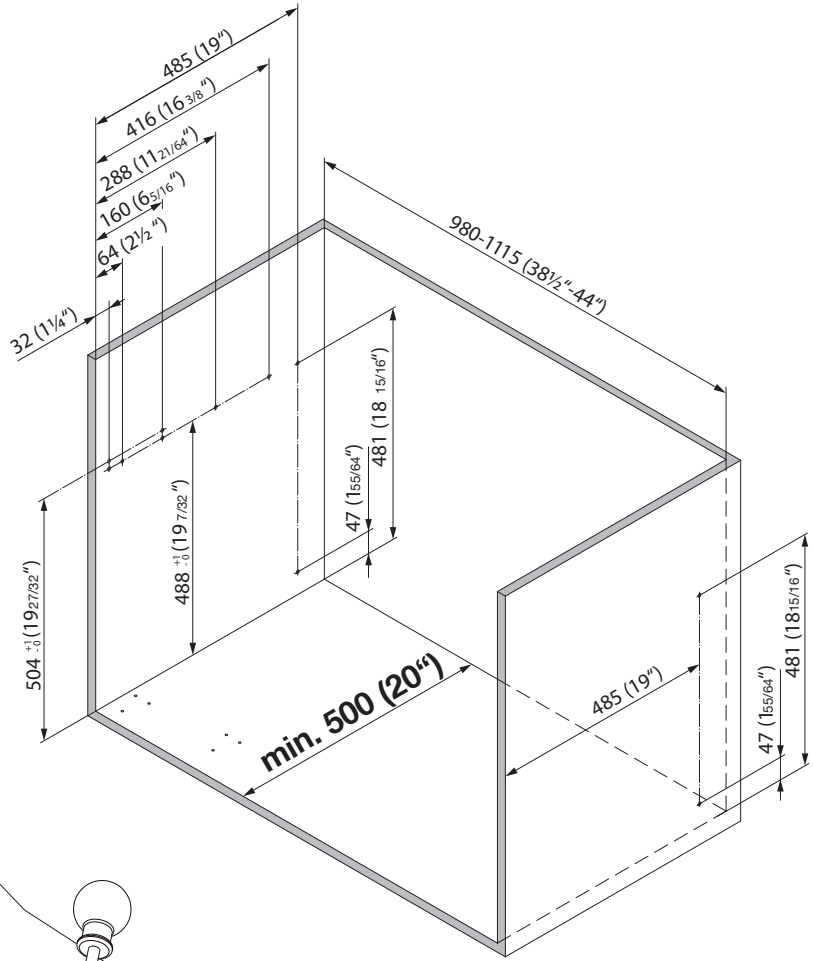
Dimensions in mm
Inches are approximate

950.0359.MA	Rev. c
10.12.2008 hrm	24.11.2010 hrm
1/8	

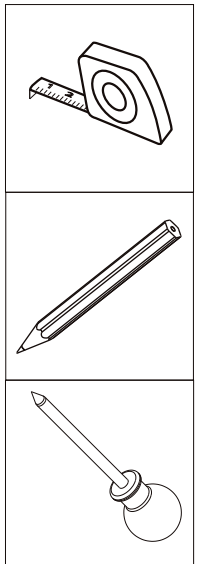
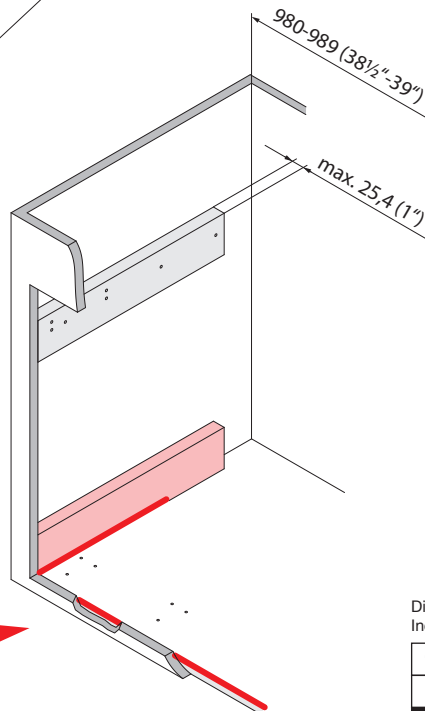


Before starting the installation make sure that the cabinet is level and secured to the wall

Frameless



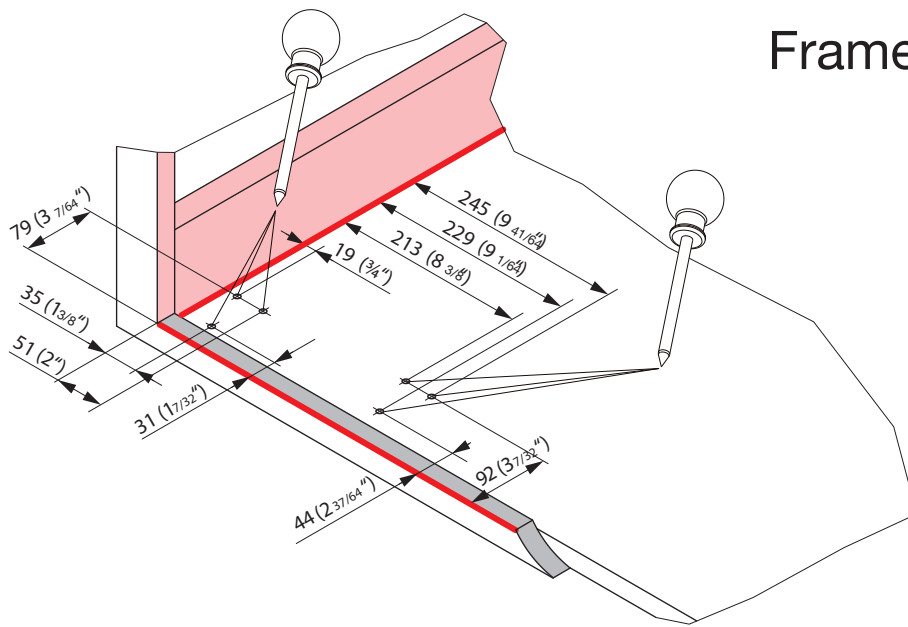
Frame inset
(red line is behind face frame)



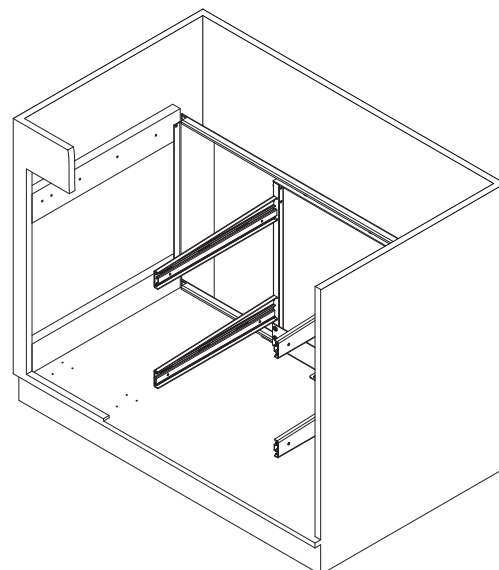
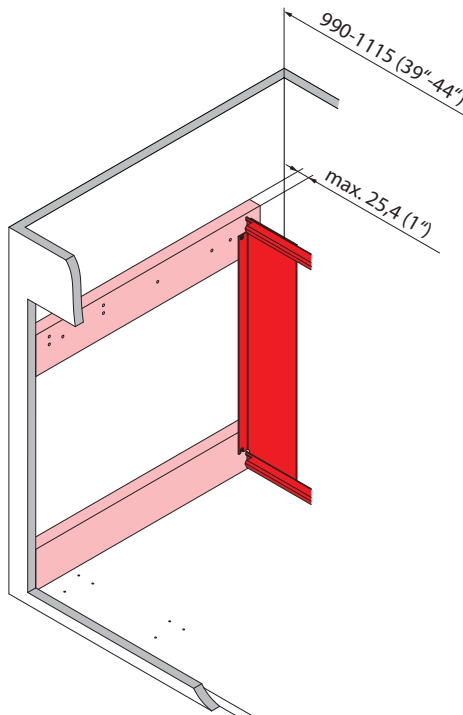
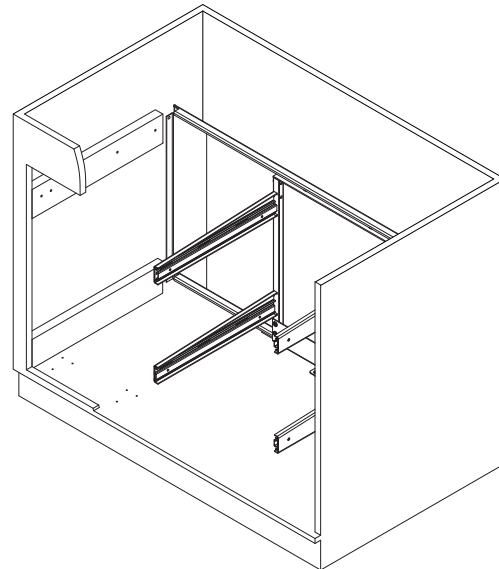
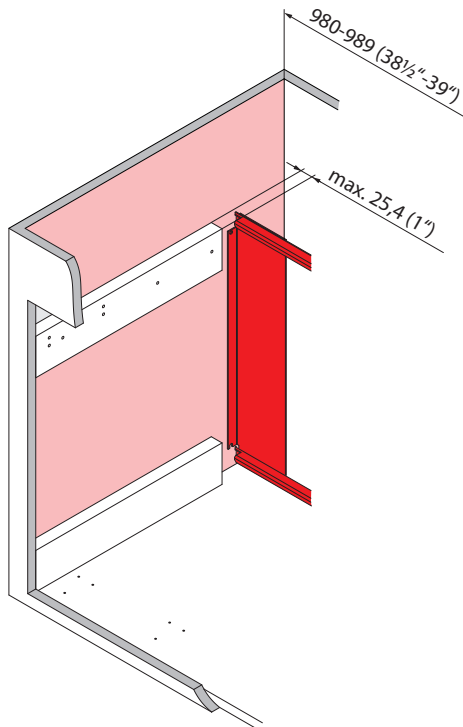
Dimensions in mm
Inches are approximate

950.0359.MA	Rev. c
10.12.2008 hrm	24.11.2010 hrm
2/8	

Frame overlay



Spacer for frame inset Spacer for frame overlay



Dimensions in mm
Inches are approximate

950.0359.MA	Rev. c
10.12.2008 hrm	24.11.2010 hrm
3/8	

2 Mounting of rack for rearpanel frame

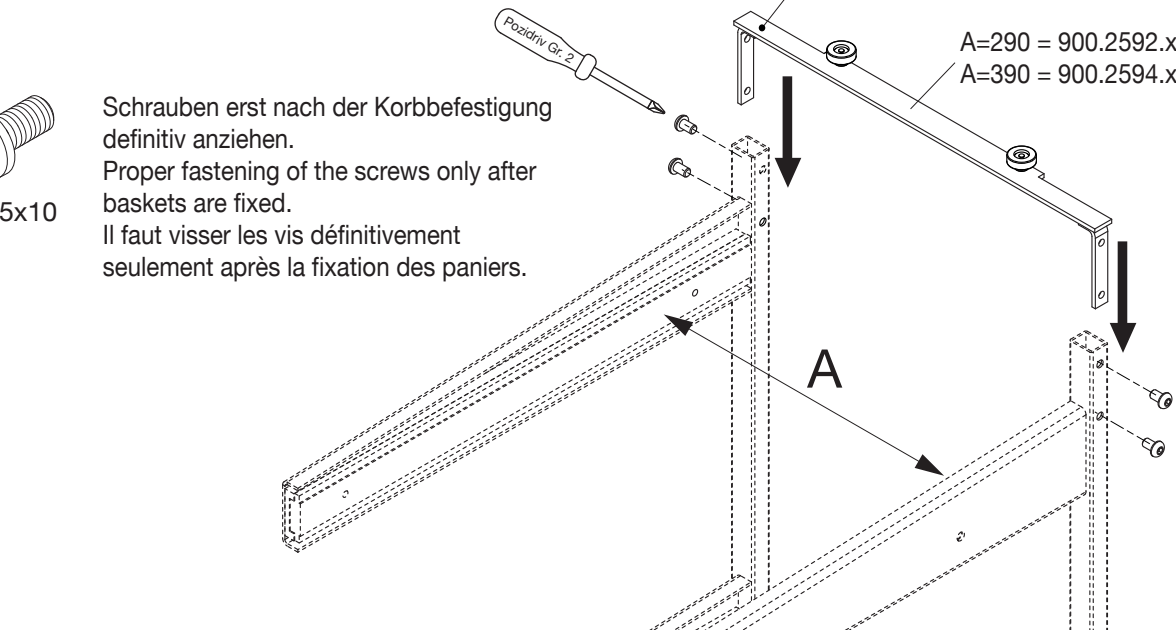


4x M5x10

Schrauben erst nach der Korbbefestigung definitiv anziehen.
 Proper fastening of the screws only after baskets are fixed.
 Il faut visser les vis définitivement seulement après la fixation des paniers.

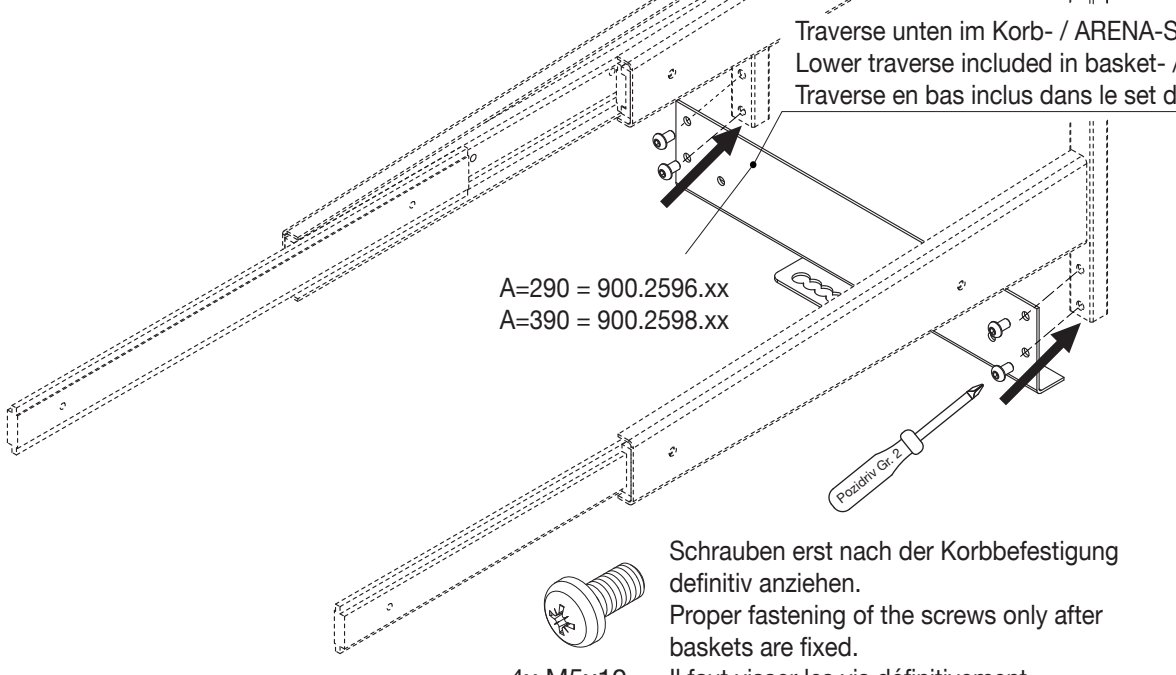
Traverse oben im Korb- / ARENA -Set enthalten
 Upper traverse included in basket- / ARENA-Set
 Traverse en haut inclus dans le set de panier ou ARENA

A=290 = 900.2592.xx
 A=390 = 900.2594.xx



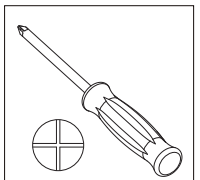
Traverse unten im Korb- / ARENA-Set enthalten
 Lower traverse included in basket- / ARENA-Set
 Traverse en bas inclus dans le set de panier ou ARENA

A=290 = 900.2596.xx
 A=390 = 900.2598.xx



4x M5x10

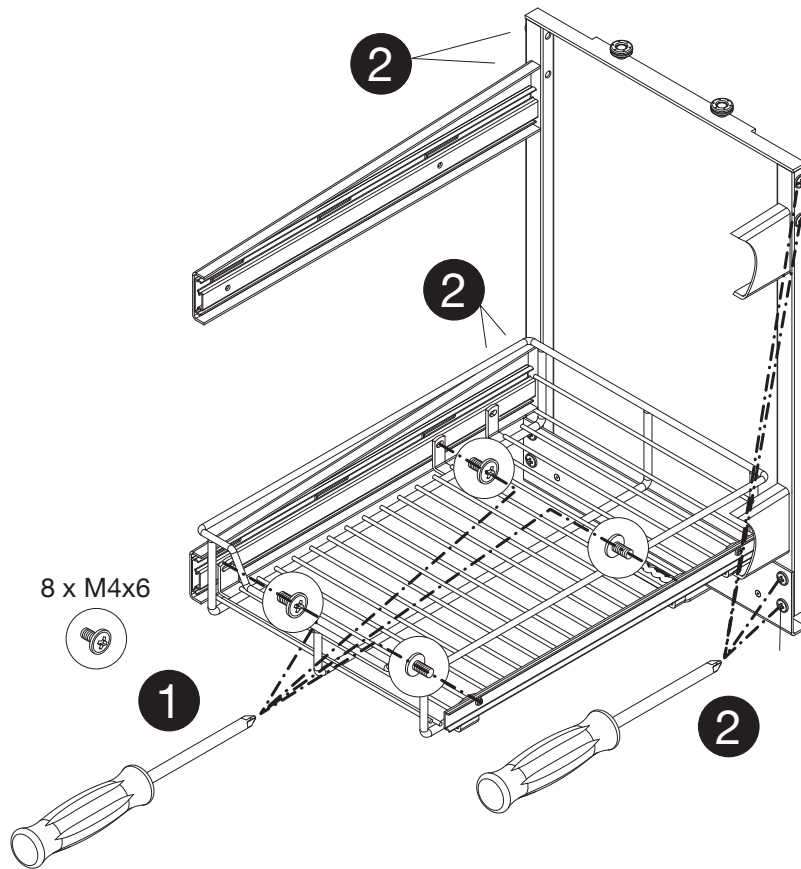
Schrauben erst nach der Korbbefestigung definitiv anziehen.
 Proper fastening of the screws only after baskets are fixed.
 Il faut visser les vis définitivement seulement après la fixation des paniers.



Dimensions in mm
 Inches are approximate

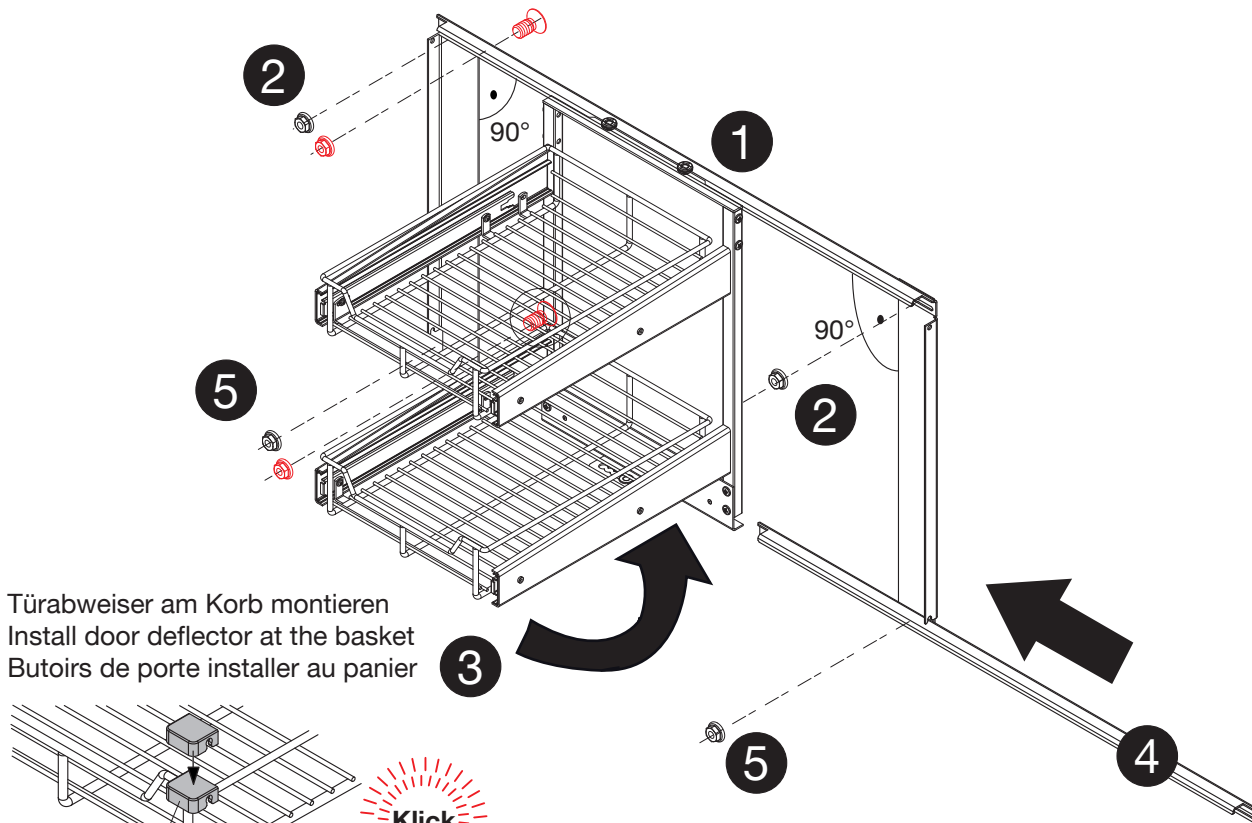
950.0359.MA	Rev. c
10.12.2008 hrm	24.11.2010 hrm
4/8	

3 Mounting of basket

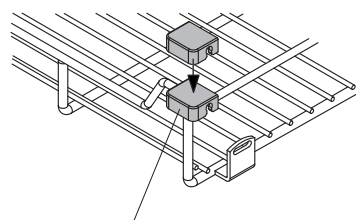


2 Schrauben definitiv anziehen.
Definite fastening of the screws.
Visser les vis définitivement.

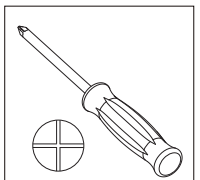
8 x M4x6



Türabweiser am Korb montieren
Install door deflector at the basket
Butoirs de porte installer au panier



Türabweiser im Korb- / ARENA-Set enthalten.
Door deflector clip included in basket- / ARENA-Set.
Butoirs de porte inclus dans le set de panier ou ARENA.

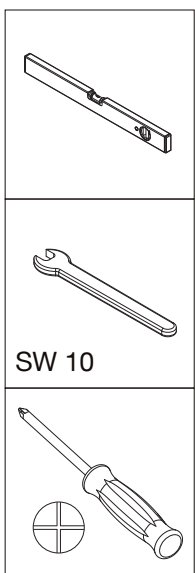
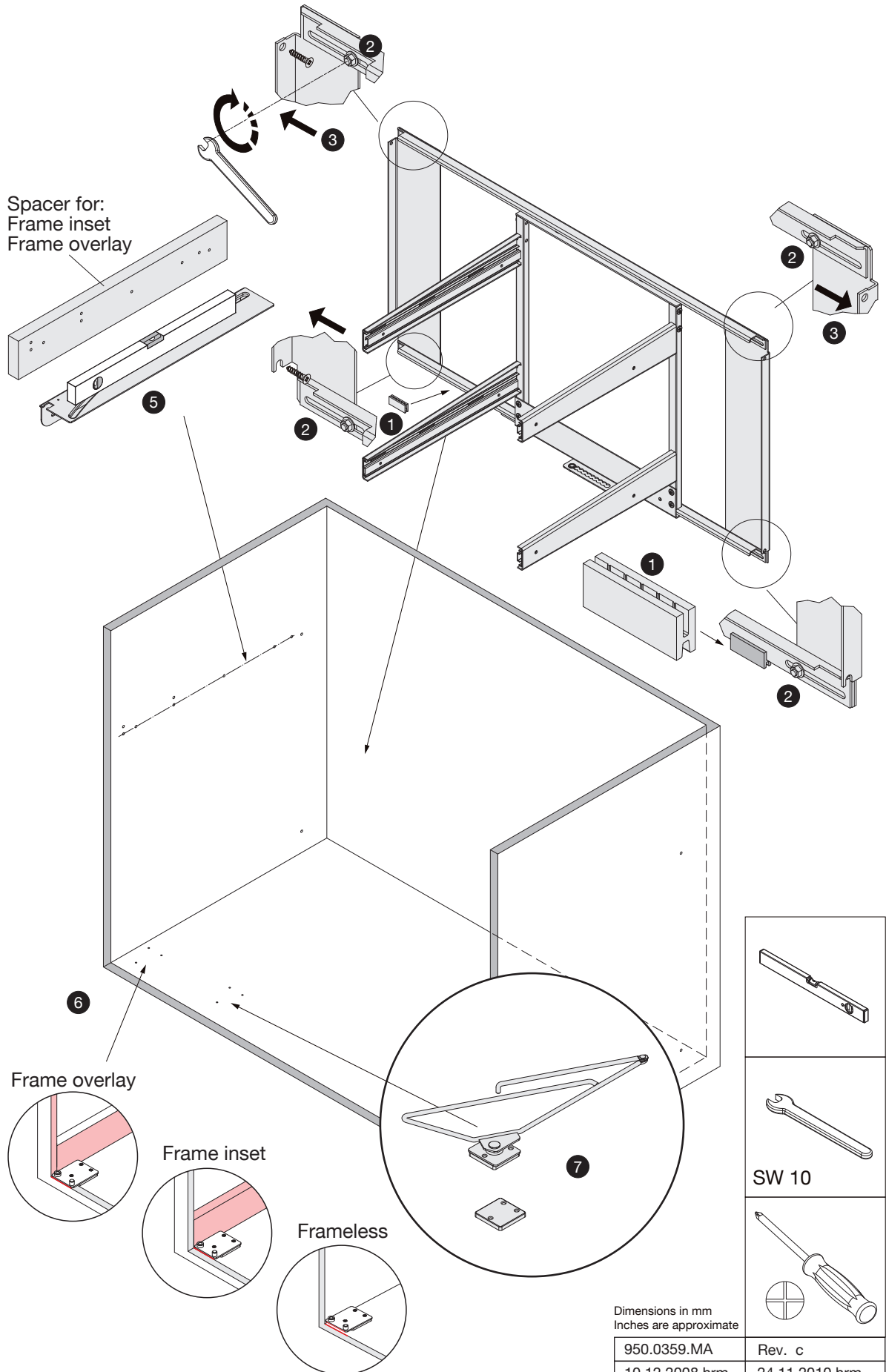
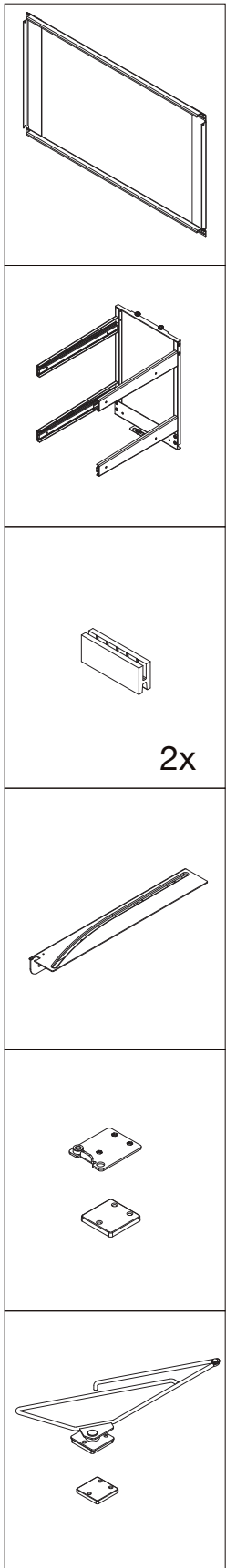


Dimensions in mm
Inches are approximate

950.0359.MA	Rev. c
10.12.2008 hrm	24.11.2010 hrm
5/8	

4 Mounting of rearpanel frame, guide plate, endstop bracket, follower

Step 1: Loosen hex-nuts of rearpanel frame
 Step 2: Screw on rearpanel frame to cabinet sides
 Step 3: Tighten hex-nuts of rearpanel frame



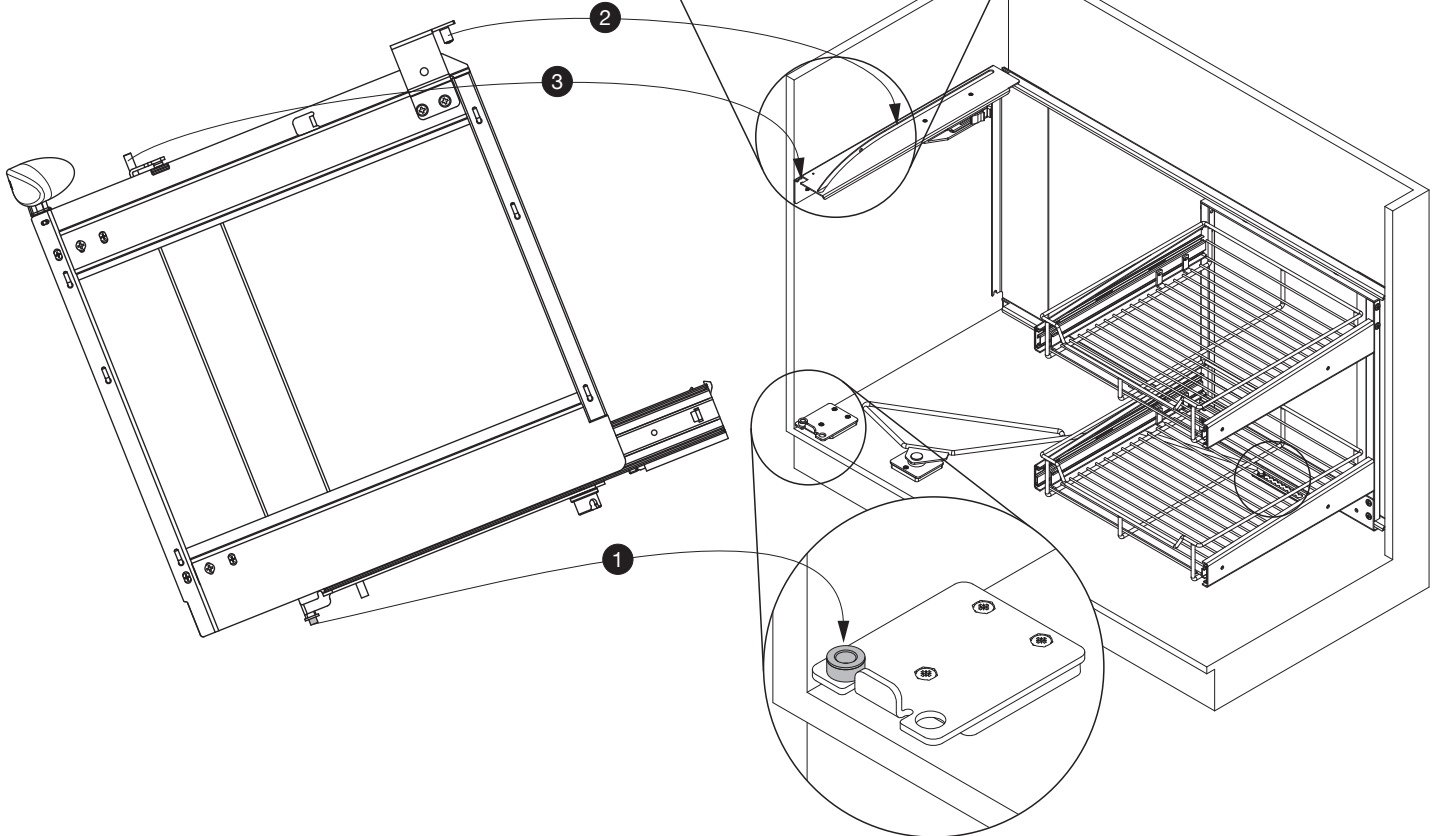
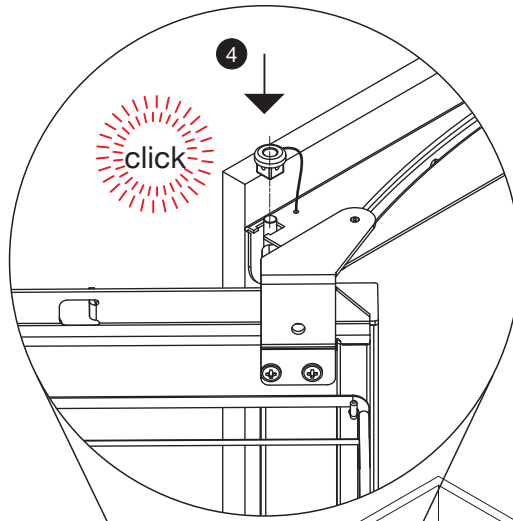
Dimensions in mm
 Inches are approximate

950.0359.MA	Rev. c
10.12.2008 hrm	24.11.2010 hrm
6/8	

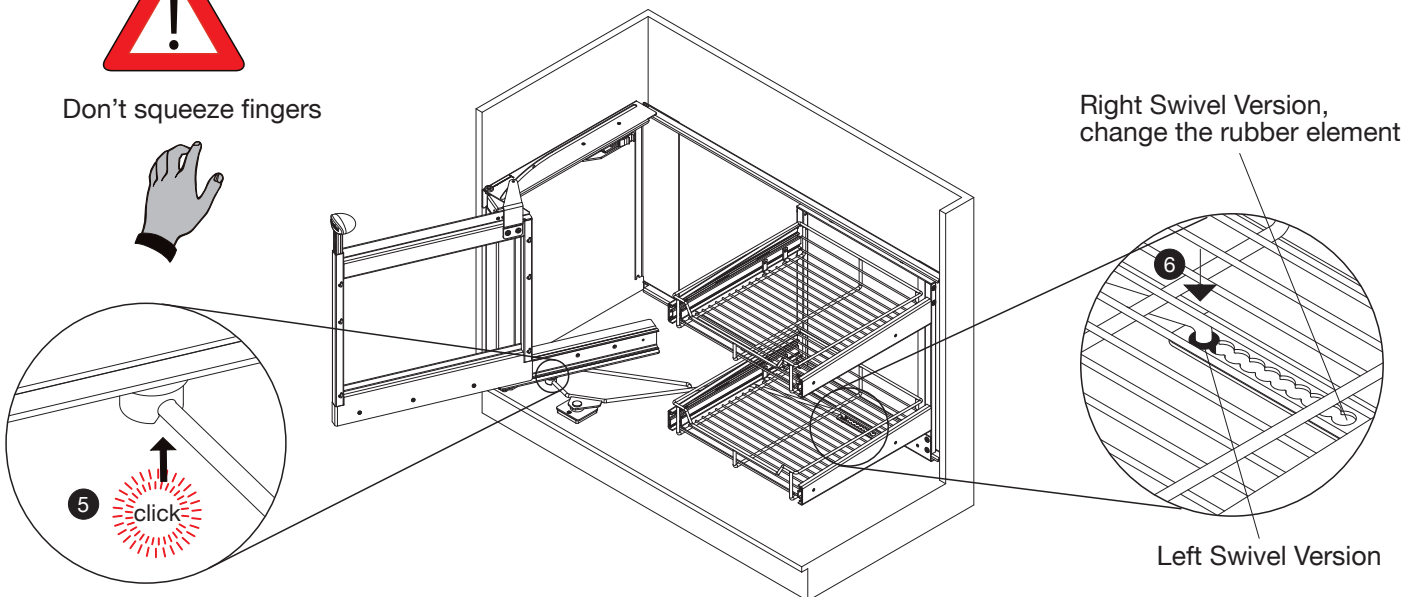
5 Install pull-out frame



Don't squeeze fingers



Don't squeeze fingers



Dimensions in mm
Inches are approximate

950.0359.MA	Rev. c
10.12.2008 hrm	24.11.2010 hrm
7/8	

6 Place shelves

