



Capacitive Switch

<div style="display: flex; justify-content: space-around;"> <div style="border: 1px solid black; padding: 2px; text-align: center;">12 V System</div> <div style="border: 1px solid black; padding: 2px; text-align: center;">24 V System</div> <div style="border: 1px solid black; padding: 2px; text-align: center;">350 mA System</div> <div style="border: 1px solid black; padding: 2px; text-align: center;">700 mA System</div> </div>	T_A			
833.89.133	-20 °C – +45 °C -4 °F – +113 °F	Ø 34.7 x 9.6	≥ Ø 44.7 x 19.6	<div style="border: 1px solid black; padding: 2px; margin-bottom: 2px;">Loox 12 V</div> <div style="border: 1px solid black; padding: 2px; margin-bottom: 2px;">Loox 24 V</div> <div style="border: 1px solid black; padding: 2px; margin-bottom: 2px;">Loox 350 mA</div> <div style="border: 1px solid black; padding: 2px;">Loox 700 mA</div>

732.28.404

A

B

2x **C**

D

+

X	
500	833.89.140
1000	833.89.141
2000	833.89.142

X	
500	833.89.054
1000	833.89.055
2000	833.89.056

HDE 06/2017

i

100 - 240 V~

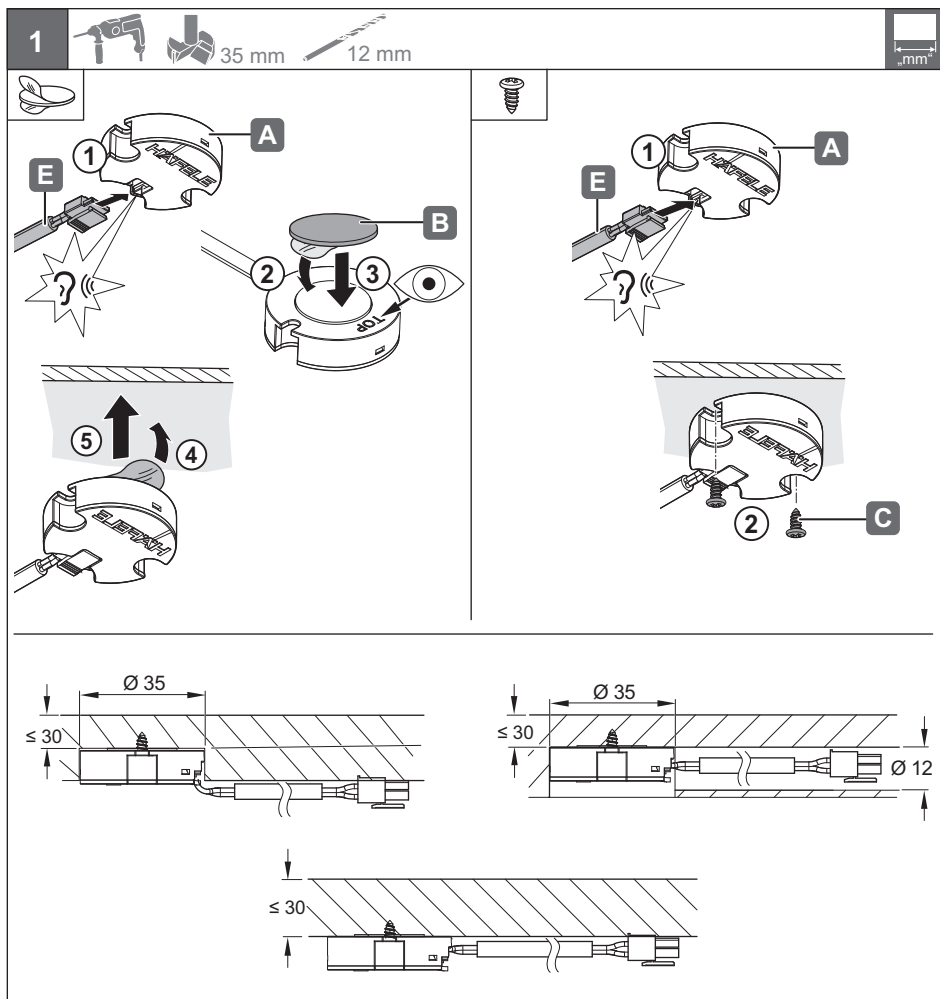
i

≤ 30

≤ 10

≤ 10

≤ 10



732.28.404

