



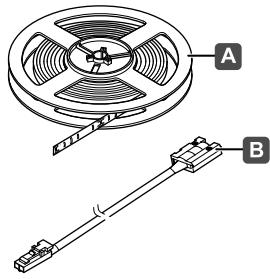
833.76.220 833.76.222
833.76.221 833.76.223



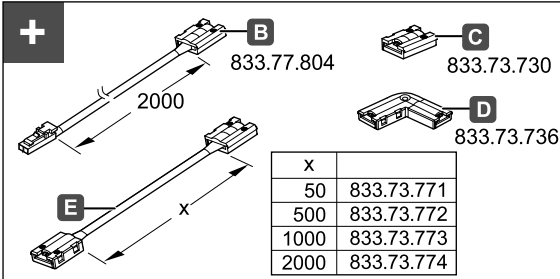
LED 3030 (3.5 A / 20 AWG)

24 V System	K	W	T _A	mm	mm	~ =
833.76.220	2700 K	9.6 W/m	-20 °C – +45 °C -4 °F – +113 °F	5000 x 8 x 2.3	≥ 18 x 12.3	Loox 24 V
833.76.221	3000 K					
833.76.222	4000 K					
833.76.223	5000 K					



A
B




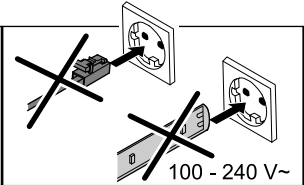
B 833.77.804
C 833.73.730
D 833.73.736

2000

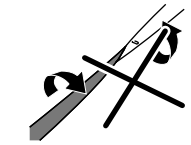
E x

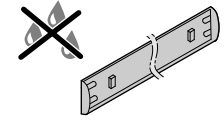
x	
50	833.73.771
500	833.73.772
1000	833.73.773
2000	833.73.774







100 - 240 V~

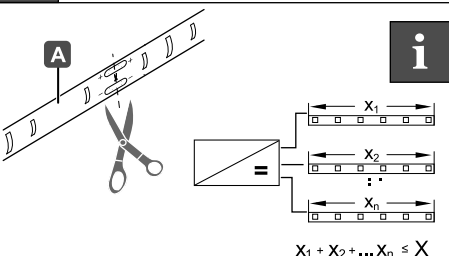




1







A

$x_1 + x_2 + \dots + x_n \leq X$

24 V / 20 W	
x _n [m]	X [m]
LED 3030	1.850

24 V / 90 W	
x _n [m]	X [m]
LED 3030	5.000

24 V / 40 W		
	x _n [m]	X [m]
LED 3030	3.750	3.750

732.28.218

HDE 07/2017

