



Klappenhalter mit Seilzug
Flap stay with pull cable
Compas d'abattant à câble de commande
Fermo con cavo per ante a ribalta
Compás con tracción de cable

365.47.331	365.47.342	365.47.435	365.47.931
365.47.332	365.47.343	365.47.436	365.47.932
365.47.333	365.47.344	365.47.731	365.47.933
365.47.334	365.47.345	365.47.732	365.47.934
365.47.335	365.47.431	365.47.733	365.47.935
365.47.336	365.47.432	365.47.734	365.47.936
365.47.340	365.47.433	365.47.735	
365.47.341	365.47.434	365.47.736	

i

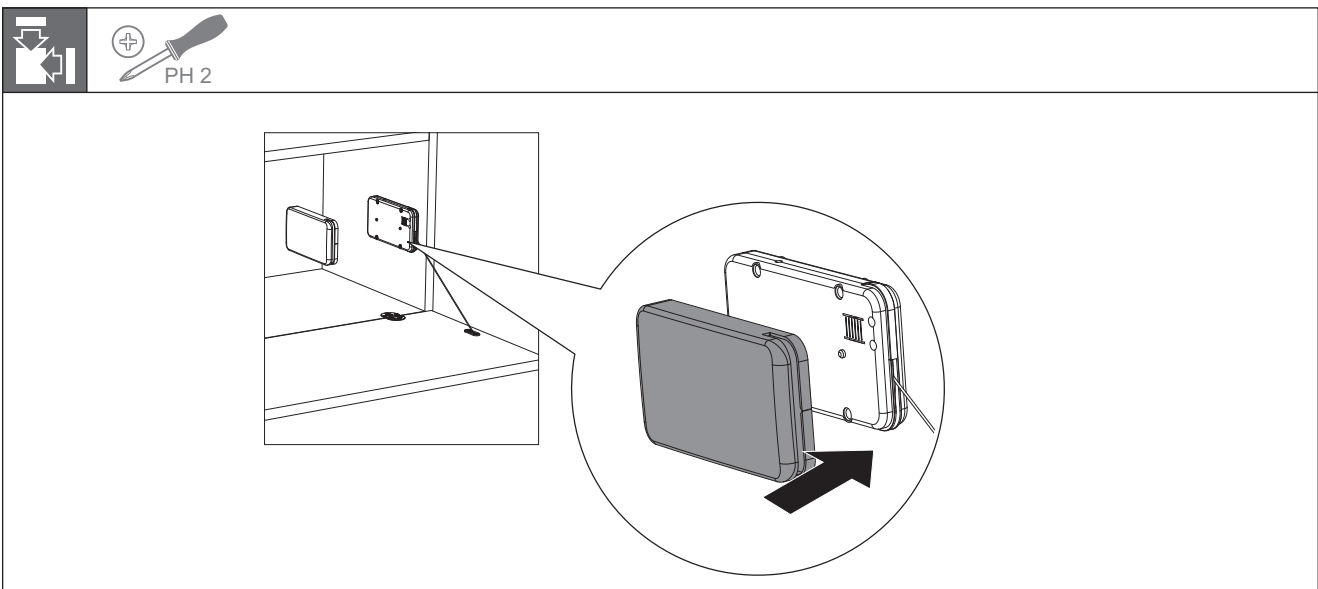
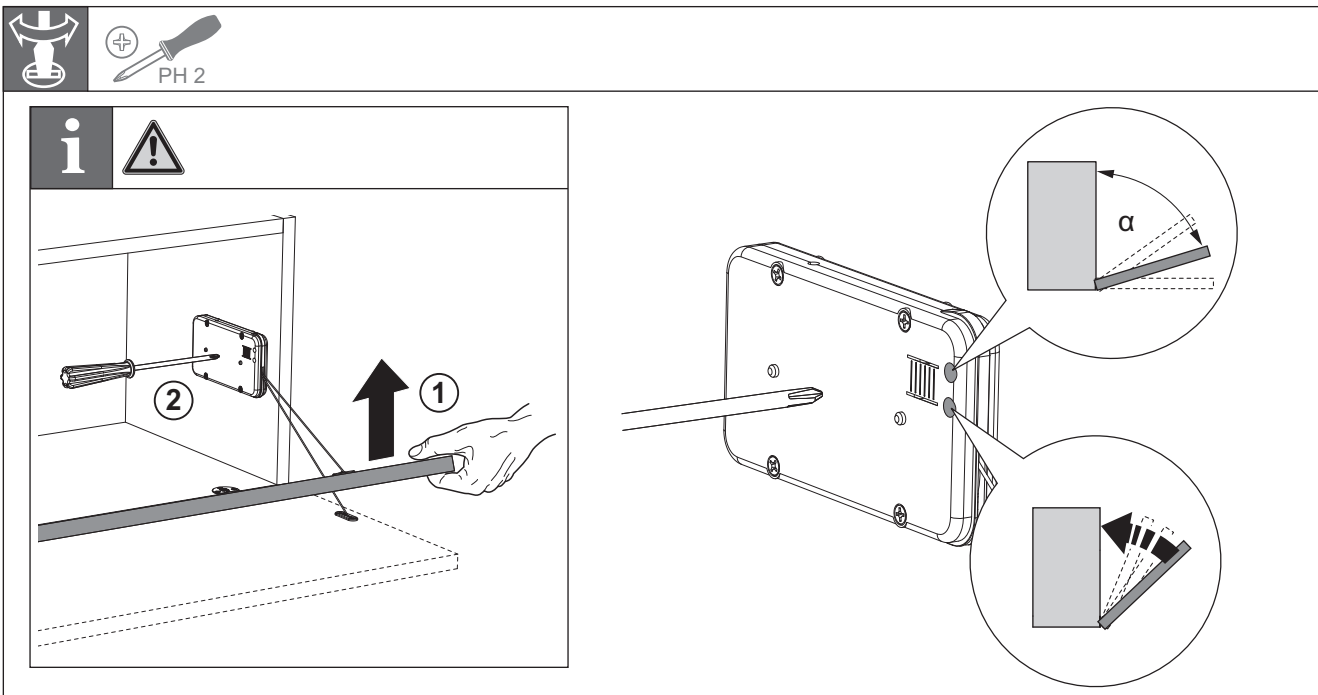
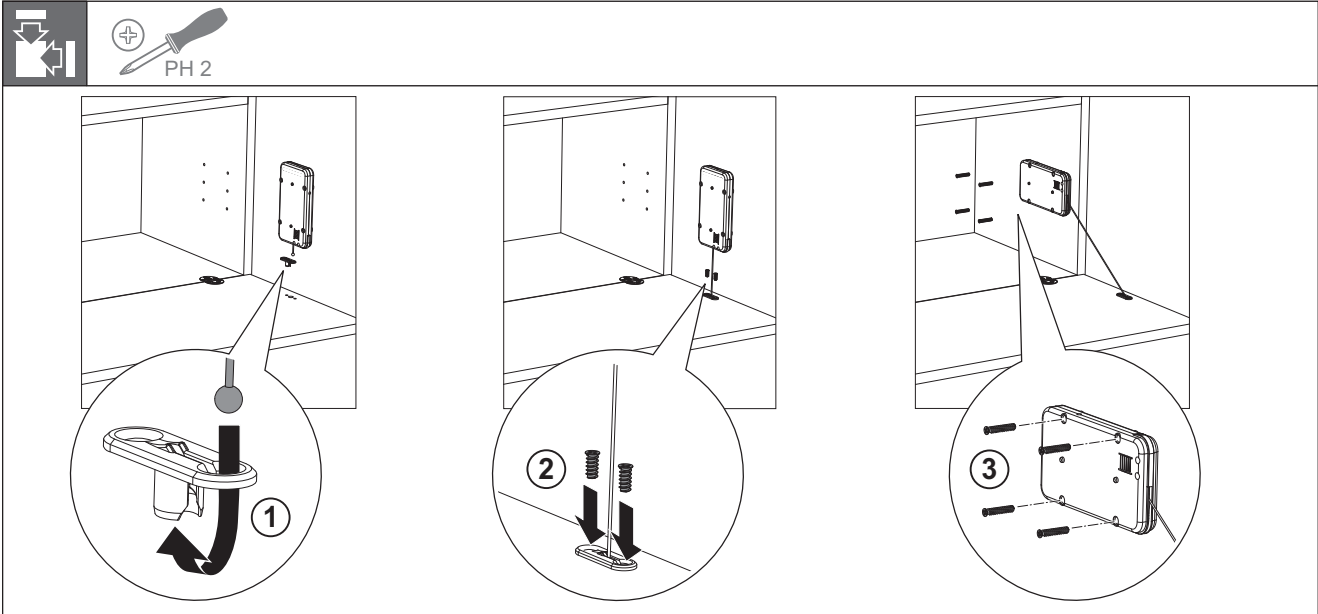
mm

U	V	W	X
200 - 330	194	102	137 + Z
330 - 430	218	126	161 + Z
430 - 480	228	136	171 + Z

U	X
200 - 480	161 + Z

732.23.055

HDE 10/2017



732.23.055

HDE 10/2017