

Docking Drawer™

Cut Out Templates

Choose Your Outlet

Blade & Slim Series

page 1

Hafele Item No. 822.53.100	Black - 2 AC & 2 USB
Hafele Item No. 822.53.103	Black - 2 AC & 2 USB
Hafele Item No. 822.53.106	Black - 2 AC & 2 USB
Hafele Item No. 822.53.109	Black - 2 AC & 2 USB
Hafele Item No. 822.53.112	Black - 4 USB
Hafele Item No. 822.53.115	Black - 4 USB
Hafele Item No. 822.53.116	Black - 4 USB
Hafele Item No. 822.53.006	Black - 2 AC & 2 USB
Hafele Item No. 822.53.008	Black - 2 AC & 2 USB
Hafele Item No. 822.53.021	Black - 2 AC & 2 USB
Hafele Item No. 822.53.013	Black - 4 USB
Hafele Item No. 822.53.015	Black - 4 USB
Hafele Item No. 822.53.023	Black - 4 USB

HÄFELE

Blade Duo Series

page 2

Hafele Item No. 822.53.124 Black - 2 AC & 6 USB

Hafele Item No. 822.53.121 Black - 8 USB

Style Drawer Series

page 3

Hafele Item No. 822.53.003 Black - 2 AC GFCI

Hafele Item No. 822.53.004 Black - 2 AC GFCI

Hafele Item No. 822.53.019 Black - 2 AC GFCI

Hafele Item No. 822.53.017 Black - 2 AC GFCI

Hafele Item No. 822.53.025 Black - 2 AC GFCI

Hafele Item No. 22.53.027 Black - 2 AC GFCI

Hafele Item No. 822.53.083 Black - 2 AC GFCI

Style Drawer Duo Series

page 4

Hafele Item No. 822.53.089 Black - 4 AC GFCI

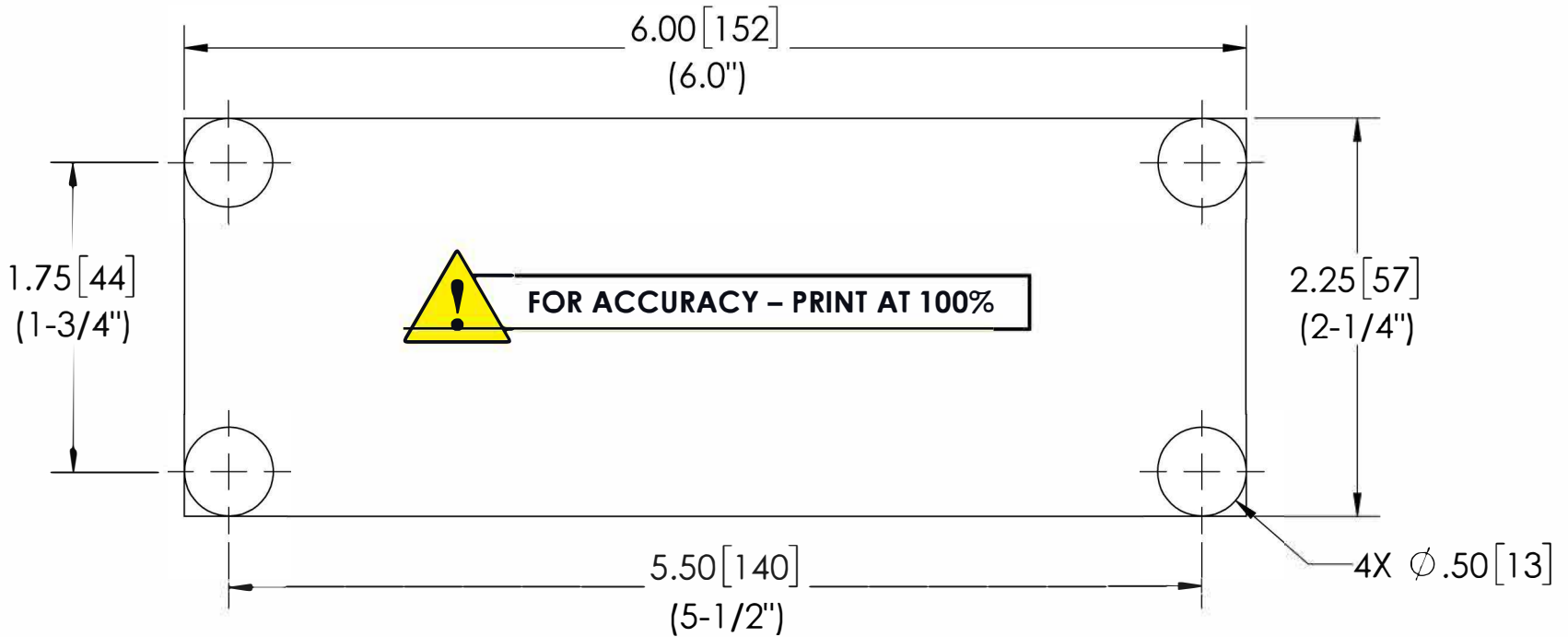
Hafele Item No. 822.53.092 Black - 4 AC GFCI

Hafele Item No. 822.53.095 Black - 4 AC GFCI

NOTES:

1. DIMENSIONS ARE IN: INCHES [mm]
(INCHES FRACTIONAL)

REV	REVISION DESCRIPTION	BY	DATE	APPROVED BY
001	INITIAL RELEASE	BN	5/8/2017	SD



***Docking Drawer Model Numbers:**

BLADE

- 0290-10018(W,S)
- 0290-10021(W,S)
- 0290-10024(W,S)
- 0290-10030(W,S)
- 0290-10118(W,S)
- 0290-10121(W,S)
- 0290-10124(W,S)

SLIM

- 0290-00030(W,S)
- 0290-00031(W,S)
- 0290-00047(W,S)
- 0290-00045(W,S)
- 0290-00046(W,S)
- 0290-00048(W,S)

APPLIES TO DOCKING DRAWER BLADE AND SLIM CHARGING OUTLETS*

DOCKING DRAWER, INC. CONFIDENTIAL: THIS DOCUMENT AND THE INFORMATION CONTAINED IN IT ARE CONFIDENTIAL, AND CANNOT BE COPIED OR DISCLOSED IN WHOLE OR IN PART WITHOUT THE EXPRESS WRITTEN CONSENT OF DOCKING DRAWER, INC.



TITLE:

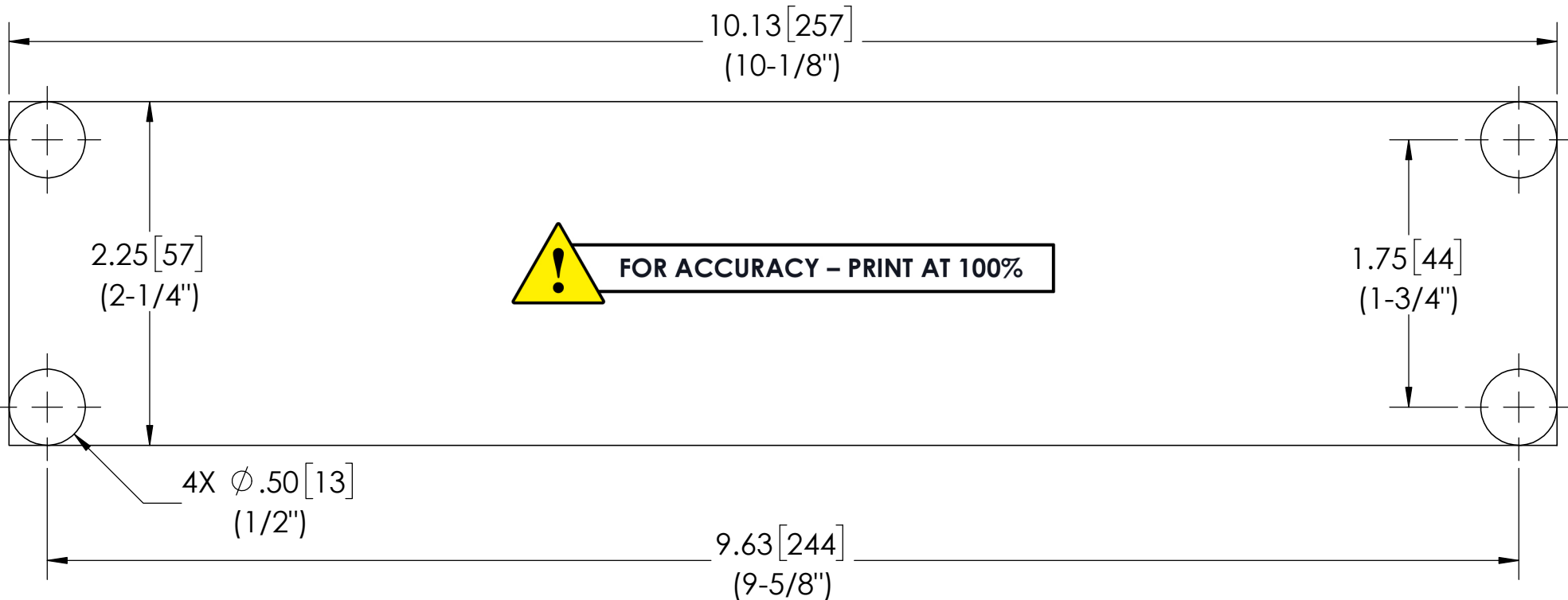
**BLADE AND SLIM SERIES
RECEPTACLE BOX
CUTOUT TEMPLATE**

SIZE	DWG. NO.	REV
A	0170-00066	001
SCALE: 1:1		SHEET 1 OF 1

NOTES:

1. DIMENSIONS ARE IN: INCHES [mm]
(INCHES FRACTIONAL)

REV	REVISION DESCRIPTION	BY	DATE	APPROVED BY
001	INITIAL RELEASE	BN	7/17/2017	SD



APPLIES TO DOCKING DRAWER BLADE 2422 DUO CHARGING OUTLETS*

***Docking Drawer
Model Numbers:**

**BLADE DUO
0290-10224(W,S)
0290-10324(W,S)**

DOCKING DRAWER, INC. CONFIDENTIAL: THIS DOCUMENT AND THE INFORMATION CONTAINED IN IT ARE CONFIDENTIAL, AND CANNOT BE COPIED OR DISCLOSED IN WHOLE OR IN PART WITHOUT THE EXPRESS WRITTEN CONSENT OF DOCKING DRAWER, INC.



TITLE:

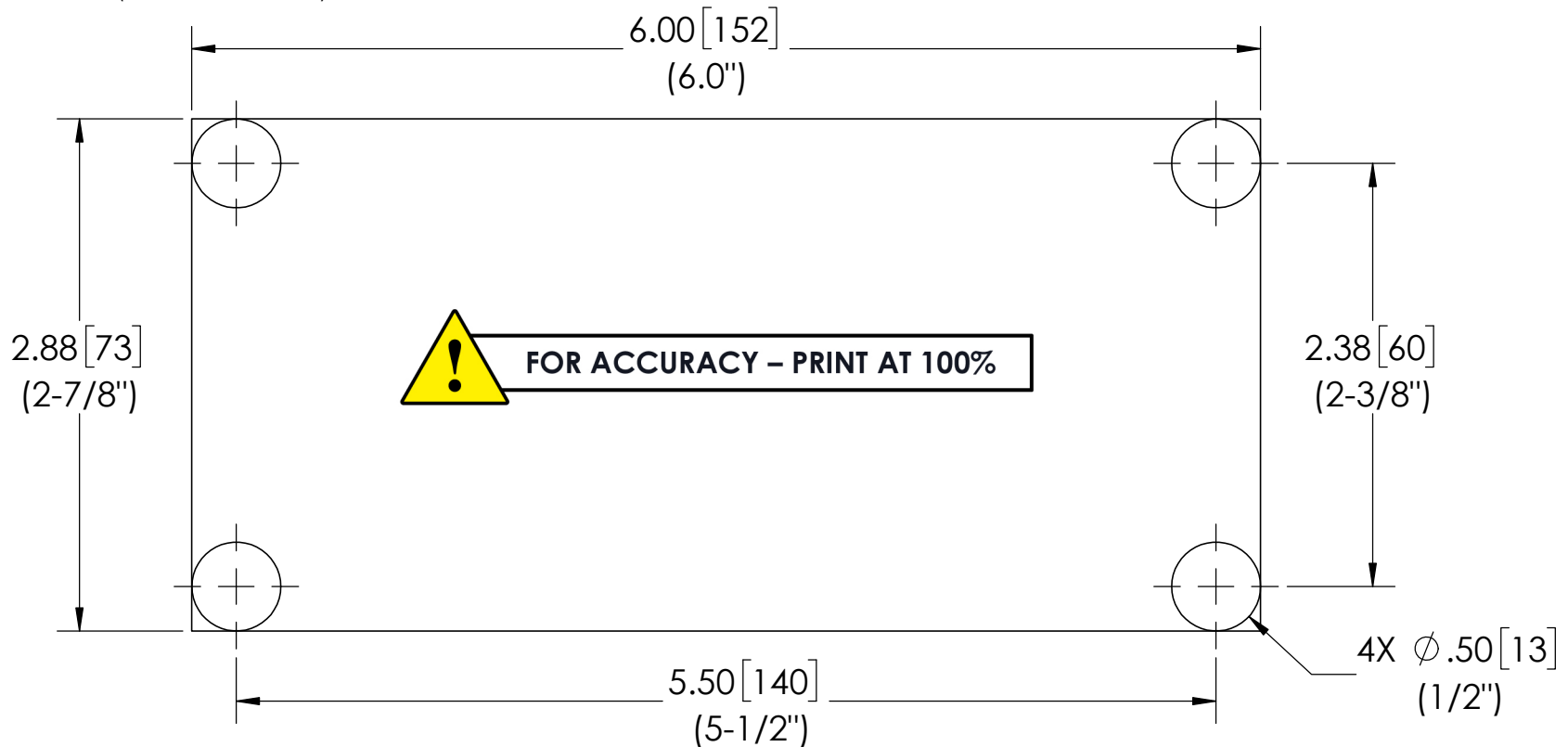
**BLADE DUO SERIES
RECEPTACLE BOX
CUTOUT TEMPLATE**

SIZE	DWG. NO.	REV
A	0170-00068	001
SCALE: 1:1		SHEET 1 OF 1

NOTES:

1. DIMENSIONS ARE IN: INCHES [mm]
(INCHES FRACTIONAL)

REV	REVISION DESCRIPTION	BY	DATE	APPROVED BY
001	INITIAL RELEASE	BN	7/17/2017	SD



APPLIES TO STYLE DRAWER POWERING OUTLETS*

***Docking Drawer
Model Numbers:**

- STYLE DRAWER
- 0290-00011(W)
- 0290-00013(W)
- 0290-00032(W,S)
- 0290-00033(W,S)
- 0290-00049(W)
- 0290-00050(W,S)
- 0290-00077(W,S)
- 0290-00079(W,S)

DOCKING DRAWER, INC. CONFIDENTIAL: THIS DOCUMENT AND THE INFORMATION CONTAINED IN IT ARE CONFIDENTIAL, AND CANNOT BE COPIED OR DISCLOSED IN WHOLE OR IN PART WITHOUT THE EXPRESS WRITTEN CONSENT OF DOCKING DRAWER, INC.



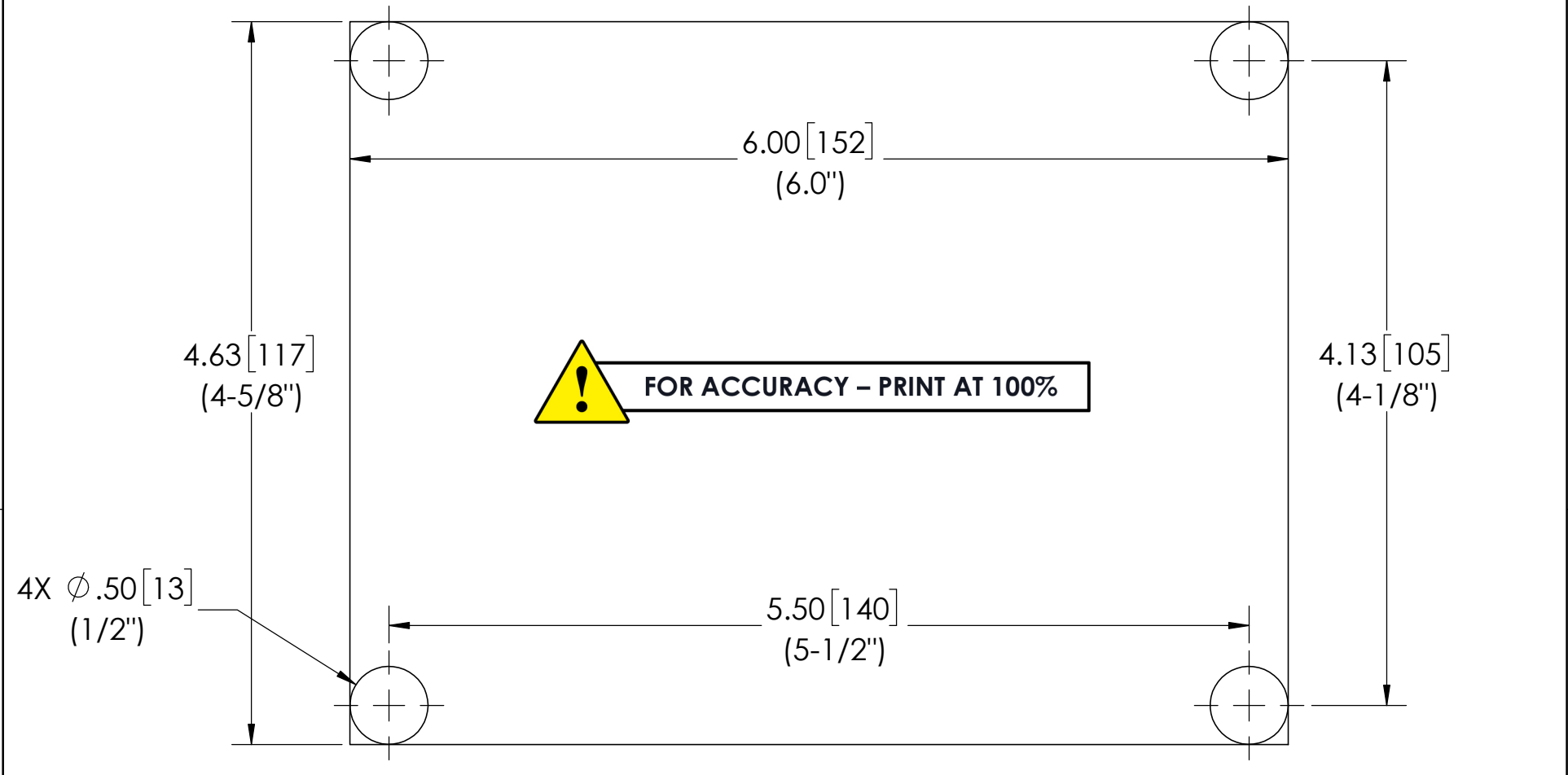
TITLE:
**STYLE DRAWER SERIES
RECEPTACLE BOX
CUTOUT TEMPLATE**

SIZE	DWG. NO.	REV
A	0170-00069	001
SCALE: 1:1		SHEET 1 OF 1

NOTES:

1. DIMENSIONS ARE IN: INCHES [mm]
(INCHES FRACTIONAL)

REV	REVISION DESCRIPTION	BY	DATE	APPROVED BY
001	INITIAL RELEASE	BN	7/17/2017	SD



APPLIES TO STYLE DRAWER DUO POWERING OUTLETS*

***Docking Drawer
Model Numbers:**

**STYLE DRAWER DUO
0290-00218(W,S)
0290-00221(W,S)
0290-00224(W,S)**

DOCKING DRAWER, INC. CONFIDENTIAL: THIS DOCUMENT AND THE INFORMATION CONTAINED IN IT ARE CONFIDENTIAL, AND CANNOT BE COPIED OR DISCLOSED IN WHOLE OR IN PART WITHOUT THE EXPRESS WRITTEN CONSENT OF DOCKING DRAWER, INC.



TITLE:

**STYLE DRAWER DUO
SERIES RECEPTACLE BOX
CUTOUT TEMPLATE**

SIZE	DWG. NO.	REV
A	0170-00070	001
SCALE: 1:1		SHEET 1 OF 1