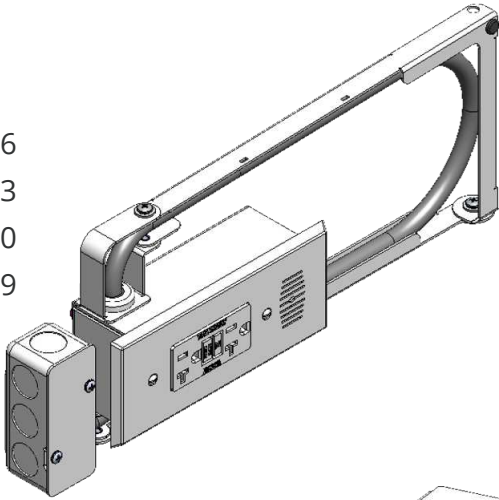


Style Drawer Series Installation Manual

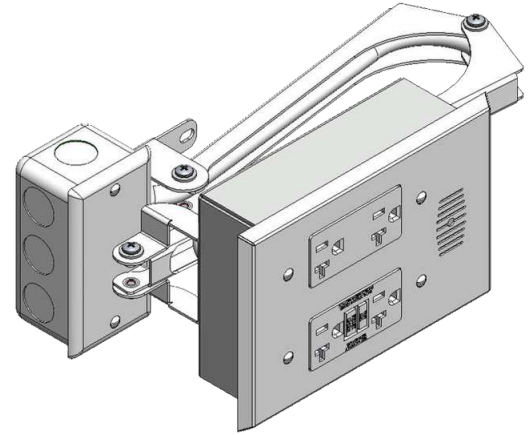
Blade

- 822.53.136
- 822.53.133
- 822.53.130
- 822.53.139



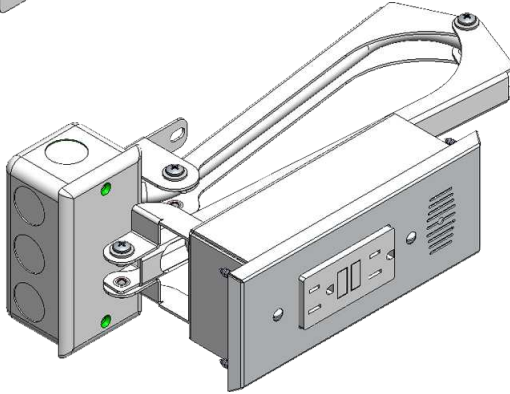
Flush Duo

- 822.53.095
- 822.53.092
- 822.53.089



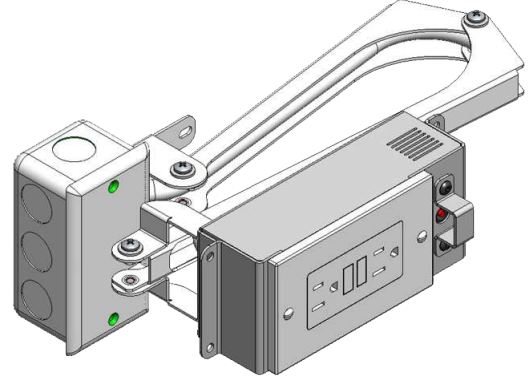
Flush

- 822.53.017
- 822.53.019
- 822.53.027
- 822.53.083



Surface

- 822.53.004
- 822.53.003
- 822.53.025



CAUTION – READ CAREFULLY

- Failure to follow these instructions can cause death or permanent injury. Do not work on live electrical circuits! Make absolutely certain power is off before connecting the device!
- This product is for dry, indoor and permanent installations only.
- Install the device in accordance with all national and local electrical codes.

General Information

- The Style Drawer series powering outlets are ETL Listed and comply with the UL 962a standard when installed in accordance with these instructions. Do not install this product in a manner contrary to these instructions.
- It is the installer's responsibility to make sure that power supplied to the junctionbox conforms to all applicable building codes and standards.
- The Style Drawer series outlets must be connected to a 20A circuit using 12 AWG wire.

For more information, please visit www.dockingdrawer.com and visit the Specification Library.

Installing Style Drawer Series Powering Outlets

Flush & Surface Mount

1. Insert the outlet through the receptacle box cut out in the back of the drawer.



2. Install the receptacle box to the drawer.



3. Locate and mark the position of the rear mounting bracket so that the arms do not touch the drawer or back of the cabinet.



4. Install the rear mounting bracket.



5. Test the movement to make sure there is no interference.

6. Install the cover plate.

7. Connect electrical supply to the Style Drawer outlet according to the wiring diagram on page 4.

Blade

1. Insert the outlet through the receptacle box cut out in the back of the drawer with the mounting flange removed.



2. Attach the mounting flange and then install the receptacle box.



3. Locate and mark the position of the rear mounting bracket so that the arms do not touch the drawer or back of the cabinet.



4. Install the rear mounting bracket.



5. Test the movement to make sure there is no interference.

6. Install the cover plate.

7. Connect electrical supply to the Style Drawer outlet according to the wiring diagram on page 4.

Need help locating power inside cabinet? Check out our [Electrical Planning Guide](#).

Removing the Receptacle Box

For a successful Style Drawer Series installation, it is NOT necessary to remove the receptacle box from the cable management arms. However, if the receptacle box needs to be removed, please follow these steps to disconnect/reconnect the receptacle box from the cable management arms.

1. Remove the arm mechanism ground connection inside the receptacle box by removing the green ground screw and ring terminal as shown.



2. Remove the yellow wire nut connecting the black wire from the arm mechanism to the black wire going to the thermostat.



3. Remove the (3) #10 Phillips head screws from inside the receptacle box. This will allow the arm mechanism bracket to be disconnected from the receptacle box.



4. Mount the junction box in the correct location on the back wall behind the drawer as shown in the drawing.

5. Install the drawer in the cabinet, and hold on to the end of the arm mechanism.

6. Pass the wires from the arm mechanism into the receptacle box and reattach the bracket using the (3) #10 Phillips head screws.

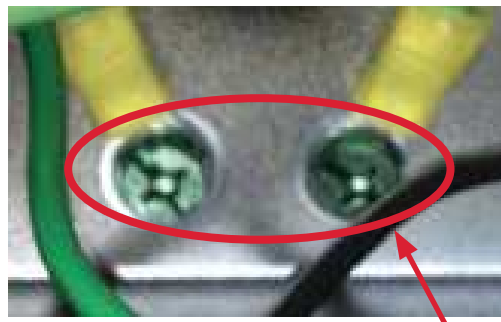
7. Secure the receptacle box to the back of the drawer using the installer supplied hardware.

8. Reconnect the black wire from the thermostat to the black wire from the arm mechanism using the wire nut. **Make sure the thermostat is connected in series with the line (black) wire.**



CAUTION – READ CAREFULLY

9. **DO NOT FORGET TO REATTACH THE GROUND WIRE INSIDE THE RECEPTACLE BOX. TORQUE SCREW TO 16-18 IN-LBS. ENSURE THAT THE THERMOSTAT IS WIRED IN SERIES WITH THE LINE (BLACK) WIRE. SEE WIRE DIAGRAM.**



MAKE SURE BOTH GROUND SCREWS ARE SECURELY CONNECTED!

TORQUE TO 28-32 IN-LBS

Reinstalling the Outlet



CAUTION – READ CAREFULLY

Install the GFCI outlet in the receptacle box before connecting the junction box to electrical power.

- After the receptacle box has been correctly installed in the back of the drawer and (if applicable) all wires correctly reattached, the GFCI outlet can be installed.

REMINDER: IF THE ARM MECHANISM TO RECEPTACLE BOX GROUND WIRE WAS REMOVED DURING INSTALLATION, MAKE SURE IT HAS BEEN REATTACHED AND TORQUED PROPERLY. MAKE SURE THE THERMOSTAT IS WIRED IN SERIES WITH THE LINE (BLACK) WIRE. SEE WIRING DIAGRAM.

- Follow the GFCI outlet instructions (included in outlet packaging) and connect the black, white, and green wires in accordance with those instructions.



Green Wire (ground):
green screw



White Wire (neutral):
silver screw



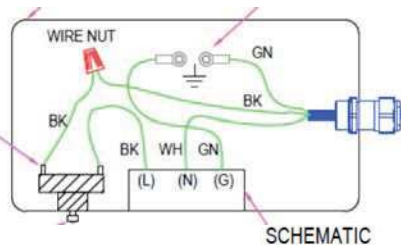
Black Wire (line):
brass screw

Technical Specifications

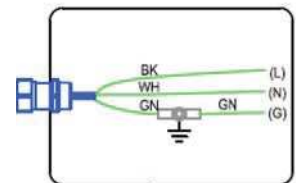
- AC Power: 20A 125V, tamper resistant GFCI with LED indicator
- Thermostat trip range: 100° – 120° F
- Max rated current @ 125 VAC: 20A. Circuit is protected by manually resettable thermostat accessible from the user side.

Wiring Diagrams

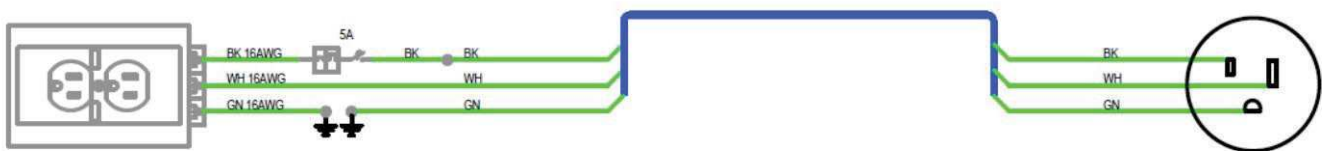
Receptacle Box Wiring



Junction Box Wiring



HANDY BOX



Operation

(Instructions specific to the GFCI outlet are included with the outlet itself.)

- The Style Drawer Series outlets include a 100°-120° F resettable thermostat to protect against overheating inside the drawer. To reset, correct the source of over temperature and push the red thermostat button. Note you may need to wait a few minutes for the unit to cool before the thermostat can be reset.
- The GFCI outlet has a green LED which will light if there is power to the outlet. If the LED is not lit, check the GFCI reset button and the thermostat.

