

Always read the instructions completely and carefully before beginning assembly.
Remove and check contents for damage and / or missing parts.

Bottle Rack

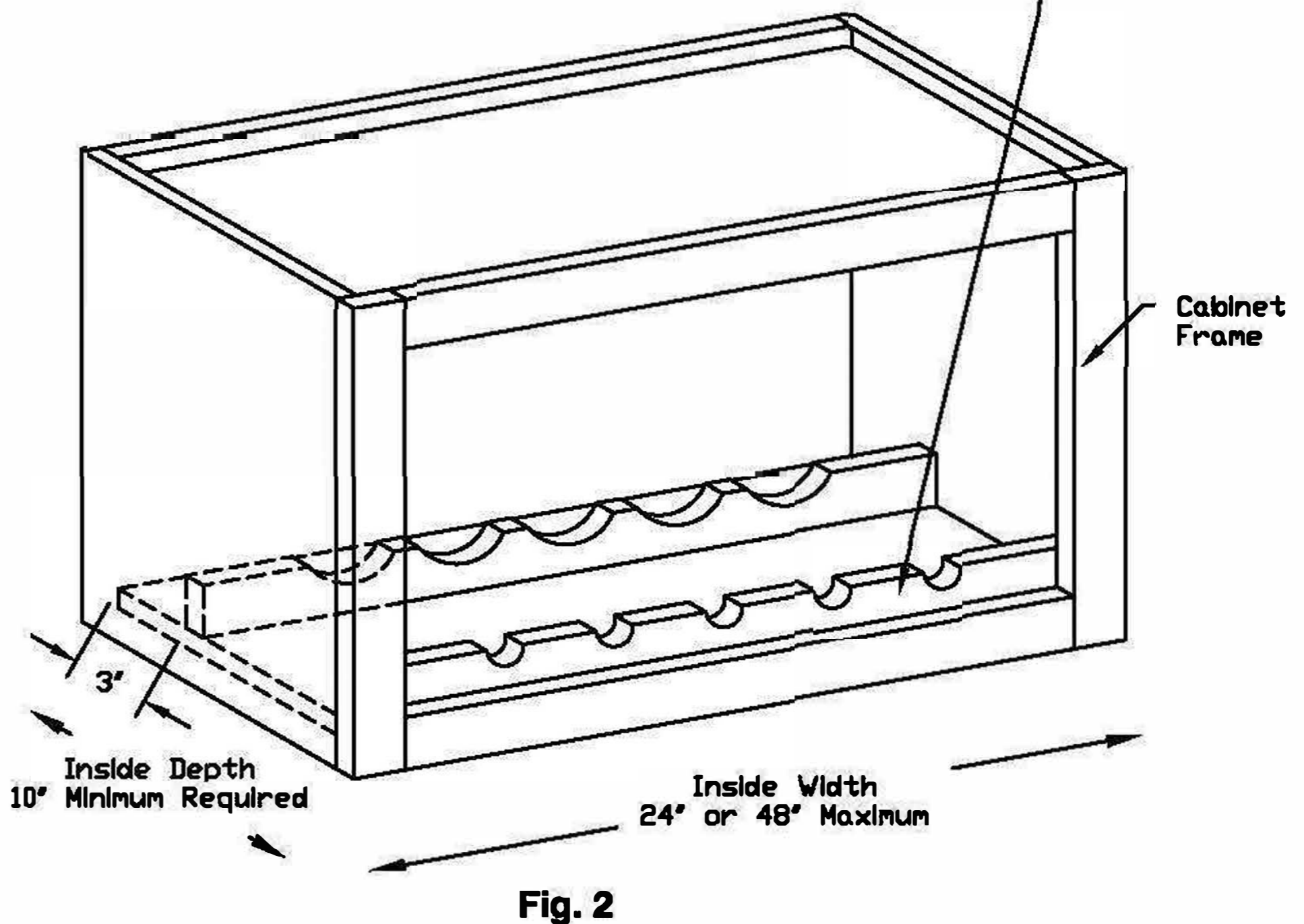
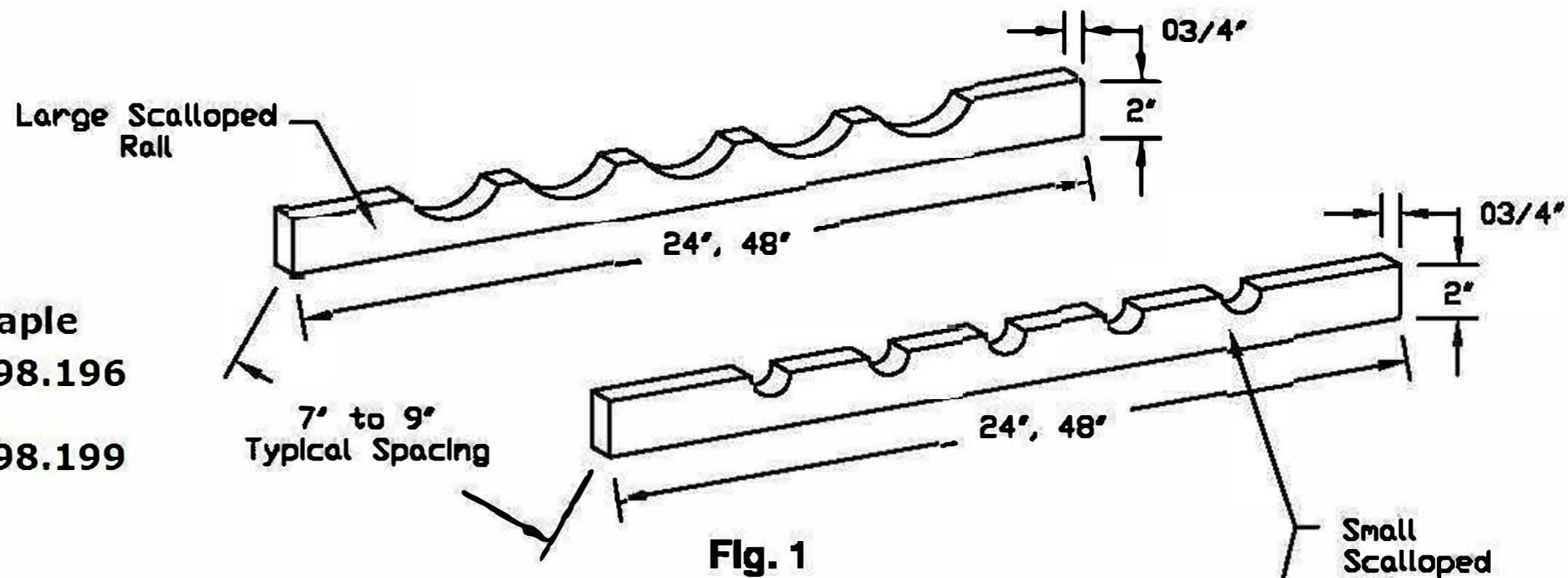
	Cherry	Maple
3/4"TH x 24"W x 2"H	541.98.696	541.98.196
3/4"TH x 48"W x 2"H	541.98.699	541.98.199

Contents of Box:

- 1 - Large Scalloped Rail
- 1 - Small Scalloped Rail

You will need:

- Safety Glasses
- Tape Measure
- Cut-off saw



Installation Instructions

Step 1 Measure the depth and width on the inside of your cabinet.

The minimum inside cabinet depth required = 10"

24" rails can be trimmed to fit inside cabinet widths from 18" to 24".

48" rails can be trimmed to fit inside cabinet widths from 36" to 48".

Step 2 Mark the rails to fit the inside width of your cabinet. Using a cut-off saw, cut the rails to proper length.

IMPORTANT! Cut an Equal amount off each end.

example: to fit a 20" width, cut 2" off each end of a 24" wide rail.

You must install the rails between 7" and 9" apart to accommodate standard bottle sizes.

Step 3 Install the large scalloped rail to the base of the cabinet at the back, keeping it approximately 3" from the back of the cabinet. **IMPORTANT!** Do not mount against the back of the cabinet.

Step 4 Install the small scalloped rail up against the inside of the cabinet frame at the front. Note: For deeper cabinets you can position the rails further back.