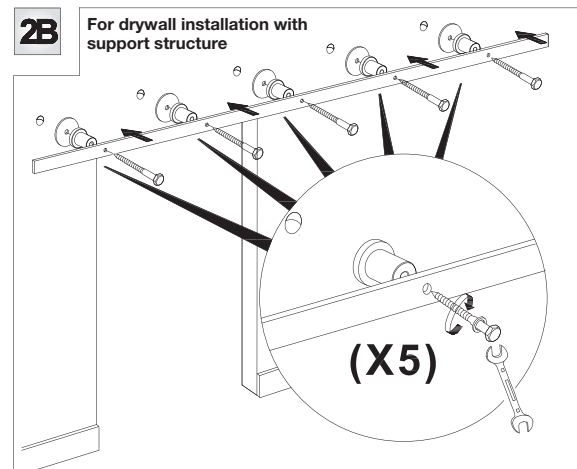
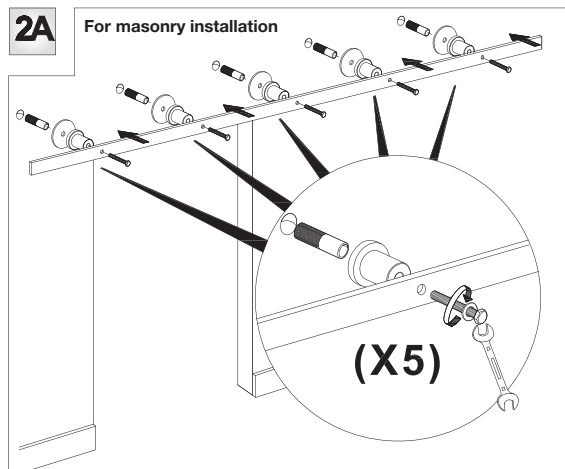
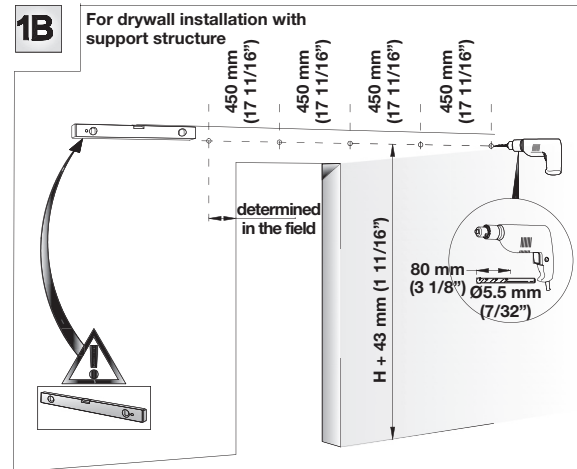
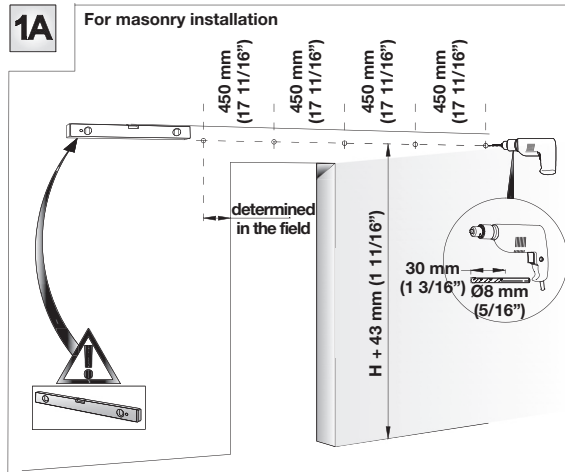
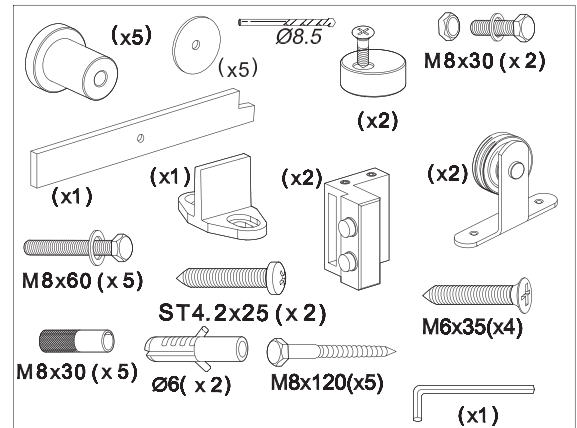
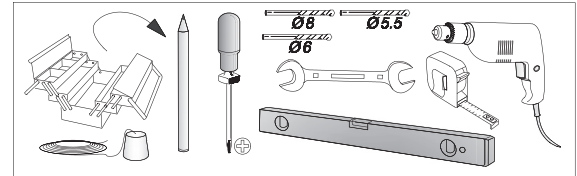
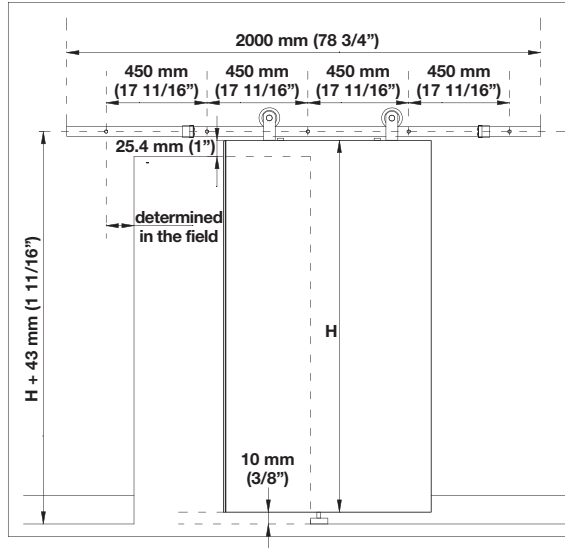


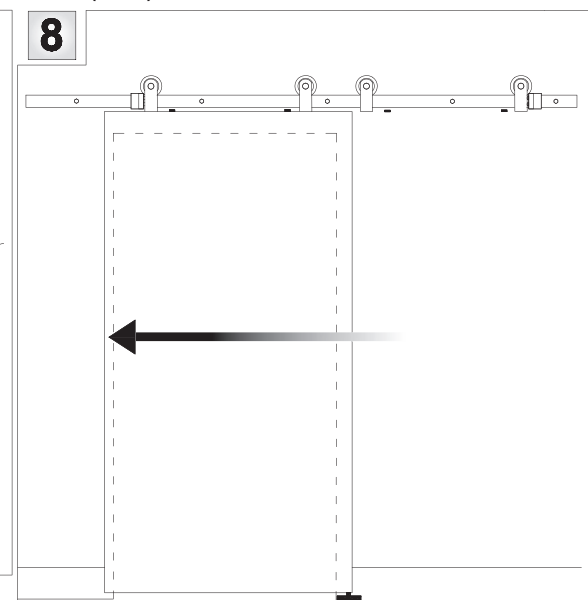
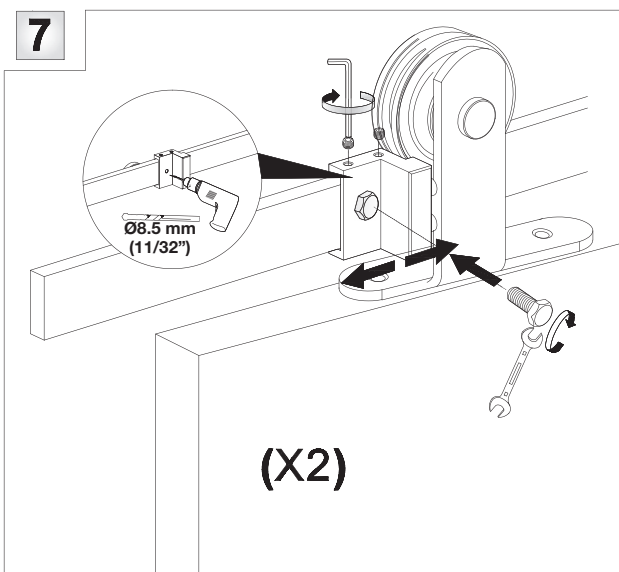
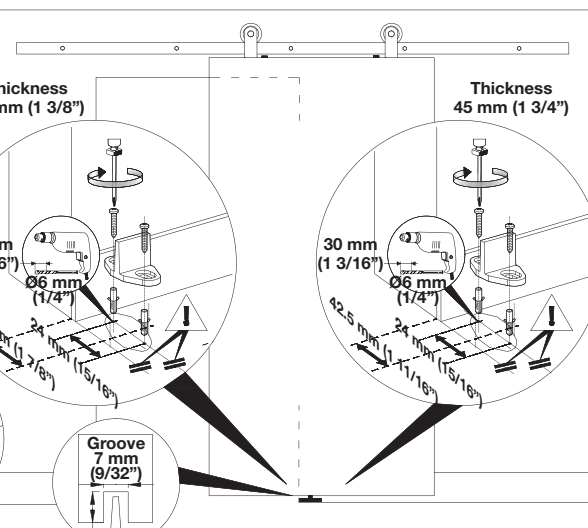
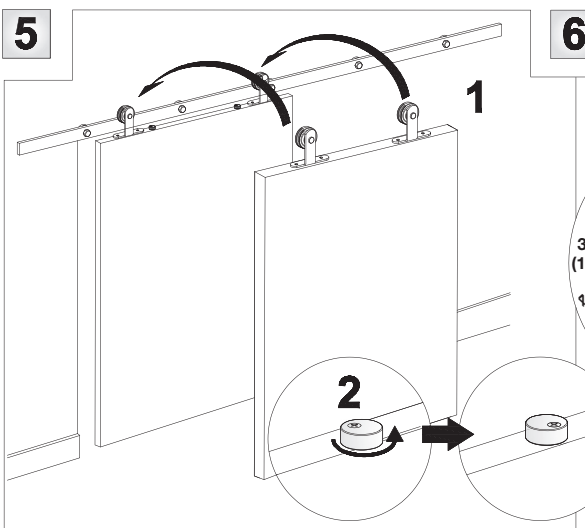
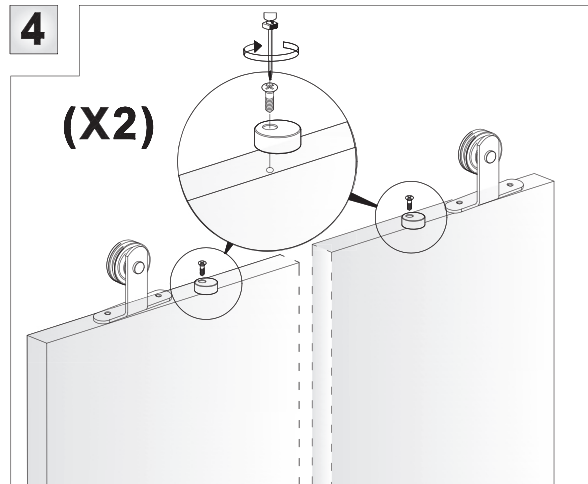
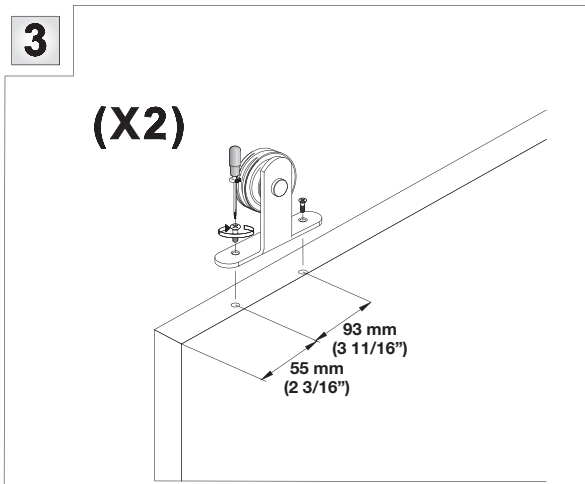
# Mounting Instructions

# HÄFELE

Item No.: 941.32.007/009

## FLAT TRACK SLIDING SYSTEM WITH TOP-MOUNTED HANGER – MODEL #BD110





**HÄFELE**

3901 Cheyenne Drive • P.O. Box 4000 • Archdale, NC 27263  
1-800-423-3531 • www.hafele.com/us