
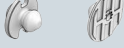
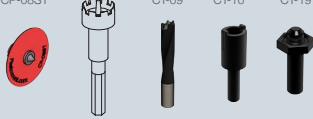
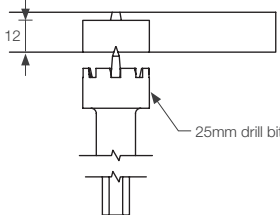
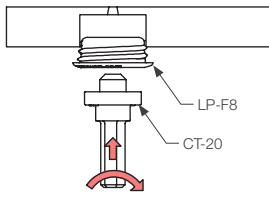
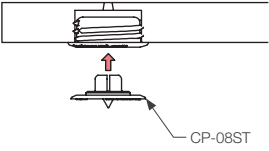
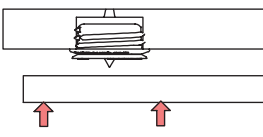
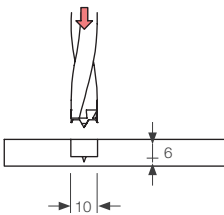
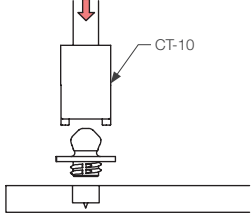


LP-F8 Low Profile Self Tapping Female

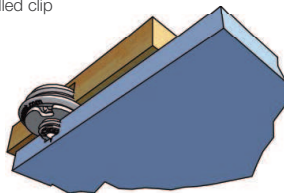
(page 1 of 2)

<p>LP-F8</p> 	<p>USE WITH:</p>	<p>INSTALL WITH:</p>
	<p>LP-M8A LP-SM8AS</p> 	<p>CP-08ST CT-09 CT-10 CT-19</p>  <p>25Ø drill</p>

INSTALLATION STEPS

<p>1 Drill 25Ø hole in frame</p>  <p>25mm drill bit</p>	<p>2 Screw LP-F8 into frame. Use battery drill with clutch set.</p>  <p>LP-F8 CT-20</p>	<p>3 Fit CP-08ST centre point into LP-F8</p>  <p>CP-08ST</p>
<p>4 Press panel onto CP-08ST to mark</p> 	<p>5 Drill panel on mark with CT-09</p>  <p>10 6</p>	<p>6 Screw fit LP-M8A with CT-10. Use battery drill with clutch set.</p>  <p>CT-10</p>

A Cutaway view of installed clip







NB. CT-12 to CSK hole edge in hard material (1-2mm)

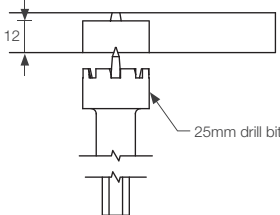
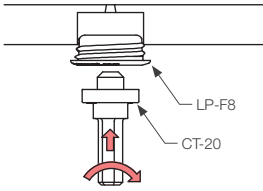
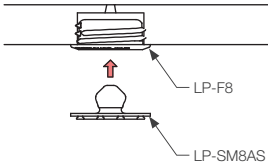
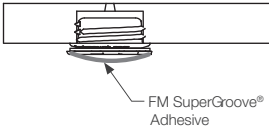
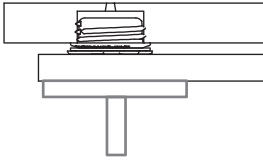
MORE INFO: Clip Layout guide TD-02 & TD-08

LP-F8 Low Profile Self Tapping Female

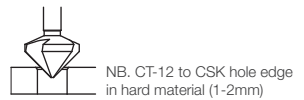
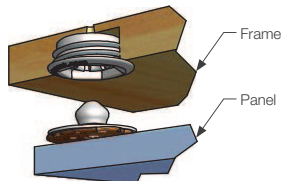
(page 2 of 2)

<p>LP-F8</p> 	<p>USE WITH:</p>	<p>INSTALL WITH:</p>
	<p>LP-M8A LP-SM8As</p> 	<p>CT-19</p>  <p>25Ø drill</p> 

INSTALLATION STEPS Adhesive fix option

<p>1 Drill 25Ø hole in frame</p>  <p>25mm drill bit</p>	<p>2 Screw LP-F8 into frame, use battery drill with clutch set.</p>  <p>LP-F8 CT-20</p>	<p>3 Fit LP-SM8AS into LP-F8</p>  <p>LP-F8 LP-SM8AS</p>
<p>4 Adhesive to LP-SM8AS</p>  <p>FM SuperGroove® Adhesive</p>	<p>5 Drill panel on mark with CT-09</p> 	

A Cutaway view of installed clip (panel removed)



MORE INFO: Clip Layout guide TD-02 & TD-08