

Docking Drawer®

In-drawer charging & powering outlets

We are the market leader of in-drawer electrical outlets. Offering a full array of ETL Listed solutions, we are committed to charging and powering today's connected lifestyle with innovative solutions. Our patented and simple-to-specify outlets offer a reliable way to add movable drawer outlets safely, while keeping your spaces organized.



photo credit
STUDIO DEARBORN

Smart.

Interlocking circuit breakers in charging outlets and thermostats in powering outlets ensure safe operations.

Simple.

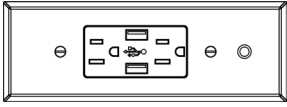
Our Blade™ outlets are designed to fit into any standard cabinet spaces, so specification and installation can occur at the beginning, middle, or end of the project.

Safe.

Docking Drawer outlets are ETL Listed to UL962a and CSA 22.2 (USB only outlets). Assemblies are cycle tested over 500,000 times to ensure a long life of safe operation.

Charging Outlets

Blade™



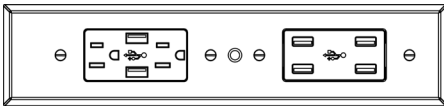
Blade Series

Charging Series outlets are specifically designed to charge today's technology, and they feature a built-in circuit breaker preventing high power devices such as hair dryers from being used. Charge up to eight devices at a time.



Max Current = 3 amps

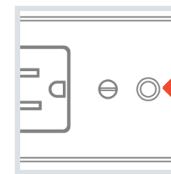
Blade Duo™



Where to Install:

- Kitchens
- Desks
- Closets
- Furniture

Interlocking Safety Feature:

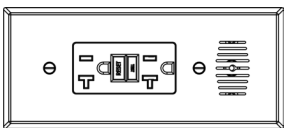


Circuit Breaker

Powering Outlets

Style Drawer Blade™

Style Drawer Flush™



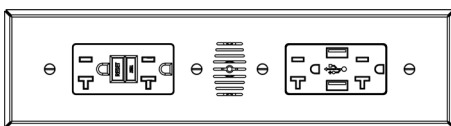
Style Drawer Blade & Flush Series

Our in-drawer power outlets are ideal for hair dryers, curling irons, and anything requiring up to 20 amps of current. Outlets feature a UL Listed thermostat that cuts power to the outlet in the event that the surrounding temperature exceeds 120° F. Power up to 4 devices at a time.



Max Current = 20 amps

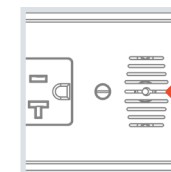
Style Drawer Blade Duo™



Where to Install:

- Bathrooms
- Kitchens
- Furniture
- Any Drawer

Interlocking Safety Feature:



Thermostat

How to Choose an Outlet

STEP 1

Choose your Application

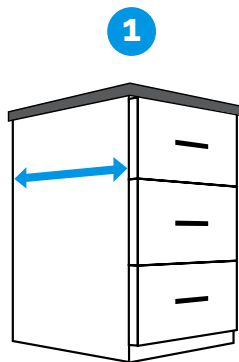
Are you creating an in-drawer charging station to declutter your kitchen? Or are you wanting an in-drawer outlet to power your hair-dryer or another small appliance? Docking Drawer manufactures two types of in-drawer outlets: **Charging** (max current = 3 amps) and **Powering** (max current = 20 amps).



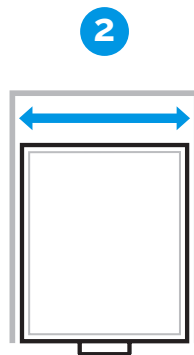
STEP 2

Measure your Cabinet

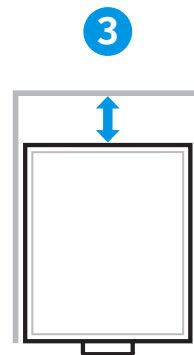
Docking Drawer outlets come in a variety of sizes offering different ranges of extensions. Here is how to find the size that works for you.



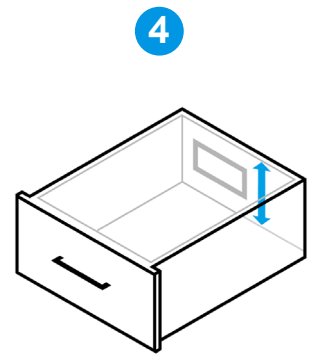
1 Start your project by measuring the cabinet depth.



2 Measure the outer dimension of the drawer box width.



3 Then measure the space available behind the drawer box.



4 Then measure the interior drawer box height.

STEP 3

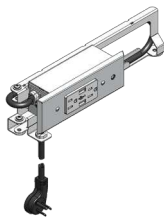
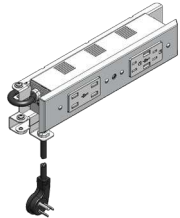
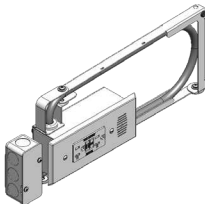
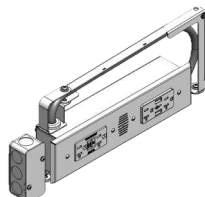
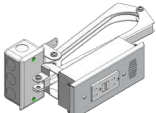
Use the Sizing Chart on Back page to Select an Outlet

STEP 4

Download our Resources





Planning an in-drawer outlet installation is easy using the resources available in our Specification Library at www.dockingdrawer.com.

Once there, download Mounting Diagrams to plan an installation, get DFX and STEP files to import into 2D and 3D programs, or review the Electrical Planning Guide to locate in-cabinet power to connect Docking Drawer or Style Drawer outlets.

	CHARGING				POWERING						
Outlet Type	Docking Drawer Blade™		Docking Drawer Blade Duo™		Style Drawer Blade™		Style Drawer Blade Duo™		Style Drawer Flush™		
											
Outlet Name & Part Number	Blade 0290-30000	Blade USB 0290-30001	Duo 0290-30100	Duo USB 0290-30101	24 Blade 0290-00324	21 Blade 0290-00321	24 Blade Duo 0290-20324	21 Blade Duo 0290-20321	24 Flush 0290-00033	21 Flush 0290-00032	18 Flush 0290-00050
Finish	White, Black, Stainless Steel										

CABINET SPECIFICATIONS											
Cabinet Depth	≤ 24"				≤ 24"	≤ 21"	≤ 24"	≤ 21"	≤ 24"	≤ 21"	≤ 18"
Minimum drawer box width (OD)	≥ 15"				≥ 16"- ≥ 19.75"	≥ 14.5"- ≥ 18.25"	≥ 16"- ≥ 19.75"	≥ 14.5"- ≥ 18.25"	≥ 13.5"	≥ 12"	≥ 10.5"
Minimum space behind drawer box	2"				2"				5"		
Minimum interior drawer box height	3"				4" - 5.25"				4"		

Features:	AC/USB	ALL USB	GFCI	
ETL Listed to UL962a	Yes		Yes	
ETL Listed to CSA - 22.2	No	Yes	No	
Interlocking Safety Feature	Circuit Breaker		Manual Reset Thermostat	
Electrical Connection	4 1/2' cord with a NEMA 5-15P plug		Hardwired	
Warranty	2 Years			

Receptacle:	CHARGING		POWERING	
				
Tamper Resistant	Yes	NA	Yes	Yes
120V AC Outlets	2	0	2	2
USB Ports	2	4	0	2
GFCI	0		2	Yes (Inline to GFCI outlet)
Max Current	AC: 3 amps @ 120 VAC USB 3.6 amps @ 5 VDC	4.2 amps @ 5 VDC	20 amps	AC: 20 amps @ 120 VAC (Combined) USB 3.6 amps @ 5 VDC
LED Indicator	No		Yes	No