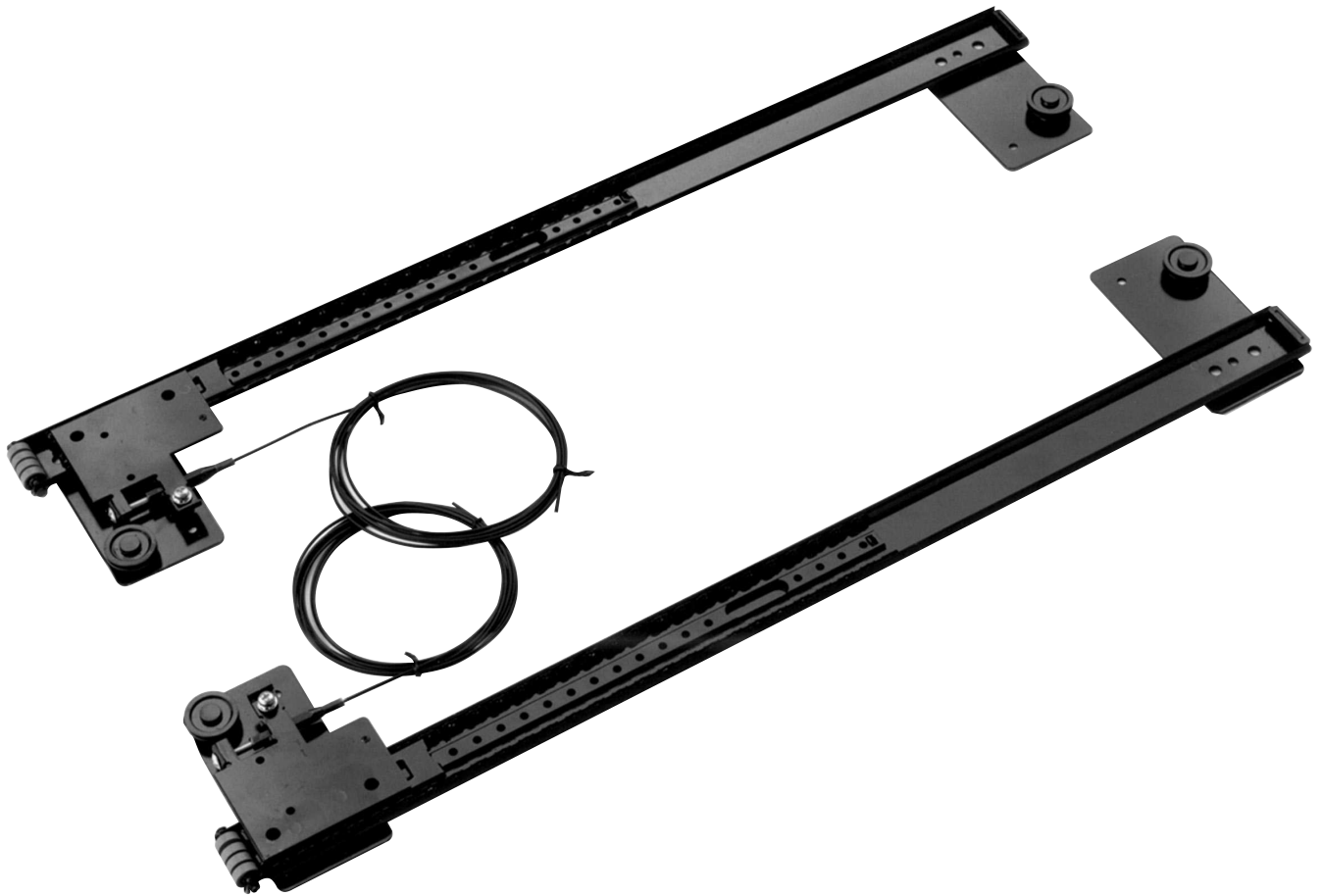


Item No.: 408.24. Series

## XL Pocket Door Slide System

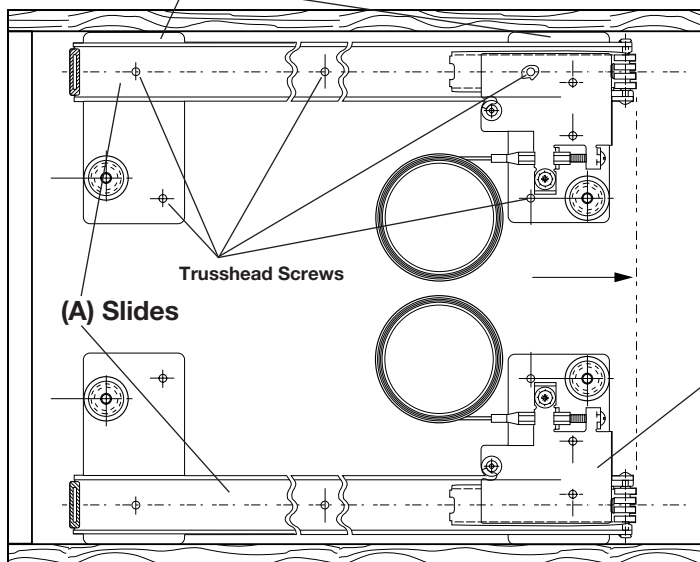


**Finish: Black Electroplated Zinc**

**Maximum Door Weight: 35 lbs.**

**Maximum Door Size: 60" Height x 24" Wide**

**(B) Pre-mounted Spacer Tabs**



**1 Mounting the slides**

Attach slides (A) to side panels using (8) Trusshead screws (013.03.304) as shown.

Top and bottom locations are determined by pre-mounted spacer tabs (B). This assumes cabinet is square and parallel.

Make sure slides are absolutely parallel.

Backset is measured from front edge of cabinet to front edge of rollers:

Inlay doors:  
Backset = door thickness + 1 mm.

Overlay doors:  
Backset = 1 mm.

**(C) Hinge Carrier**

**2 Attaching the cables**

Slide and lock hinge carriers (C) into forward position.

Uncoil cable and wrap around the rear pulley of the same slide.

Wrap cable on the front pulley of opposing slide.

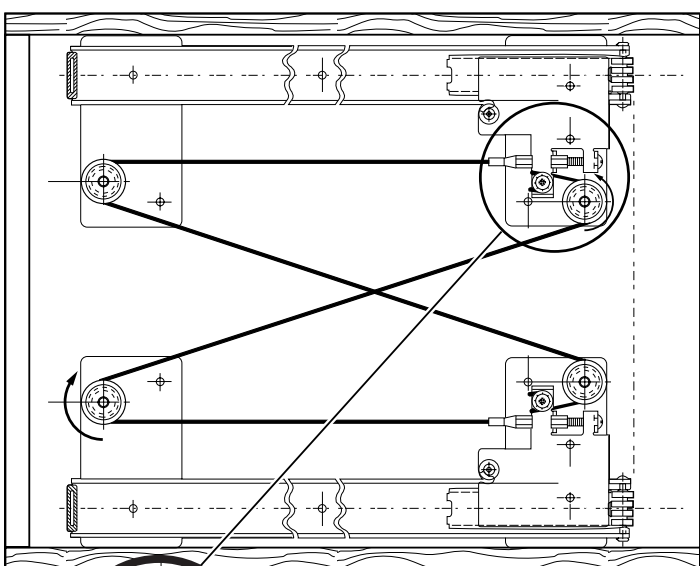
Lead cable under and around set screw bracket being sure cable seats in notch.

Wrap cable under set screw washer (D). Only one wrap is necessary.

Tension cable by hand and tighten set screw firmly.

Cut off any excess cable.

Repeat accordingly for opposing slide.



**3 Mounting hinge and door**

Attach hinge mounting plates (F) to slides using (4) M4 x 5 mm screws. (020.05.210)

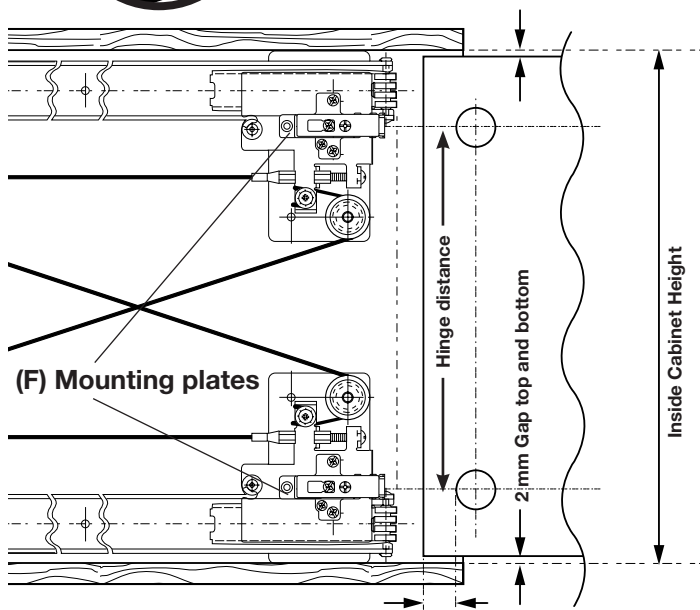
**Preparing the door**

Measure inside height of cabinet.

Cut doors approximately 4 mm (5/32") less than inside height of cabinet to allow for a 2 mm gap at top and bottom.

Measure distance between centerlines of top and bottom mounting plates (F) already mounted. Transfer distance to door being sure top and bottom distances are equal. Determine tab distance from chart below.

**E: Cable Adjuster**  
**D: Set Screw**



Door Type	Door Thickness	Tab
Inlay doors	19-32 mm	14 mm
40 mm cup hinge	(3/4"-1 1/4")	(9/16")
*Overlay doors	19-22 mm	14 mm
40 mm cup hinge	(3/4"-7/8")	(9/16")
Door Type	Door Thickness	Tab
Inlay doors	16-19 mm	8 mm
35 mm cup hinge	(5/8"-3/4")	(5/16")

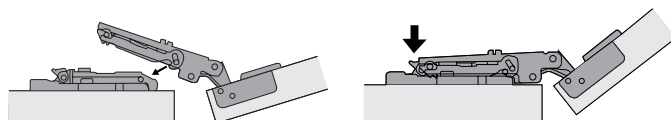
\*Maximum overlay - 7 mm (1/4")

Drill doors using a 35 or 40 mm drill bit.

Install hinges in door using (4) 3.5 x 15 mm raised head countersunk screws (015.55.639).

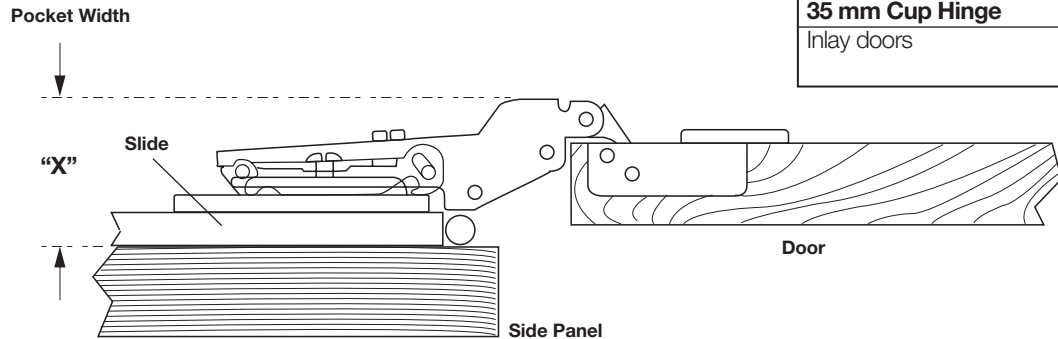
Install the door onto the mounting plates.

Close door and check clearances to determine necessary adjustments.



## Pocket width required using up to a maximum door size of 1 1/4" (32 mm)

Door Type	Pocket Width "X"
Inlay doors	64 mm (2 1/2")
Overlay doors	50 mm (2")
<b>35 mm Cup Hinge</b>	
Inlay doors	45 mm (1 3/4")



## Accessory Pack Contents

### Inlay Door Accessory Pack (Door thickness 16 mm–19 mm)

Set includes:

- 4 - 020.05.211 - Hinge plate mounting screws, M4 x 5 mm
- 4 - 015.55.639 - Hinge mounting screws, 3.5 x 15 mm
- 2 - 418.09.301 - Pivot roller
- 2 - 015.31.675 - Pivot roller mounting screws
- 10 - 013.03.304 - Slide mounting screws
- 2 - 329.31.502 - Duomatic 94°, 35 mm cup, self-closing, or
- 2 - 329.31.502 - Duomatic 94°, 35 mm cup, free swinging
- 2 - 329.71.503 - Duomatic clip mounting plate

Description	Item No.
self-closing	408.24.020
free-swinging	408.24.050

### Inlay Door Accessory Pack (Door thickness 19 mm–32 mm)

Set includes:

- 4 - 020.05.211 - Hinge plate mounting screws, M4 x 5 mm
- 4 - 015.55.639 - Hinge mounting screws, 3.5 x 15 mm
- 2 - 418.09.301 - Pivot roller
- 2 - 015.31.675 - Pivot roller mounting screws
- 10 - 013.03.304 - Slide mounting screws
- 2 - 329.05.632 - Duomatic 94°, 40 mm cup, self-closing, or
- 2 - 329.05.635 - Duomatic 94°, 40 mm cup, free swinging
- 2 - 329.71.500 - Duomatic clip mounting plate

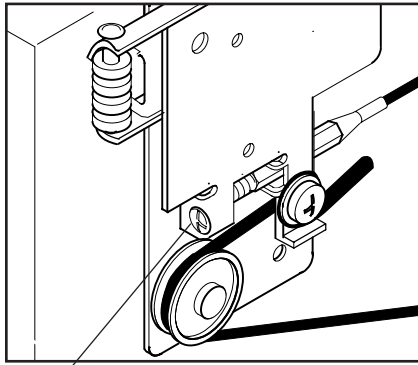
Description	Item No.
self-closing	408.24.002
free-swinging	408.24.004

### Overlay Door Accessory Pack (Door thickness 19 mm–22 mm)

Set includes:

- 4 - 020.05.211 - Hinge plate mounting screws, M4 x 5 mm
- 4 - 015.55.639 - Hinge mounting screws, 3.5 x 15 mm
- 2 - 418.09.301 - Pivot roller
- 2 - 015.31.675 - Pivot roller mounting screw
- 10 - 013.03.304 - Slide mounting screws
- 2 - 329.05.614 - Duomatic 94°, 40 mm cup, self-closing
- 2 - 329.71.503 - Duomatic clip mounting plate

	Item No.
	408.24.011



(E) Cable Adjuster

## ④ Door adjustments

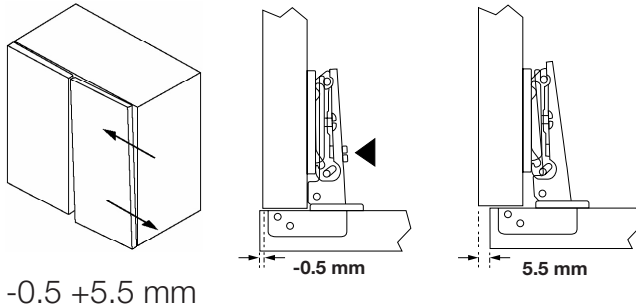
Adjust out any sag in the door using the cable adjuster (E) Do not over tighten cable. Cable should only have light tension applied.

Make further adjustments using adjusting screws on hinge and mounting plates. (see diagram)

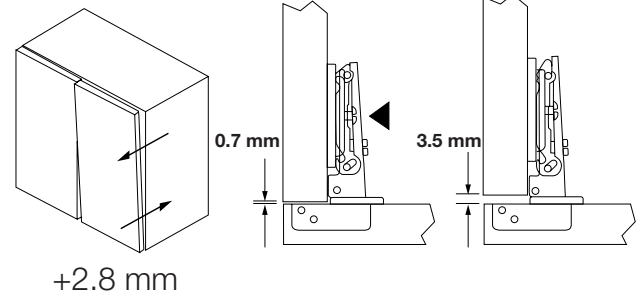
Test ease of operation by sliding door in and out.

## Hinge adjustments

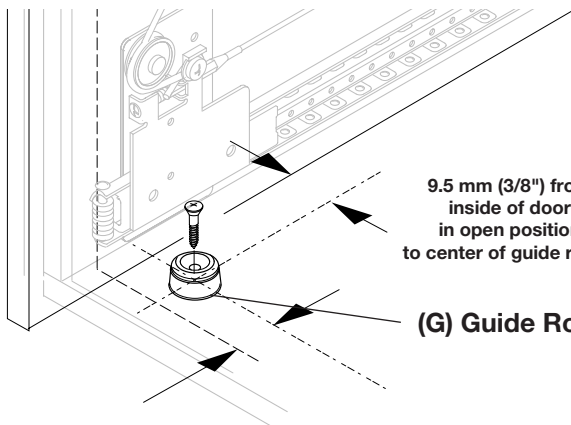
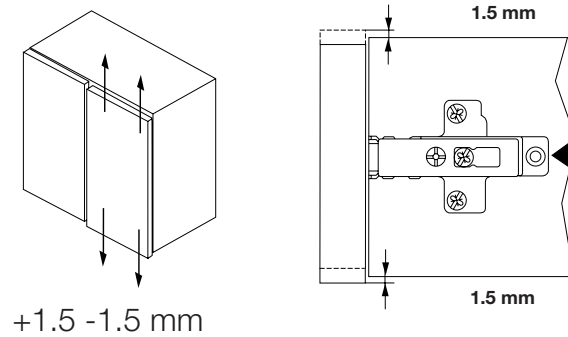
### Side Adjustment



### Depth Adjustment



### Height Adjustment



9.5 mm (3/8") from inside of door in open position to center of guide roller.

(G) Guide Roller

9.5 mm (3/8") from inside of door in closed position to center of guide roller.

## ⑤ Install Guide Roller

Locate and install guide roller (G) as shown, using pivot roller screw. (418.09.301, 015.31.675)

# HÄFELE

3901 Cheyenne Drive • Archdale, NC 27263  
1-800-423-3531 • [www.hafele.com/us](http://www.hafele.com/us)