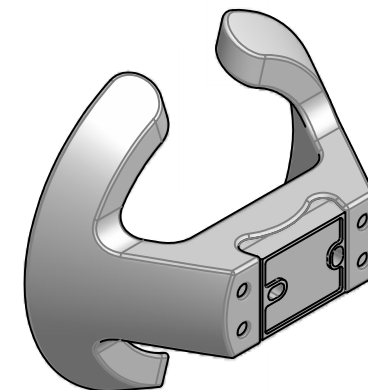
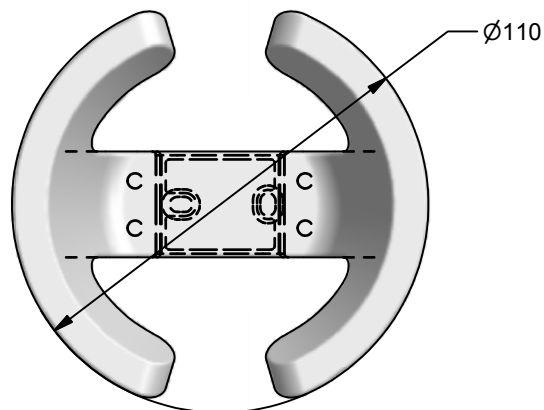
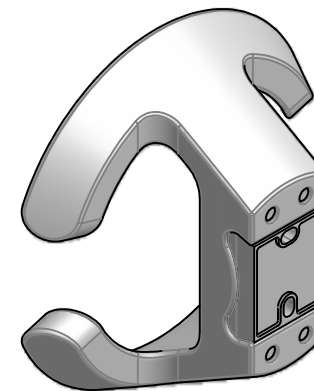


ARTICLE NUMBER	FINISH
843.65.600	Matt Nickel
843.65.900	Matt Aluminum



STATUS
05
843.65.X00

Coat Hook		STATUS
DATE:	6/12/2009	05
SCALE:		843.65.X00
DRAWN BY:	NPG	
PUM APPROVAL	JR	
SPECIFICATION		
ISO 2768-m		
MATERIAL		
Zinc Die-cast		
FINISH:		
See chart		
CUSTOMER APPROVAL		

RevNo	Project # or Change request #	Date	Signature	Checked
000	Prj.#.165.999.2158	06.15.09	NPG	JR

NOTICE
 THIS DRAWING AND ALL INFORMATION THEREON IS THE PROPERTY OF:
HÄFELE
 THIS DRAWING AND INFORMATION THEREON IS CONFIDENTIAL. MUST NOT
 MADE PUBLIC, COPIED OR USED TO DISADVANTAGE OF SAID HÄFELE
 AMERICA CO. IT IS SUBJECT TO RETURN ON DEMAND.
 2008 HAFELE AMERICA, CO.