



LED 2041
LED 2042

| | |
|------------|------------|
| 833.74.180 | 833.74.170 |
| 833.74.181 | 833.74.171 |
| 833.74.182 | 833.74.172 |
| 833.74.183 | 833.74.173 |

| 12 V System | K | W | T _A | mm | mm | | | | | |
|-------------|--------|---------|------------------------------------|-----------------|-------------|--|--|--|--|--|
| 833.74.180 | 2700 K | 9.6 W/m | -20 °C – +45 °C -4 °F – +113 °F | 15000 x 8 x 1.3 | ≥ 18 x 11.3 | | | | | |
| 833.74.181 | 3000 K | | | | | | | | | |
| 833.74.182 | 4000 K | | | | | | | | | |
| 833.74.183 | 5000 K | | | | | | | | | |
| 833.74.170 | 2700 K | 4.8 W/m | | | | | | | | |
| 833.74.171 | 3000 K | | | | | | | | | |
| 833.74.172 | 4000 K | | | | | | | | | |
| 833.74.173 | 5000 K | | | | | | | | | |

732.28.217

A

B

C

D 833.73.748

E 833.73.738

+

833.73.747

2000

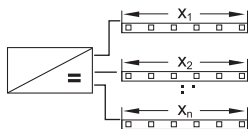
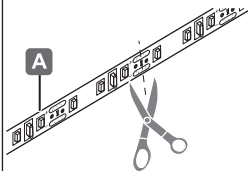
| X | |
|------|------------|
| 50 | 833.73.743 |
| 500 | 833.73.744 |
| 1000 | 833.73.745 |
| 2000 | 833.73.746 |

i

100 - 240 V~

HDE 04/2017

1



$$X_1 + X_2 + \dots + X_n \leq X$$

i

| 12 V / 6 W | | |
|------------|-----------|-------|
| | x_n [m] | X [m] |
| LED 2041 | 0.500 | 0.500 |
| LED 2042 | 1.000 | 1.000 |

| 12 V / 15 W | | |
|-------------|-----------|-------|
| | x_n [m] | X [m] |
| LED 2041 | 1.250 | 1.250 |
| LED 2042 | 2.500 | 2.500 |

| 12 V / 20 W | | |
|-------------|-----------|-------|
| | x_n [m] | X [m] |
| LED 2041 | 1.650 | 1.650 |
| LED 2042 | 3.300 | 3.300 |

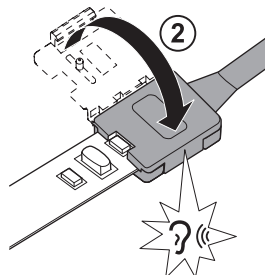
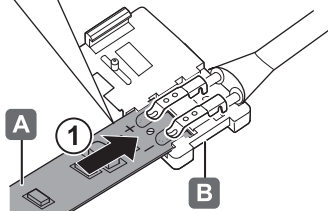
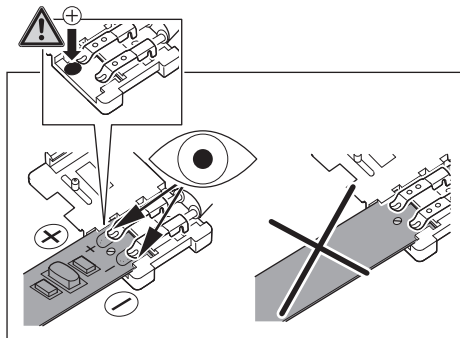
| 12 V / 27 W | | |
|-------------|-----------|-------|
| | x_n [m] | X [m] |
| LED 2041 | 2.250 | 2.250 |
| LED 2042 | 4.500 | 4.500 |

| 12 V / 40 W | | |
|-------------|-----------|-------|
| | x_n [m] | X [m] |
| LED 2041 | 3.325 | 3.325 |
| LED 2042 | 5.000 | 6.650 |

| 12 V / 60 W | | |
|-------------|-----------|-------|
| | x_n [m] | X [m] |
| LED 2041 | 4.375 | 5.000 |
| LED 2042 | 5.000 | 10.00 |

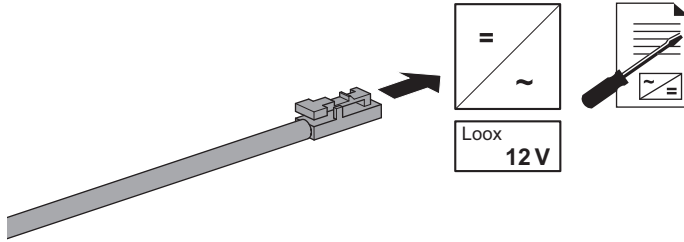
732.26.217

2



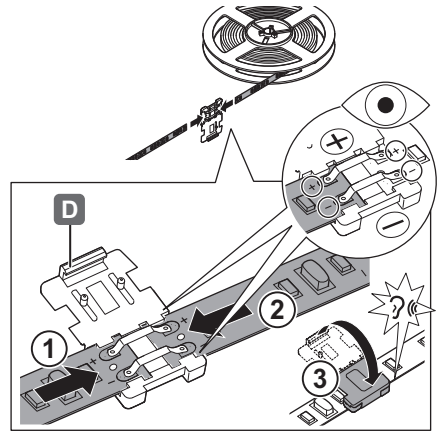
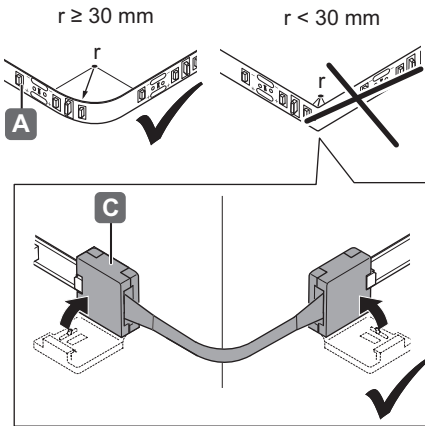
HDE 04/2017

3



+

7.32.26.217



HDE 04/2017

