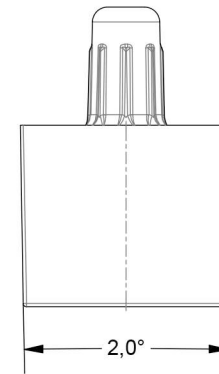
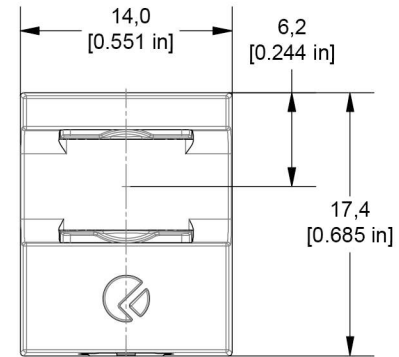
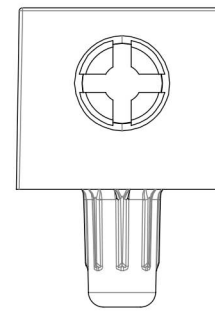
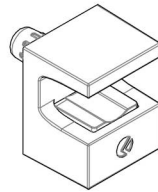
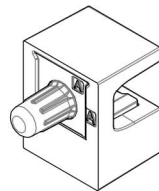


(1:1)



REVISION
-

ITEM/CATALOG NUMBER 284.04.654	DRAWING NUMBER 284.04.654
TITLE KRISTAL GLASS SUPPORT PIN MOUNT, 5-6MM GLASS	
MATERIAL ZINC	FINISH NICKEL-PLATED
<small>NOTICE</small> THIS DRAWING AND ALL INFORMATION THEREON IS THE PROPERTY OF: HÄFELE <small>THIS DRAWING AND INFORMATION THEREON IS CONFIDENTIAL. MUST NOT BE MADE PUBLIC. COPIES OR USE BY THE DISADVANTAGE OF SAID HÄFELE AMERICA, CO. IT IS SUBJECT TO RETURN ON DEMAND.</small> <small>© 2017 HÄFELE AMERICA, CO.</small>	
DRAWN BY: NPG	
APPROVED BY: JF	
DATE: 7/21/2010	
SCALE: 2:1	
TOLERANCE SPECIFICATION ISO 2768-m	ISO E
SIZE A	SHEET 1 OF 1