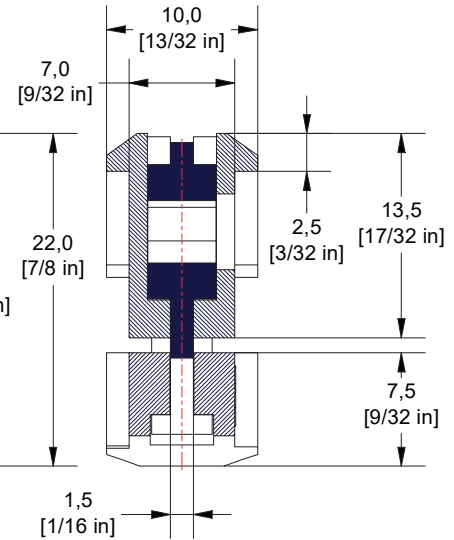
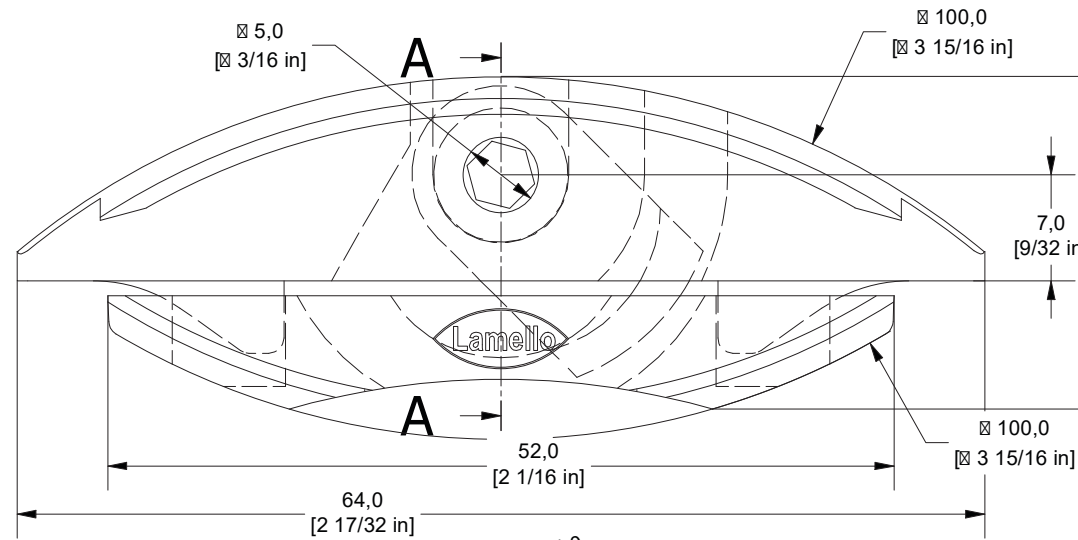
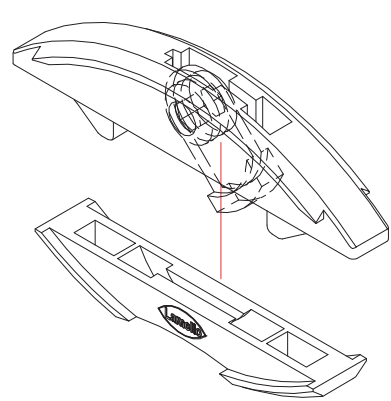
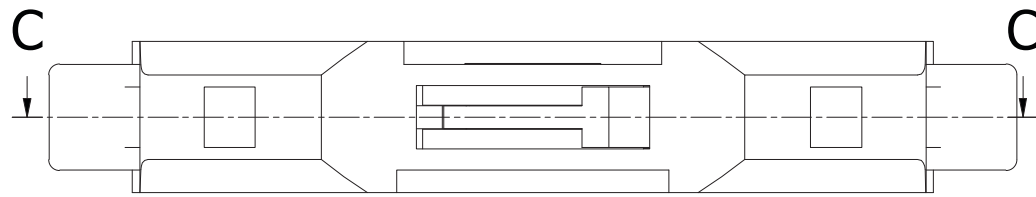
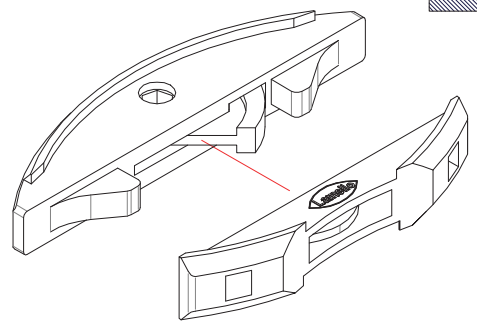
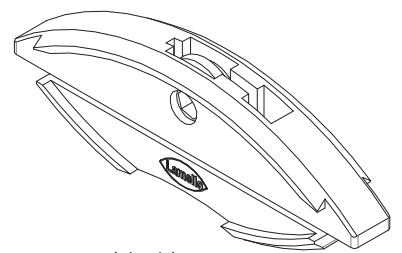
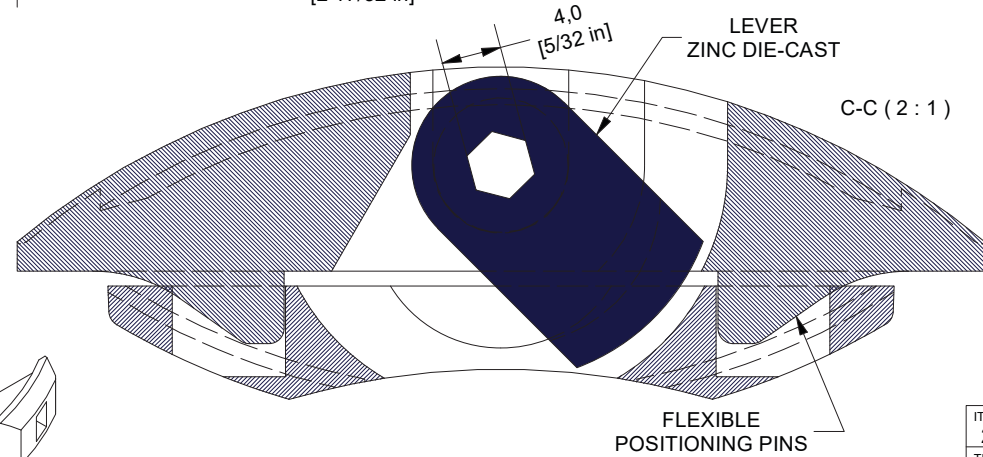


ITEM #	PACKING
267.91.302	80 PCS
267.91.303	300 PCS
267.91.304	1000 PCS



A-A (2 : 1)



REVISION
-

ITEM/CATALOG NUMBER 267.91.30	DRAWING NUMBER 267.91.30X
TITLE CLAMEX P-14 FLEXUS	
MATERIAL PLASIC	FINISH BLACK
<small>NOTICE</small> <small>THIS DRAWING AND ALL INFORMATION THEREON IS THE PROPERTY OF: HÄFELE</small> <small>HÄFELE</small> <small>THIS DRAWING AND INFORMATION THEREON IS CONFIDENTIAL. MUST NOT BE MADE PUBLIC, COPIED OR USED TO DISADVANTAGE OF SAID HÄFELE AMERICA CO. IT IS SUBJECT TO RETURN ON DEMAND.</small> <small>TOLERANCE SPECIFICATION</small> ISO E	
<small>DRAWN BY:</small> NPG <small>APPROVED BY:</small> JF <small>DATE:</small> 10/7/2020 <small>SCALE:</small> 2 : 1	<small>SIZE</small> A <small>SHEET</small> 1 of 1