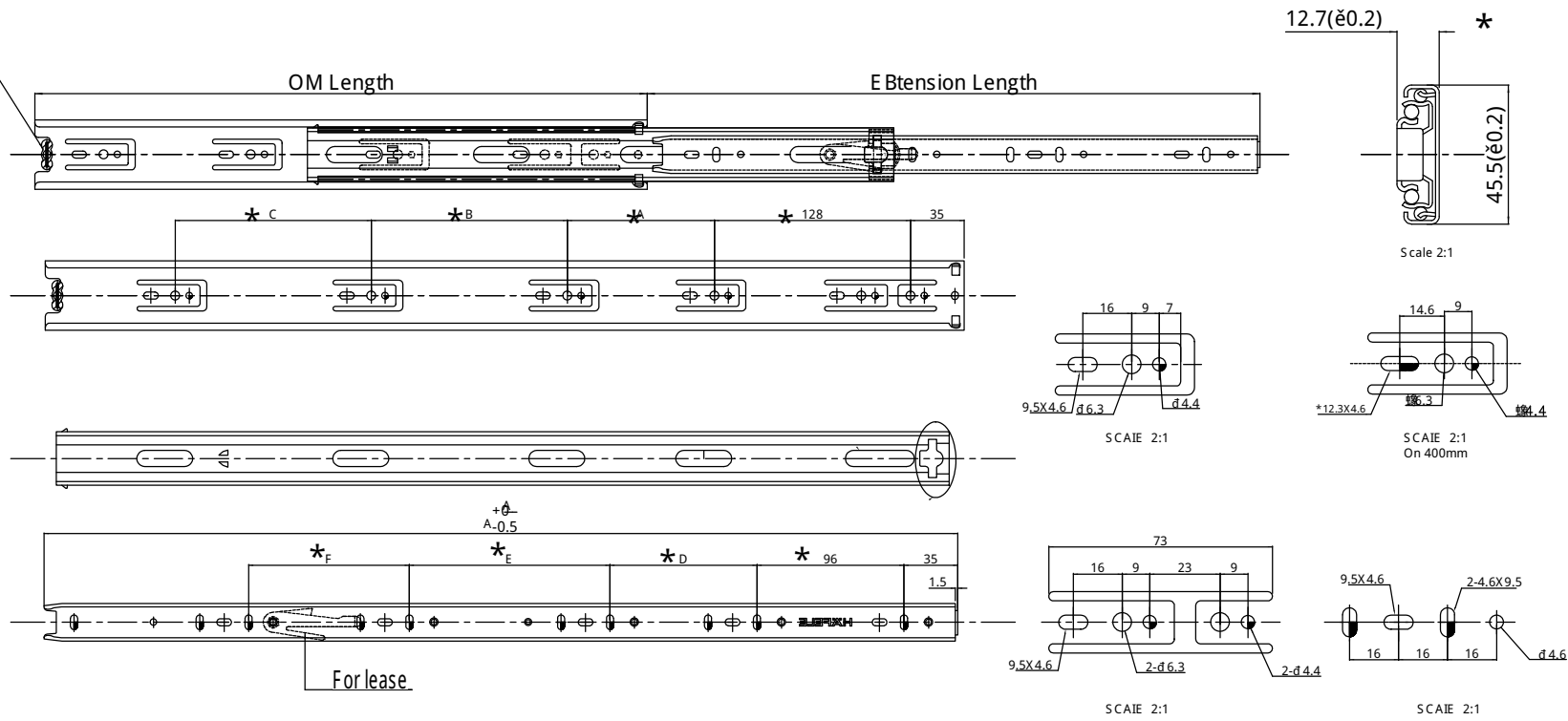


Stopper bumper, Rubber, Black  
For Hold-in, Pull force: 10-25N



E Btension length	Article.No. Zinc plated			Article.No. Electrophoresis black			OM LENGTH	MM LENGTH	IM LENGTH	A	B	C	D	E	F	Ball Cage/Ball Q'ty	Plastic strape/Ball Q'ty	Packing
	Paired	Cabinet member	Drawer memeber	Paired	Paired													
250mm	432.21.970	432.21.550	432.21.560	432.21.370	250	232	245	---	---	---	96	---	---	4"	16pcs	126mm/6	1 pair/bag,5pairs/ctn	
300mm	432.21.971	432.21.551	432.21.561	432.21.371	300	282	295	96	---	---	128	---	---	5"	20pcs	155mm/4	1 pair/bag,5pairs/ctn	
350mm	432.21.972	432.21.552	432.21.562	432.21.372	350	332	345	96	---	---	160	---	---	6"	24pcs	181mm/4	1 pair/bag,5pairs/ctn	
400mm	432.21.983	432.21.583	432.21.563	432.21.984	400	382	395	96	128	---	96	128	---	7"	28pcs	207mm/6	1 pair/bag,5pairs/ctn	
450mm	432.21.974	432.21.554	432.21.564	432.21.374	450	432	445	96	128	---	96	128	72	8"	32pcs	233mm/6	1 pair/bag,5pairs/ctn	
500mm	432.21.975	432.21.555	432.21.565	432.21.375	500	482	495	96	128	64	96	128	96	8"	32pcs	233mm/6	1 pair/bag,5pairs/ctn	
550mm	432.21.976	432.21.556	432.21.566	432.21.376	550	532	545	96	128	96	96	192	64	10"	40pcs	284.5mm/6	1 pair/bag,5pairs/ctn	
600mm	432.21.977	432.21.557	432.21.567	432.21.377	600	582	595	96	128	128	96	192	96	11"	44pcs	310mm/8	1 pair/bag,5pairs/ctn	
650mm	432.21.978	432.21.558	432.21.568	432.21.378	650	632	645	96	128	192	96	192	160	12"	48pcs	310mm/8	1 pair/bag,5pairs/ctn	
700mm	432.21.979	432.21.559	432.21.569	432.21.379	700	682	695	96	128	192	96	192	160	14"	56pcs	310mm/8	1 pair/bag,5pairs/ctn	

NOTES:  
1.LEVER-RELEASE.  
2.LOAD CAPACITY 45kg/ 100 lbs.

Acceptable Tolerance in mm DIN ISO 2768-mk

>0.5	>6	>30	>120	>400	>1000	>2000	Angle
±0.1	±0.2	±0.3	±0.5	±0.8	±1.2	±2	±0.5e

IS O E

THIS DRAWING IS THE PROPERTY OF HAFELE AMERICA COMPANY. IT IS TO BE USED ONLY FOR THE AUTHORIZED AND INTENDED PURPOSE. IT IS TO BE RETURNED UPON REQUEST.

NAME:	45mm BBR (10"-28")	
PART NO.:	432.21.XXX	
DRW. NO.:	432.21.XXX	
DRAWN BY:	GZ/NPG	DRW. DATE:
CHECKED BY:	GZ/NPG	12.12.16
APPROVAL:	B/KA	FINISH:
		Zinc plated
		SCALE:
		APR. DATE:
		UNIT:mm
		SIZE:A3

02				
01	Updated drawing to Baili's version on 2021/01/06	Grace Zhou	Hans Li	
Rev.No	Revision Note	Signature	Checked	