

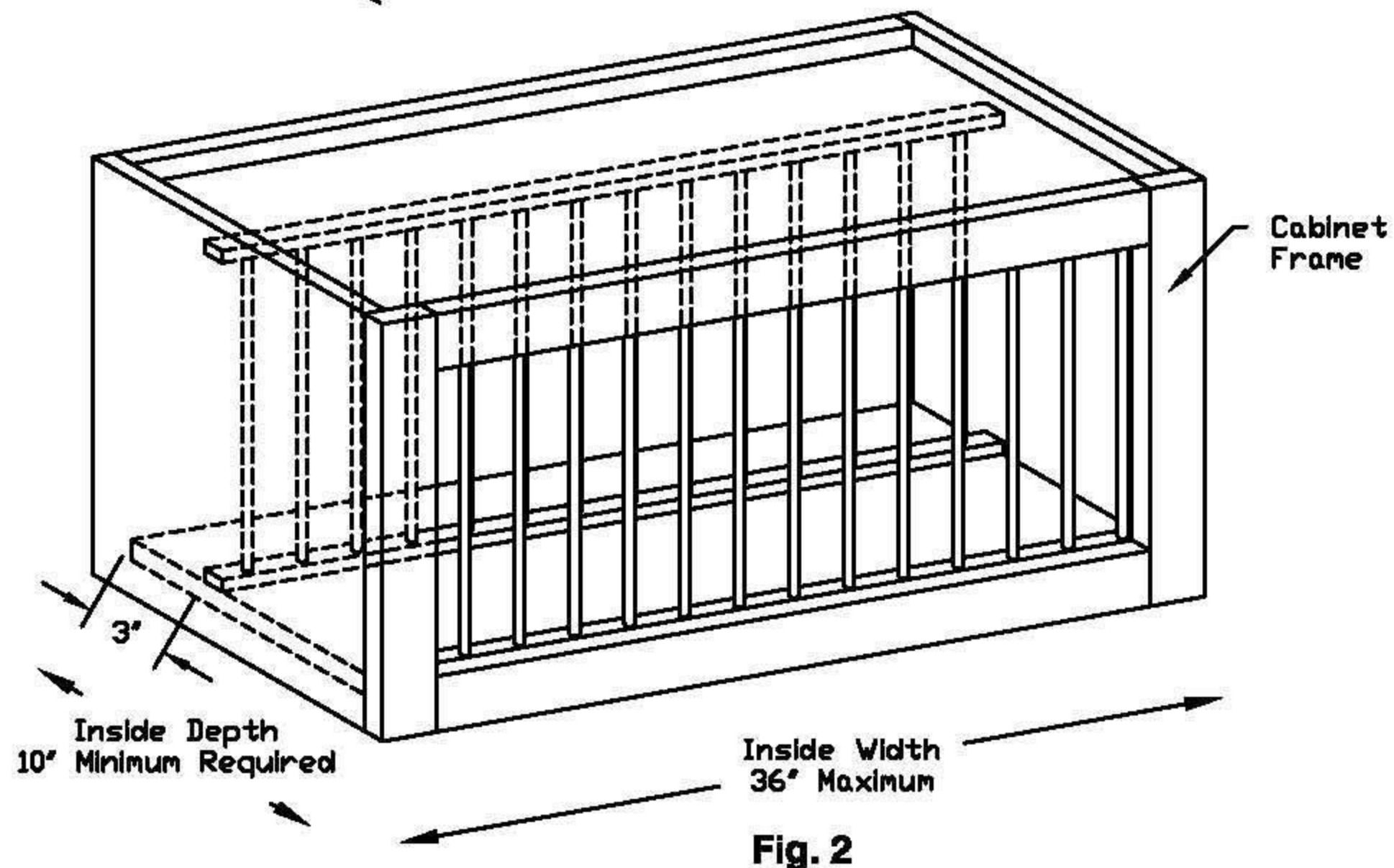
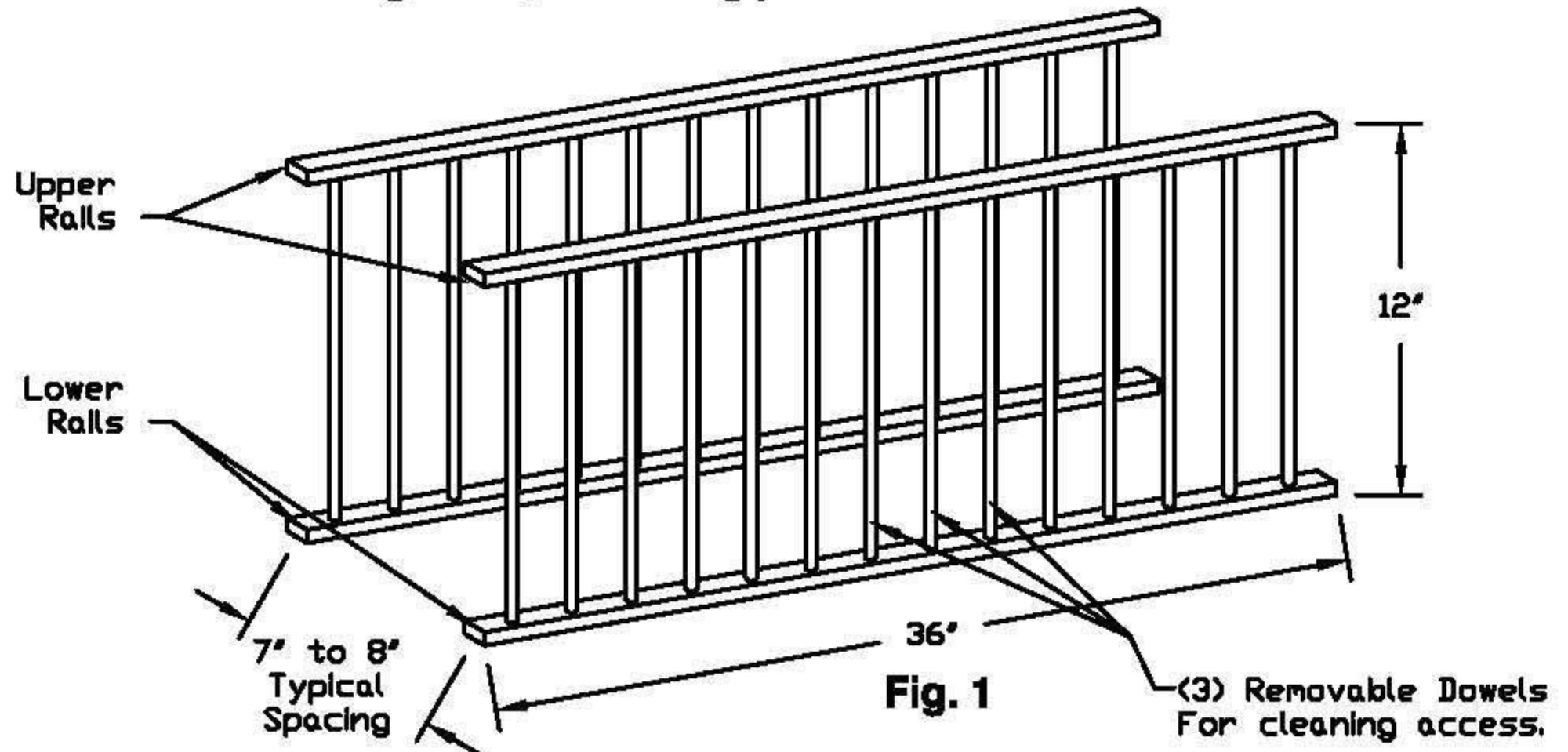
Always read the instructions completely and carefully before beginning assembly.  
Remove and check contents for damage and / or missing parts.

# Plate Rack

3/4" T x 36" W x 12" H      Cherry      541.98.660      Maple      541.98.160

**Contents of Box:**  
2 - Plate Racks

**You will need:**  
Safety Glasses  
Tape Measure  
Cut-off saw  
Brad nail gun with 3/4" brad nails



## Installation Instructions

**Step 1** Measure the depth, height and width on the inside of your cabinet.  
The minimum inside cabinet depth required = 10"  
The maximum length on the inside cabinet = 36"

**Step 2** Mark the upper and lower rails for both the front and rear plate racks to fit the inside width of your cabinet. Use a cut-off saw to cut the rails to proper length.  
**IMPORTANT!** Cut an Equal amount off each end, keeping the removable dowels centered.  
**example:** to fit a 30" width, cut 3" off each end of a 36" upper and lower rail.

**Step 3** Install the rear plate rack towards the back of the cabinet, keeping it approximately 3" from the back of the cabinet.  
**IMPORTANT!** Do not mount against the back of the cabinet. Fix the plate rack into position with a brad nail gun, a 3/4" brad is recommended for nailing into 1/2" thick material. (Note: Use caution on nail placement as not to shoot the nail through the cabinet.)

**You must install the plate racks between 7" and 8" apart to accommodate standard plate sizes.**

**Step 4** Install the front plate rack up against the back of the cabinet frame at the front. (Note: For deeper cabinets you can position the plate rack further back in the cabinet.) Fix the plate rack into position with a brad nail gun, a 3/4" brad is recommended for nailing into 1/2" thick material. (Note: Use caution on nail placement as not to shoot the nail through the cabinet.)