

Always read the instructions completely and carefully before beginning assembly.
Remove and check contents for damage and / or missing parts.

Wine Rack

	Cherry	Maple
7/8"TH x 17"W x 29"L	541.98.670	541.98.170
7/8"TH x 17"W x 36"L	541.98.671	541.98.171
7/8"TH x 23"W x 29"L	541.98.672	541.98.172
7/8"TH x 23"W x 42"L	541.98.673	541.98.173

Contents of Box:
2 - Wine Racks

You will need:

Safety Glasses
Tape Measure
Table saw
Brad nail gun with 5/8" brad nails

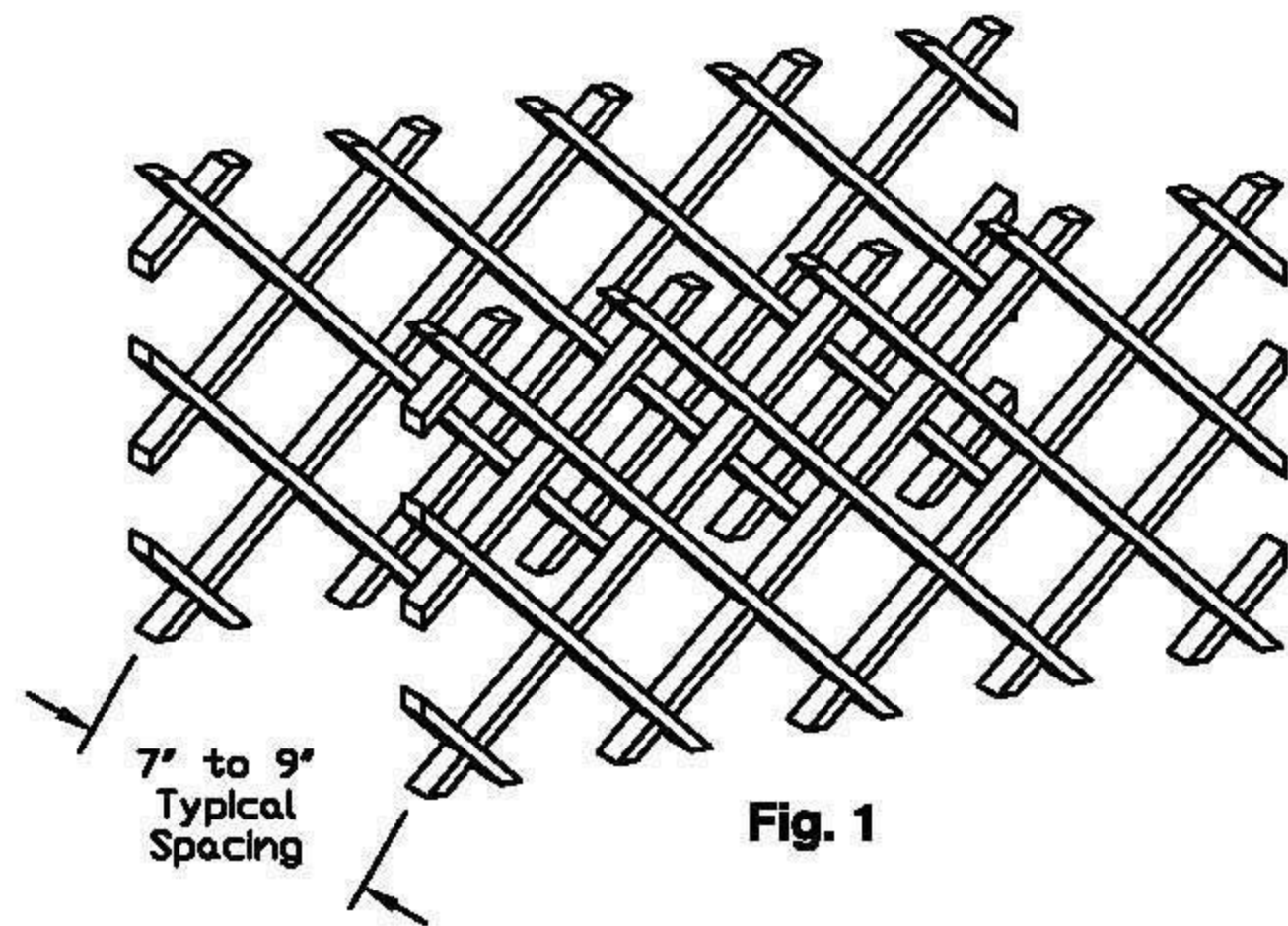


Fig. 1

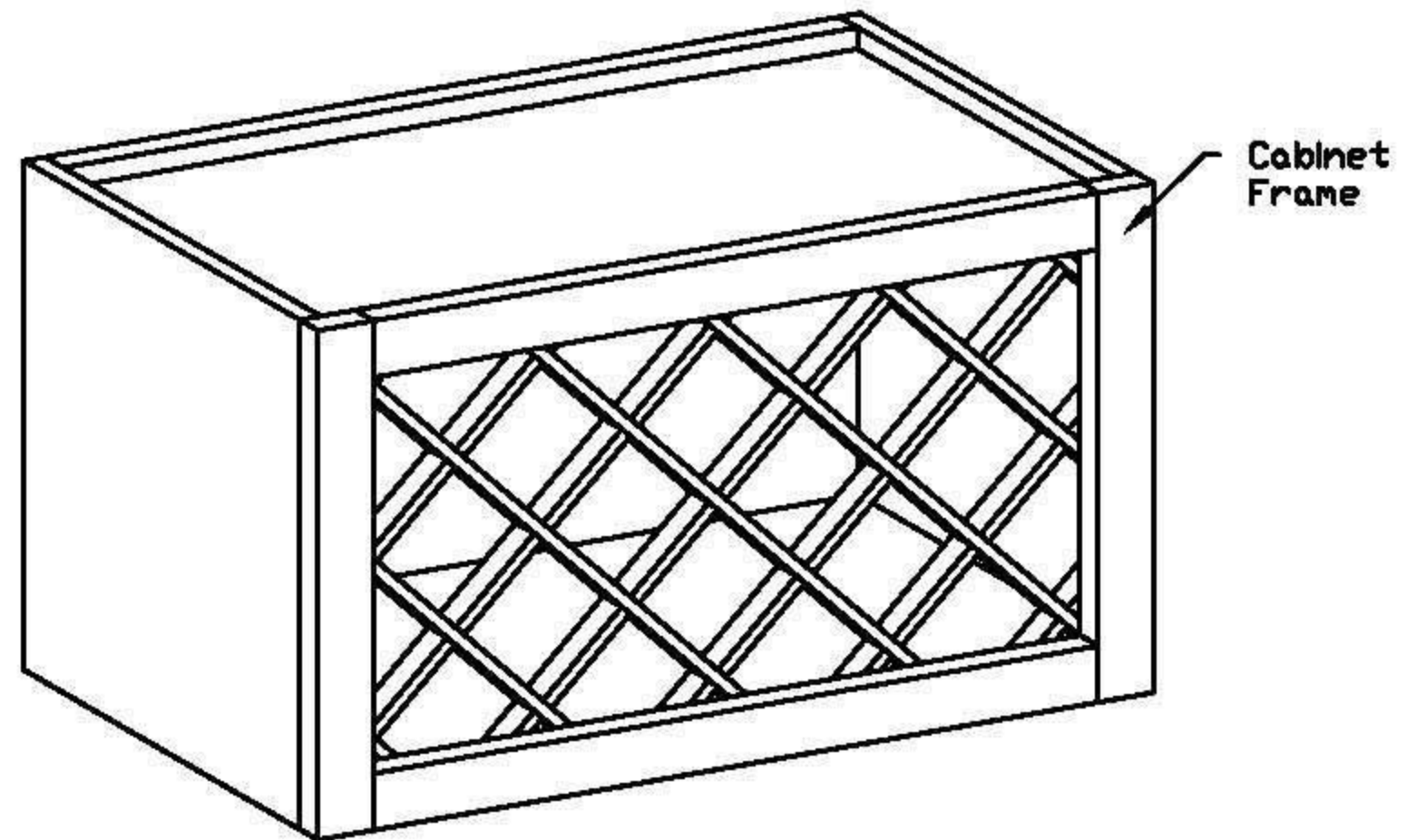


Fig. 2

Installation Instructions

- Step 1** Measure the depth, height and width on the inside of your cabinet.
The minimum inside cabinet depth required = 10"
- Step 2** Mark the wine racks for both the front and rear wine racks to fit the inside height and width of your cabinet. Use a table saw to cut the wine racks to proper height and length.
IMPORTANT! Cut an Equal amount off each end.
example: to fit a 34" width, cut 1" off each side of a 36" wine rack.
- Step 3** Install the rear wine rack towards the back of the cabinet, keeping it approximately 3" from the back of the cabinet.
IMPORTANT! Do not mount against the back of the cabinet. Fix the wine rack into position with a brad nail gun, a 5/8" brad is recommended for nailing into 1/2" thick material. (**IMPORTANT!** Use caution on nail placement as not to shoot the nail through the cabinet.)
- You must install the wine racks between 7" and 9" apart to accommodate standard bottle sizes.**
- Step 4** Install the front wine rack up against the back of the cabinet frame at the front. (Note: For deeper cabinets you can position the wine rack further back in the cabinet.) Fix the wine rack into position with a brad nail gun, a 5/8" brad is recommended for nailing into 1/2" thick material. (**IMPORTANT!** Use caution on nail placement as not to shoot the nail through the cabinet.)