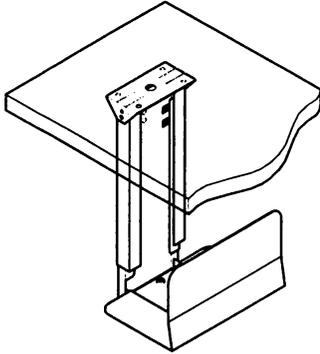


CPU Holder



Before starting assembly
Please spend some times to read this assembling and follow the procedures step by step assembly guide.

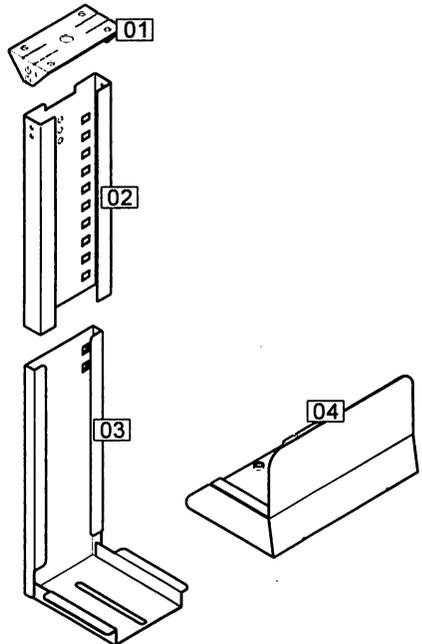
Some panels are viewed differently from the exploded drawing below. This is for extra clarity. Do not discard any of the packaging until you have checked all the parts and the package of fittings. If you are missing any of the parts, please contact the store from which you purchased your products. The staff will do their best to help you.

Parts Check-List

Code	Component	Qty
01	Small Top	1
02	Top Bracket	1
03	Bottom Bracket	1
04	Holder	1

Fitting Check-List

Code	Description		Qty
05	Screw		4
06	Spacer		1
07	Large Washer		1
08	Knob		1
09	Round Foam Pad		1set
10	Foam Pad		4
11	Thick Pad		2



Tools Check-List

Allen Key



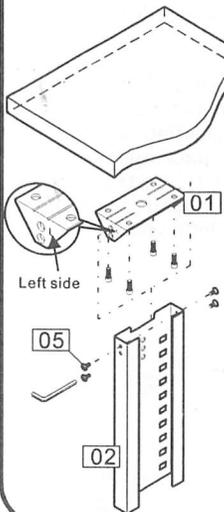
Caution:

Regular cleaning with a clean dry cloth is usually sufficient, but for stubborn marks, wipe over gently with a clean damp cloth. Never use strong detergents or abrasive cleaners as these may damage the surface finish of your furniture. There are many small components used in the construction of this unit. These loose items should be kept away from young children while assembling your unit.

Assembly Guide

1

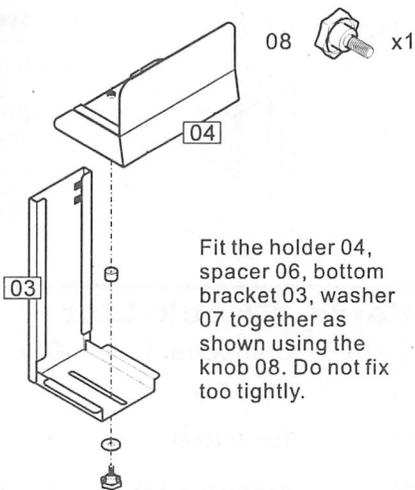
05 x4



Before assembling, please make sure the position you want to set up (right or left). If you like to set it up in the left side, turn the "L" sign of the small top 01 onward. If you want to set it up in the right side, turn the "R" sign onward. After making sure the direction, secure the small top 01 under desk with screws (not included). Secure top bracket 02 to small top 01 with screws 05. Fully tighten with allen key provided.

2

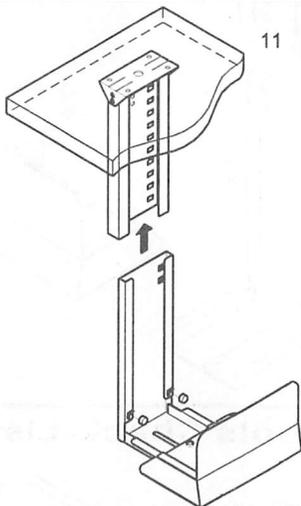
06 x1 07 x1



Fit the holder 04, spacer 06, bottom bracket 03, washer 07 together as shown using the knob 08. Do not fix too tightly.

3

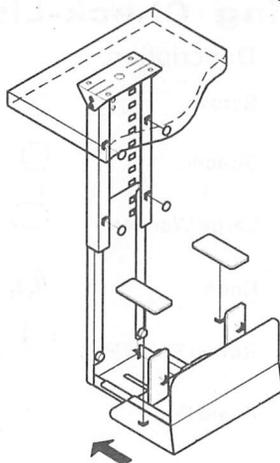
11 x2



Secure the fitted bottom bracket to the top bracket to desired height. There are 8 stops in total; each pitch is 25mm. CPU height is available from 340mm~540mm. Remove thick pad 11 cover and adhere to bottom bracket 03. (Note: location on bottom of folding plates as fig. show)

4

09 x1set 10 x4



Peel the backing from the foam pads 09 & 10 then position onto the places illustrated. Holder width extends from 134mm~234mm. Fix the knob 08 tightly after adjusting the width.