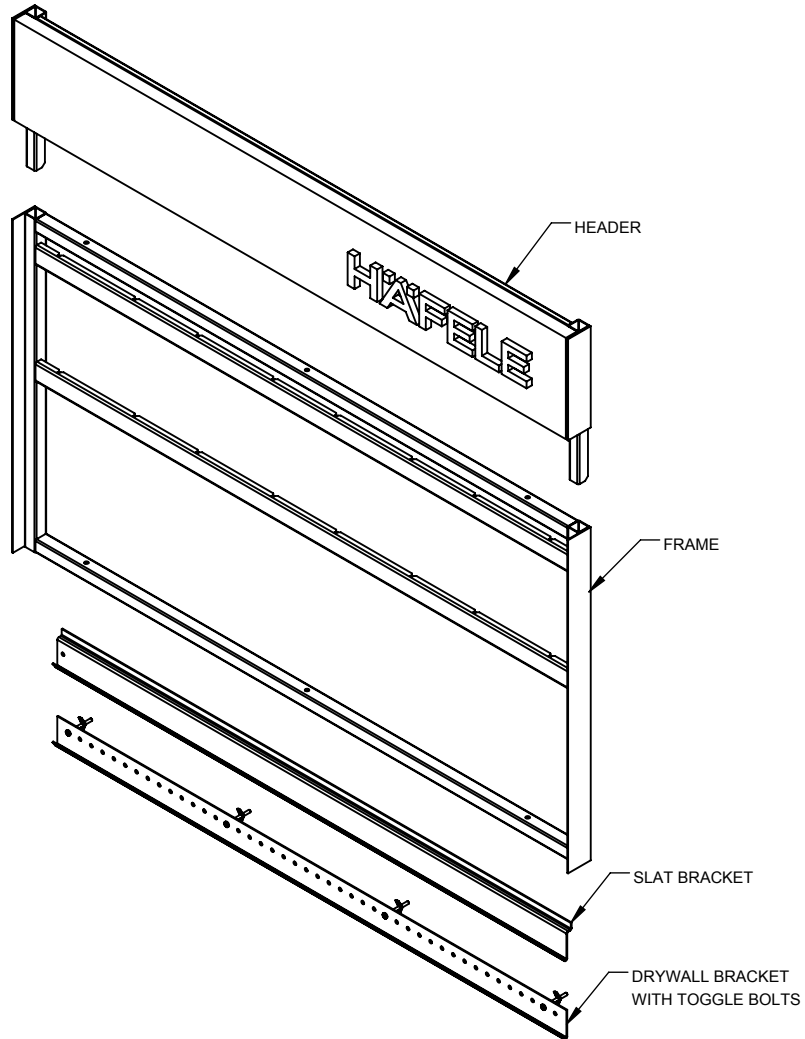


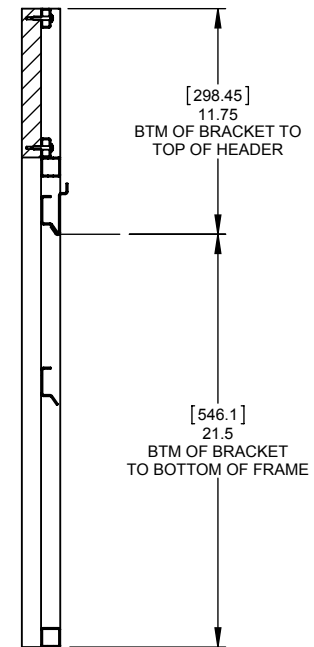
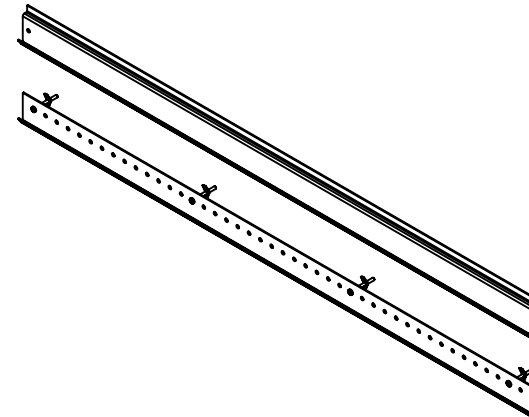
WALL FRAME ASSEMBLY INSTRUCTIONS



STEP 1:

DECIDE WHICH BRACKET SUITS YOUR APPLICATION AND MOUNT IT TO THE WALL.

FOR DRYWALL, USE THE BRACKET TO MARK THE TOGGLE BOLT LOCATIONS, SPACING THEM OUT AS EVENLY AS POSSIBLE.

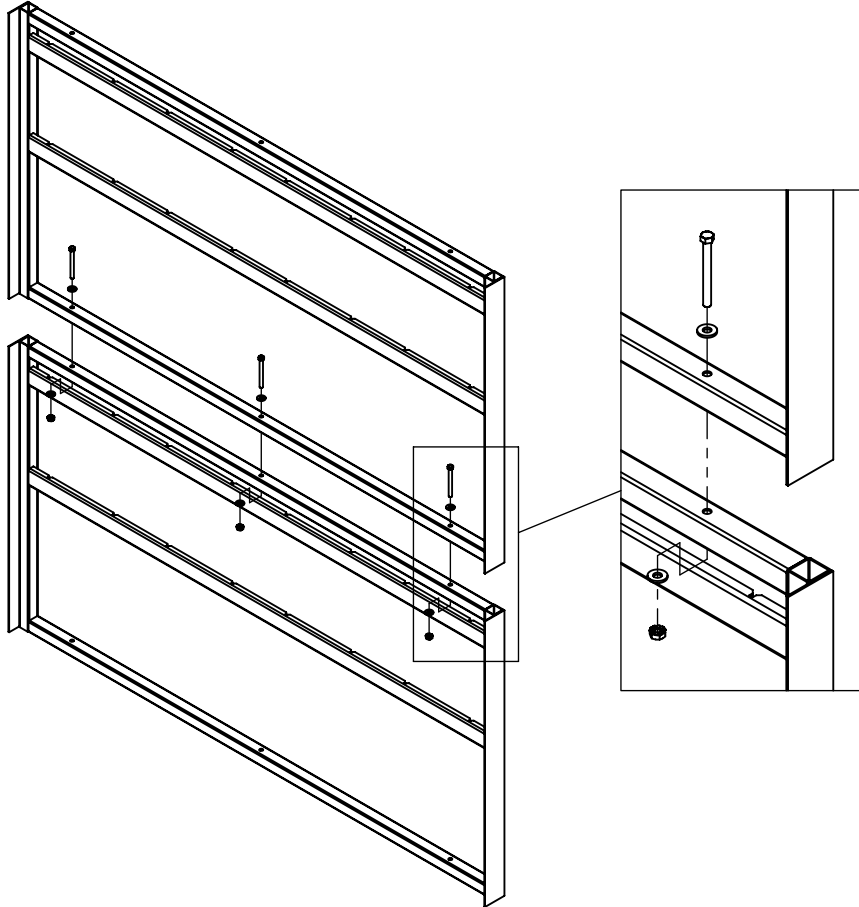


111 s. Washington Blvd.
Mundelein, IL 60060
(847) 393-7659
www.smsdisplaygroup.com

WALL FRAME ASSEMBLY INSTRUCTIONS

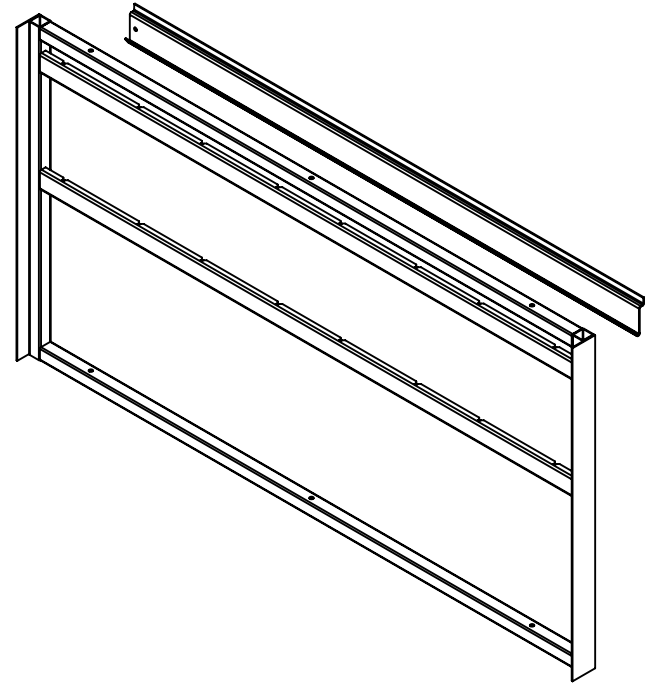
STEP 2: FOR ADD-ON FRAMES ONLY

IF YOU ORDERED AN ADD-ON FRAME, CONNECT IT TO THE MAIN FRAME AS SHOWN BELOW, USING THE HARDWARE INCLUDED IN THE ADD-ON KIT.



STEP 3:

HANG THE FRAME(S) ONTO THE BRACKET AS SHOWN.

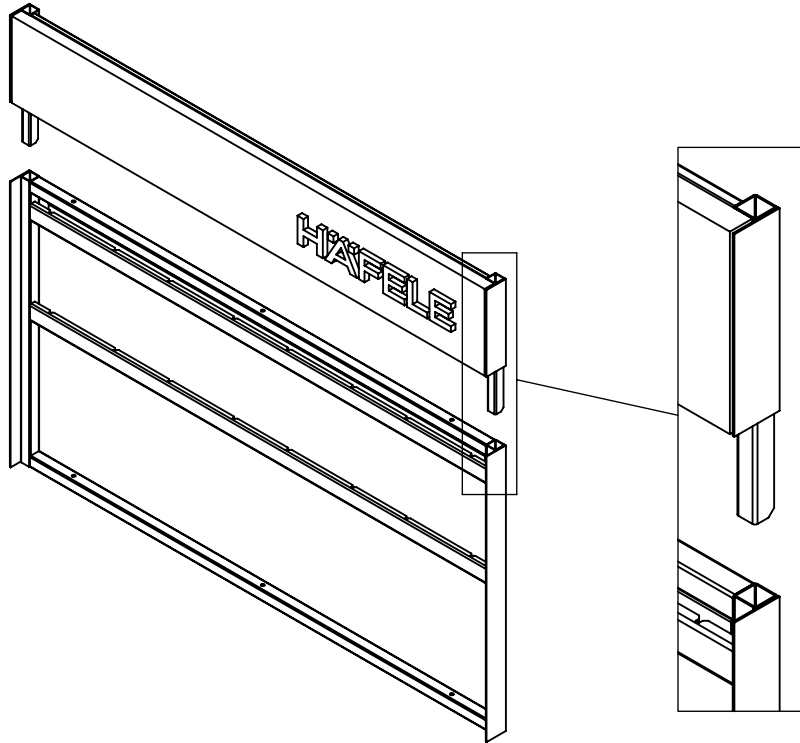


111 s. Washington Blvd.
Mundelein, IL 60060
(847) 393-7659
www.smsdisplaygroup.com

WALL FRAME ASSEMBLY INSTRUCTIONS

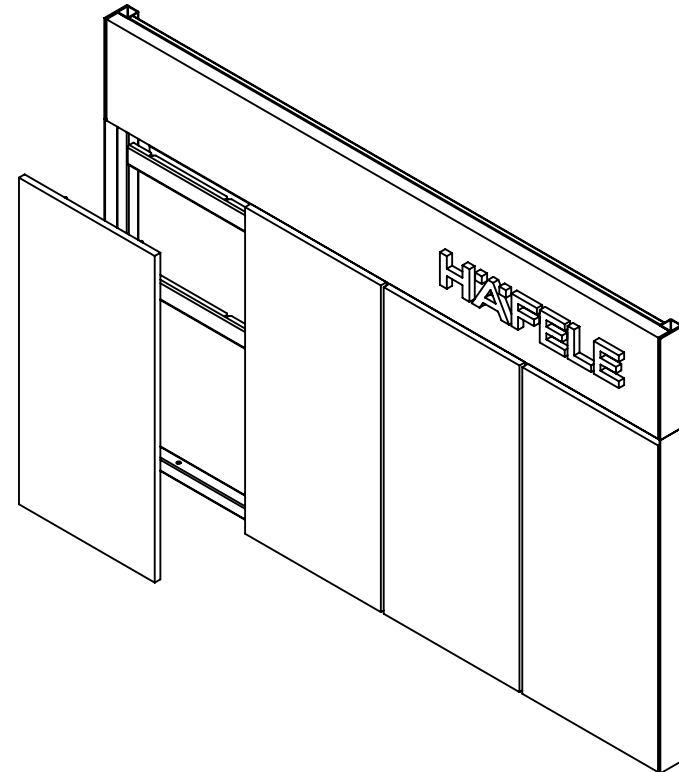
STEP 4:

INSERT THE HEADER ASSEMBLY INTO THE TOP OF THE FRAME AS SHOWN.



STEP 5:

INSTALL THE PRODUCT PANELS AS SHOWN.



111 s. Washington Blvd.
Mundelein, IL 60060
(847) 393-7659
www.smsdisplaygroup.com