

KINVARO

T-57 lift-up fitting



- Opening angle adjustable to 75° or 90°
- Easy to fit
- Adjustable spring force
- Adjustable flap height ± 1.0 mm
- No hinges fitted to the top panel
- Allows additional cabinet installation above
- Can be used for wooden flaps or aluminum frames with glass inserts
- Weight 2.2 to 13.7 lbs. (1.0 to 6.2 kg)
- Range of flaps:
Width: - 47 1/4" (up to 1200 mm)
Height: 11 13/16" - 23 5/8" (300 - 600 mm)
- High-quality finish, nickel-plated

APPLICATION RANGE

| Cabinet height | Flap weight incl. handle lbs. (kg) | |
|-----------------|------------------------------------|------------|
| | min. | max. |
| 11 13/16" (300) | 2.2 (1.0) | 13.7 (6.2) |
| 13 25/32" (350) | 2.6 (1.2) | 10.8 (4.9) |
| 15 3/4" (400) | 3.1 (1.4) | 8.4 (3.8) |
| 17 23/32" (450) | 3.3 (1.5) | 7.9 (3.6) |
| 19 11/16" (500) | 3.7 (1.7) | 6.4 (2.9) |
| 21 21/32" (550) | 4.2 (1.9) | 6.0 (2.7) |
| 23 5/8" (600) | 4.6 (2.1) | 5.5 (2.5) |

ORDER INFORMATION

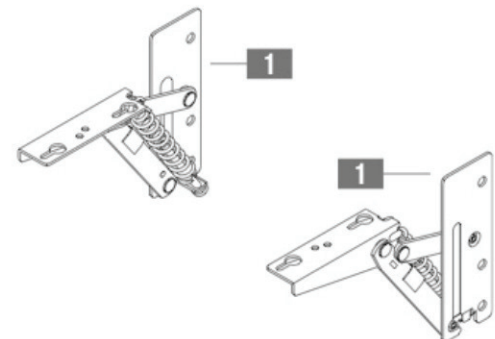
| Kinvaro T-57 set | | | | |
|--|-------------|----------|---------------|----|
| Description | Version for | Overlay | Item No. | PU |
| Kinvaro T-57, nickel-plated adjustable springs on right and left | wood | variable | F151145224517 | 1 |

For automatic Kinvaro door calculations: Use the GRASS Kinvaro Calculator at www.grassusa.com/kinvaro_calculator.html



Kinvaro T-57 set comprises:

- 1 Fitting, right and left (1x)
Paper template (1x)
Installation instructions (1x)



WARNING

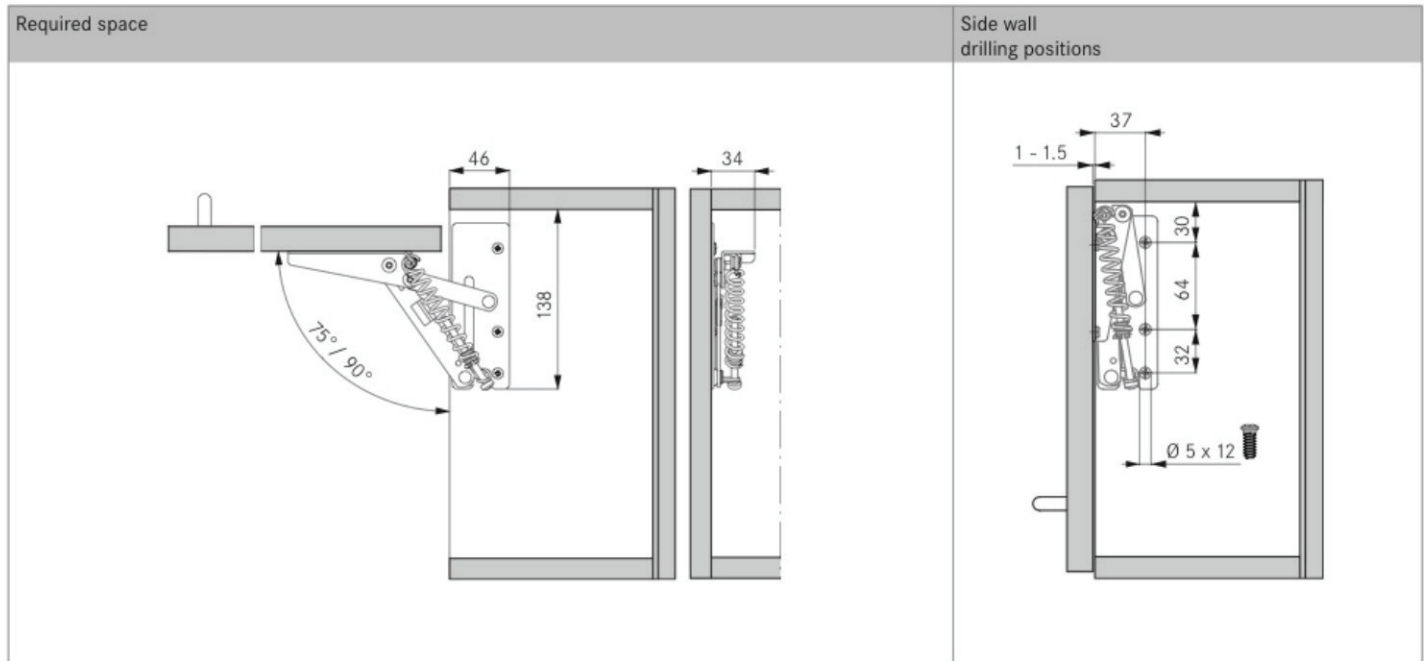


Important!
Caution - risk of injury! Fitting is spring-tensioned!

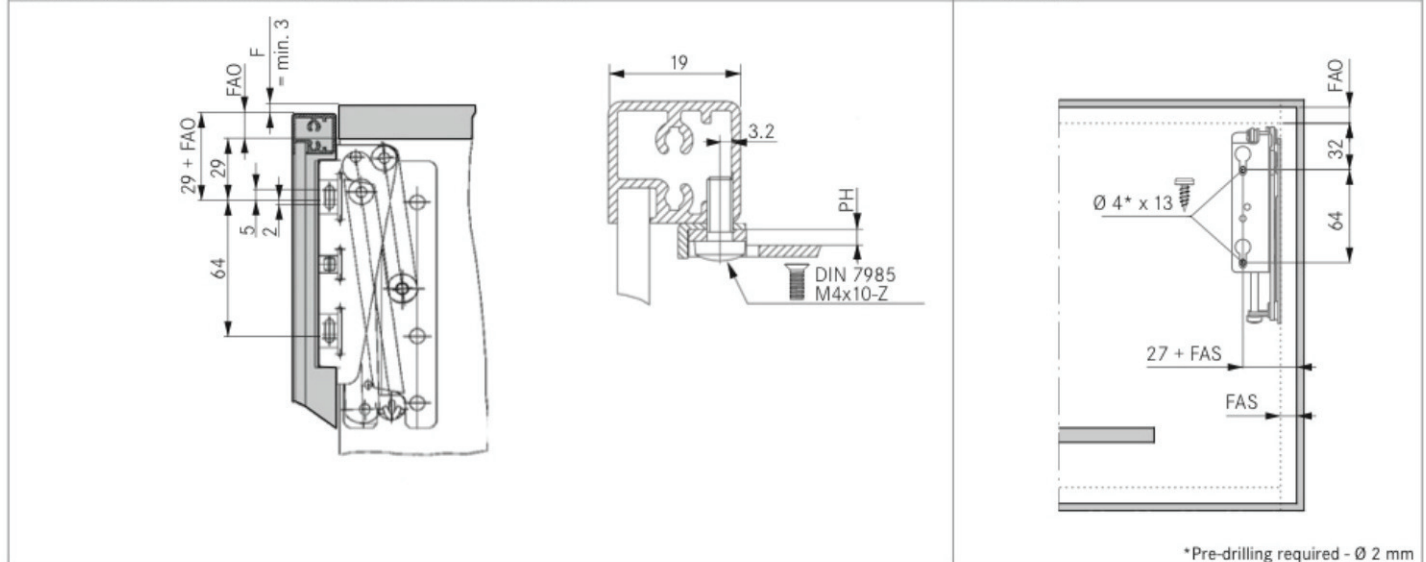
PU = Packing Unit

ASSEMBLY AND INSTALLATION INSTRUCTIONS

All dimensions in millimeters



| | |
|--|--|
| <p>Front: installation for flaps with narrow aluminum frame profiles (19 mm)</p> | <p>Front: installation for wooden and frame flaps (min. 55 mm width)</p> |
|--|--|



Calculation of flap weight

Flap width x flap height x flap thickness x density¹ + weight of handle² = weight of flap

¹ Densities: MDF 0.85 kg/dm³, chipboard 0.65 kg/dm³, spruce/pine 0.45 kg/dm³

² For bar handles allow 0.1 kg for each 100 mm handle width. We recommend a trial fitting

Metric Conversions

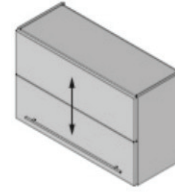
| | | | | | | | | | | | | | | | | | |
|------|-------|---------|--------|---------|-------|---------|--------|-------|---------|--------|--------|---------|---------|---------|---------|--------|--------|
| MM | .5 | 1 | 1.5 | 2 | 3 | 3.2 | 3.5 | 5 | 7.5 | 8 | 8.5 | 13 | 19 | 25 | 27 | 29 | 30 |
| INCH | 1/32 | 1/16 | 1/16 | 3/32 | 1/8 | 1/8 | 1/8 | 3/16 | 9/32 | 5/16 | 11/32 | 1/2 | 3/4 | 31/32 | 1 1/16 | 1 5/32 | 1 3/16 |
| MM | 32 | 34 | 37 | 46 | 47.5 | 50 | 55 | 64 | 100 | 135 | 138 | 144 | 164 | 169 | 170 | 180 | 181 |
| INCH | 1 1/4 | 1 11/32 | 1 7/16 | 1 13/16 | 1 7/8 | 1 31/32 | 2 5/32 | 2 1/2 | 3 15/16 | 5 5/16 | 5 7/16 | 5 11/16 | 6 15/32 | 6 21/32 | 6 11/16 | 7 3/32 | 7 1/8 |

LEGEND

- F Reveal
- FAO Front overlay, top
- FAS Front overlay, side
- PH Stamping height

KINVARO

Adjustment options T-57



(HV) Height adjustment
+/-1 mm

All adjustments can be carried out independently of each other.

ADJUSTMENT OPTIONS

| Height adjustment (HV) | Locking | |
|------------------------|---------|--|
| | | |

| Adjusting to 75° opening angle | Adjusting to 90° opening angle | Adjusting the spring force |
|--------------------------------|--------------------------------|----------------------------|
| | | |

| | | Note |
|--|--|-----------------------|
| | | <p>WARNING</p> |