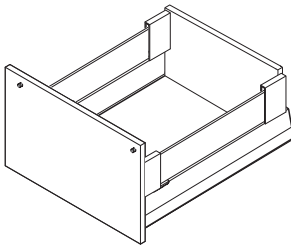






Matrix Box P

551.60.599
551.60.999
551.60.199
553.60.699



732.25.022

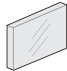
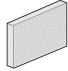
2x **A** 2x **B**

G 2x **H** 2x 2x **C**

2x **D** 2x **E**

8x **I** 3.5 x 13

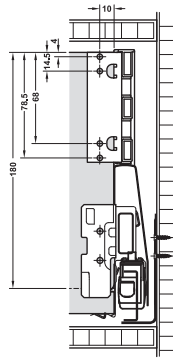
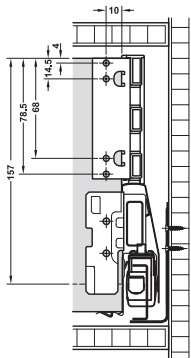
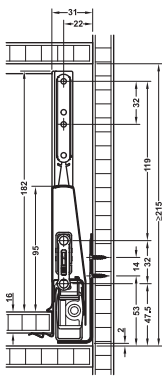
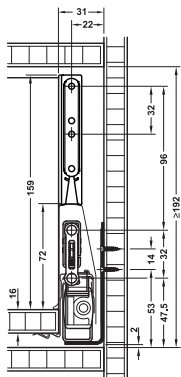
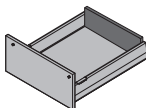
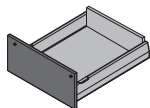
+

Y		
270	553.60.440	553.60.140
300	553.60.441	553.60.141
350	553.60.442	553.60.142
400	553.60.443	553.60.143
450	553.60.444	553.60.144
500	553.60.445	553.60.145
550	553.60.446	553.60.146
600	553.60.447	553.60.147
650	553.60.448	553.60.148
700	553.60.449	553.60.149

$X = Y - 45$

i

„mm“



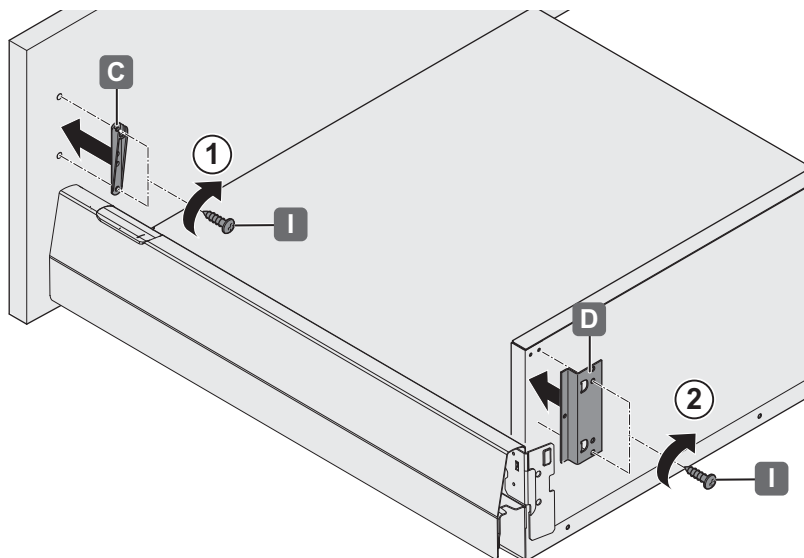
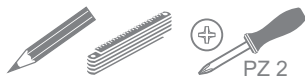
92 mm

115 mm

92 mm

115 mm

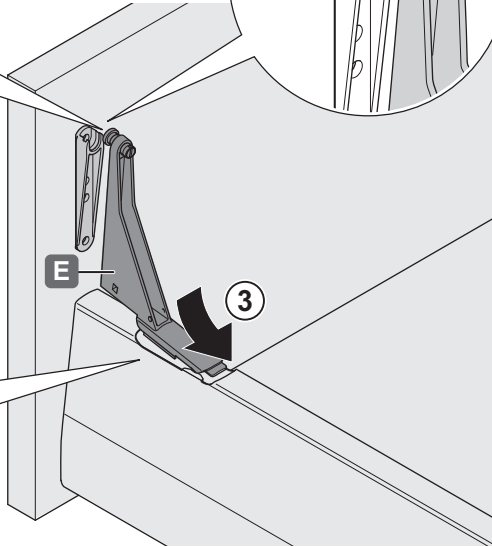
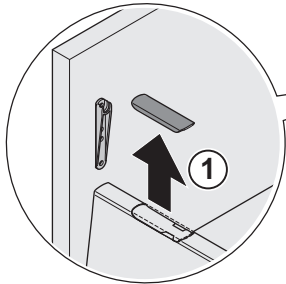
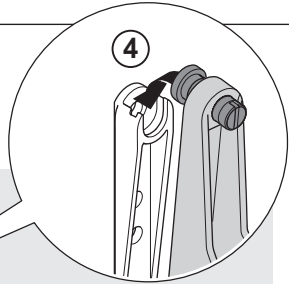
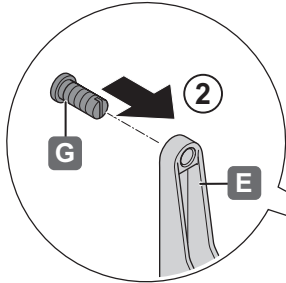
1



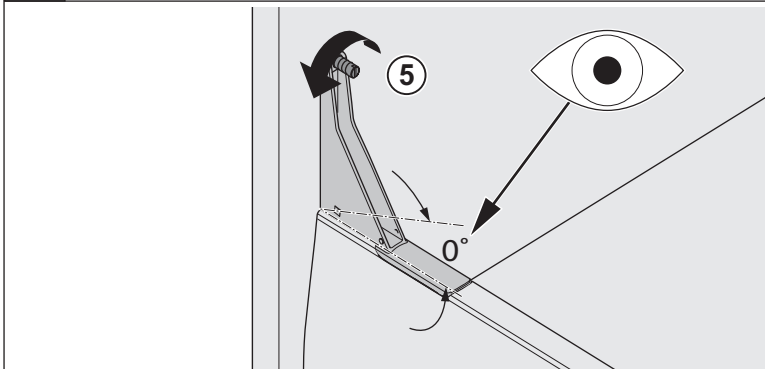
732.25.022

HDE 05.07.2021

2



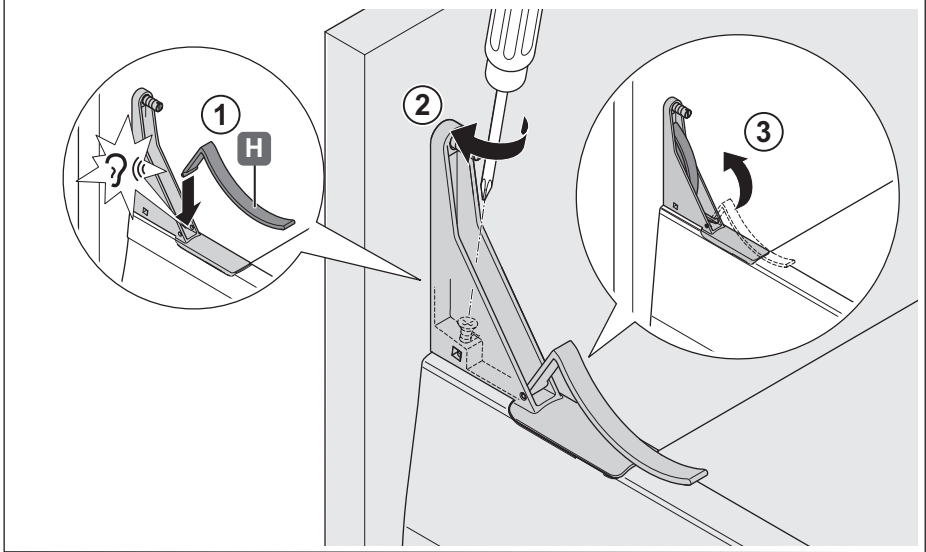
i



732.25.022

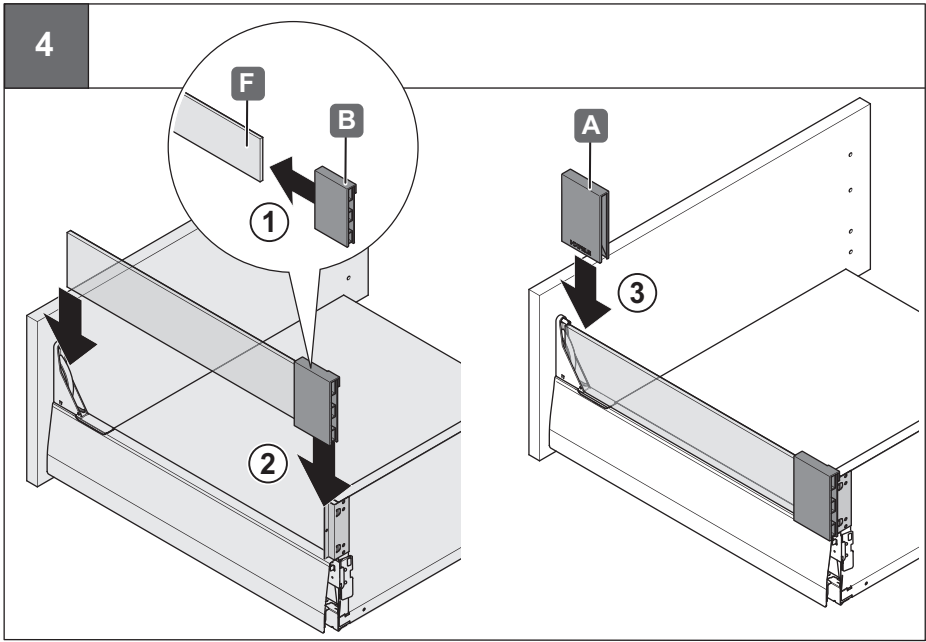
HDE 05.07.2021

3



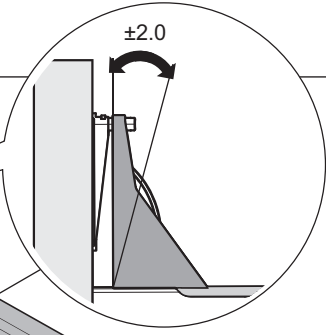
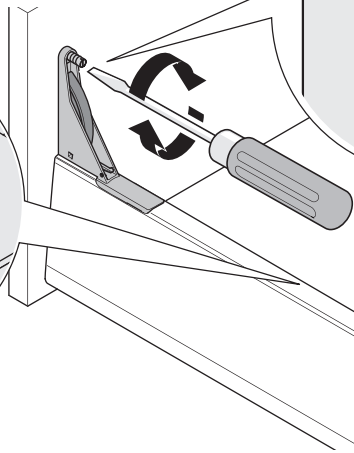
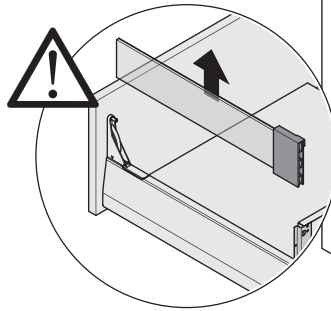
732.25.022

4



HDE 05.07.2021

5



732.25.022

HDE 05.07.2021

732.25.022

HDE 05.07.2021

732.25.022

HDE 05.07.2021

732.25.022

HDE 05.07.2021