



## FAN 200

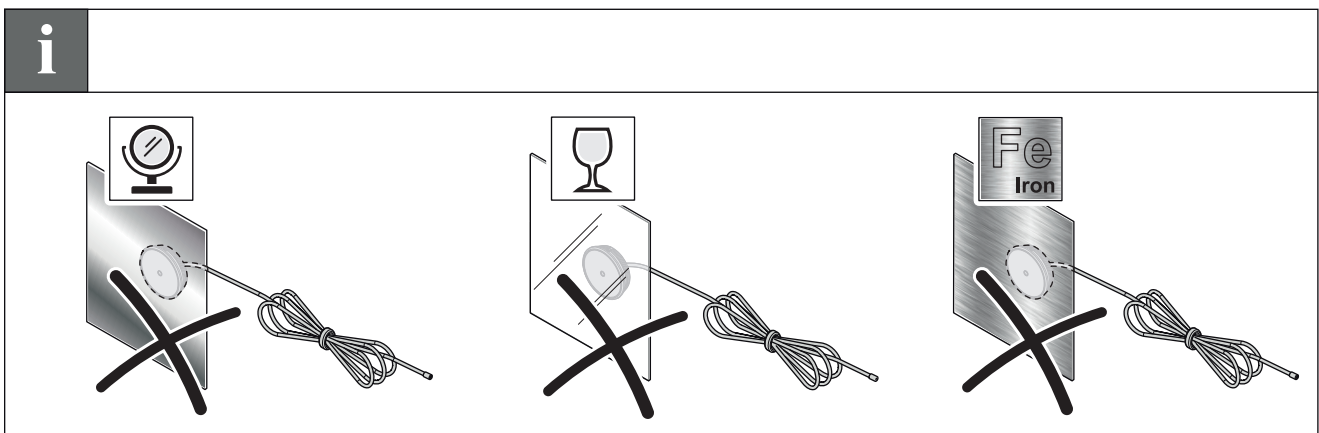
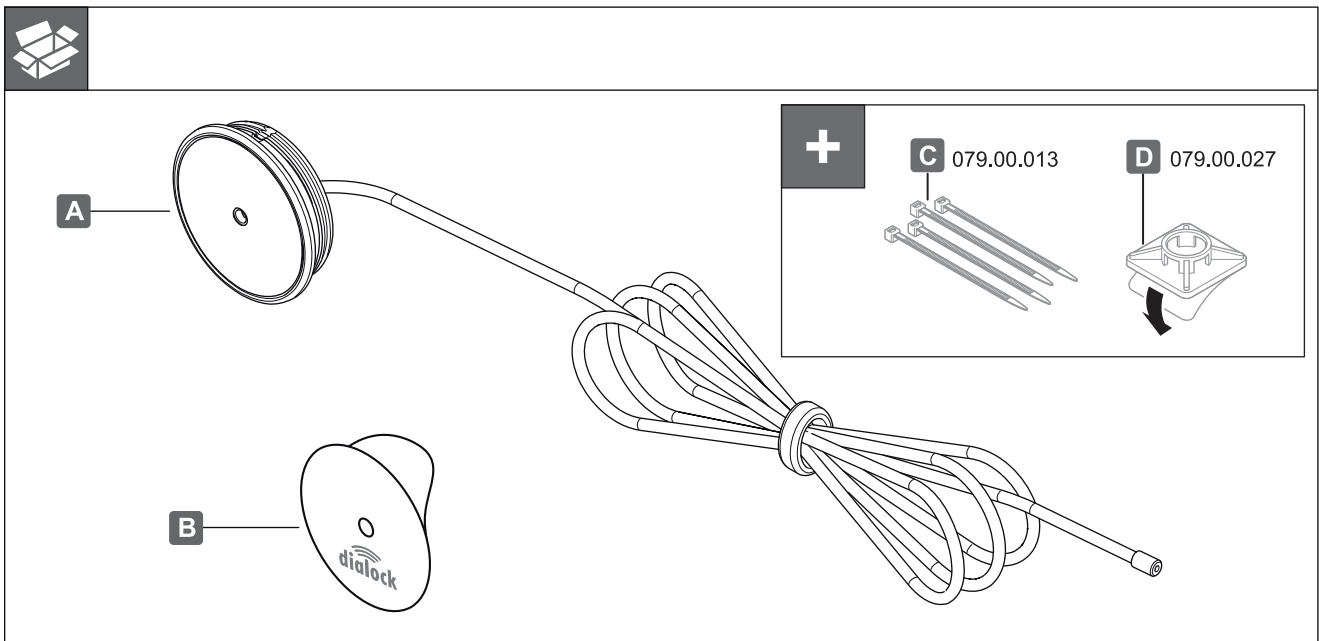
237.59.060  
237.59.061  
237.59.062



[www.hafele.com](http://www.hafele.com)

237.59.060	L = 1m	≤ 25mm
237.59.061	L = 3m	
237.59.062	L = 5m	

ZN 6.209.020.90a  
732.22.029



HDE 06/2019

**i** mm

$\text{Ø } 40$   
 $\text{Ø } 35,4$   
 $8$   
 $2$

$\text{Ø } 35$   
 $\text{Ø } 12$   
 $\geq 8$

$\geq 250$

$\text{Ø } 40$   
 $\leq 5$

**4.**

**1** mm

$\text{Ø } 12$   
 $\text{Ø } 35$   
 $\text{Ø } 40$

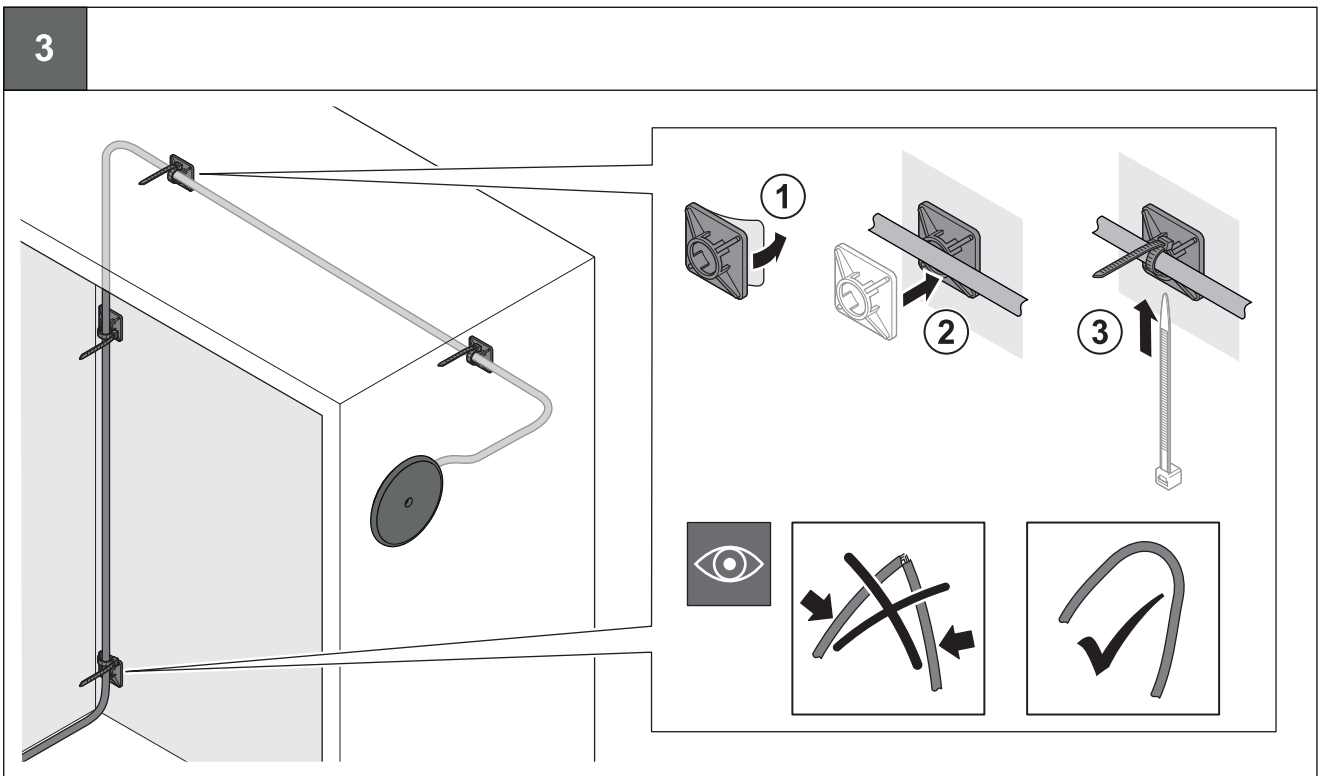
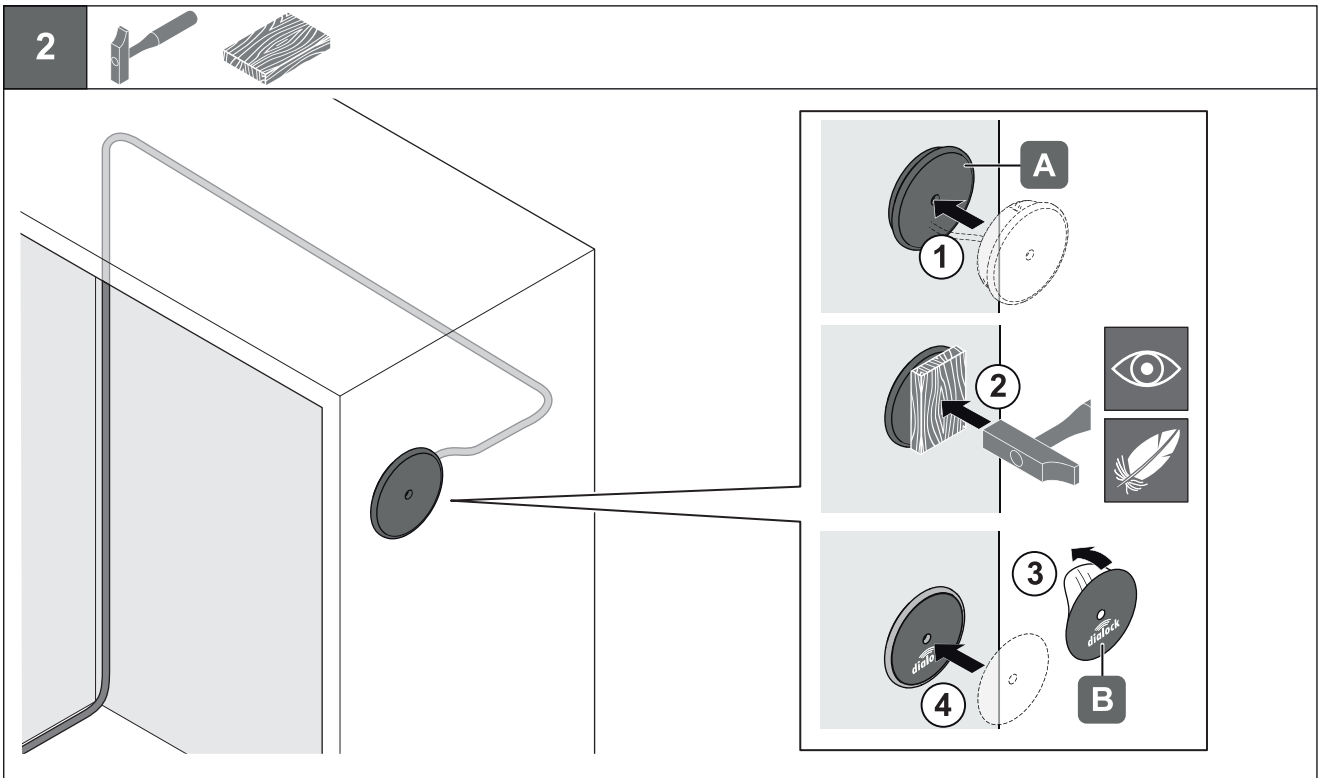
**1**  
 $\text{Ø } 12$

**2**  
 $\text{Ø } 35$

$\text{Ø } 40$

732.22.029

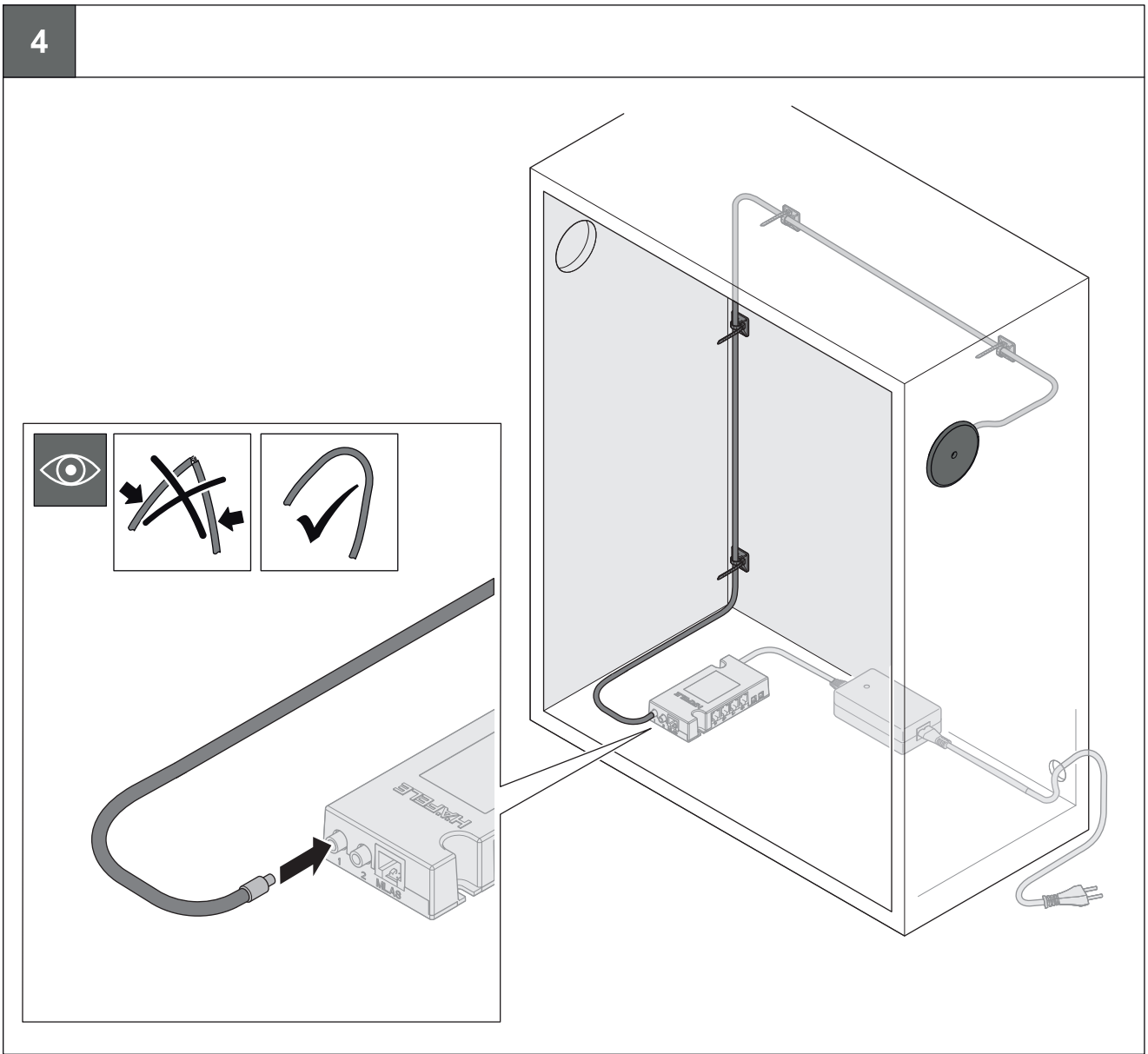
HDE 06/2019



732.22.029

HDE 06/2019

4



732.22.029