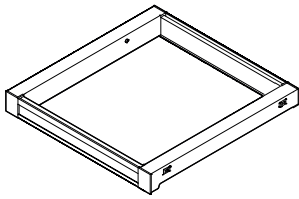
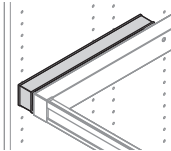




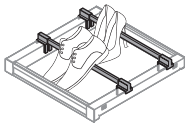
DressCode



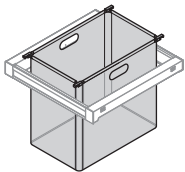
806.34.502	806.34.515	806.34.702	806.34.715
806.34.503	806.34.516	806.34.703	806.34.716
806.34.504	806.34.522	806.34.704	806.34.722
806.34.505	806.34.523	806.34.705	806.34.723
806.34.506	806.34.524	806.34.706	806.34.724
806.34.512	806.34.525	806.34.712	806.34.725
806.34.513	806.34.526	806.34.713	806.34.726
806.34.514		806.34.714	



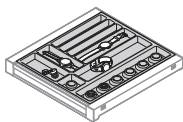
805.22.595
805.22.596
805.22.795
805.22.796



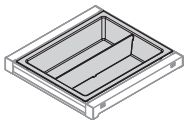
806.35.56x
805.35.76x



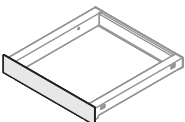
806.35.780
806.35.781



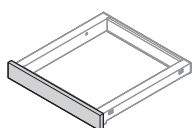
806.39.403
806.39.404
806.39.406



806.34.532 - 536 806.35.599
806.34.542 - 546 806.35.799
806.34.732 - 736
806.34.742 - 746



806.35.57x
806.35.77x

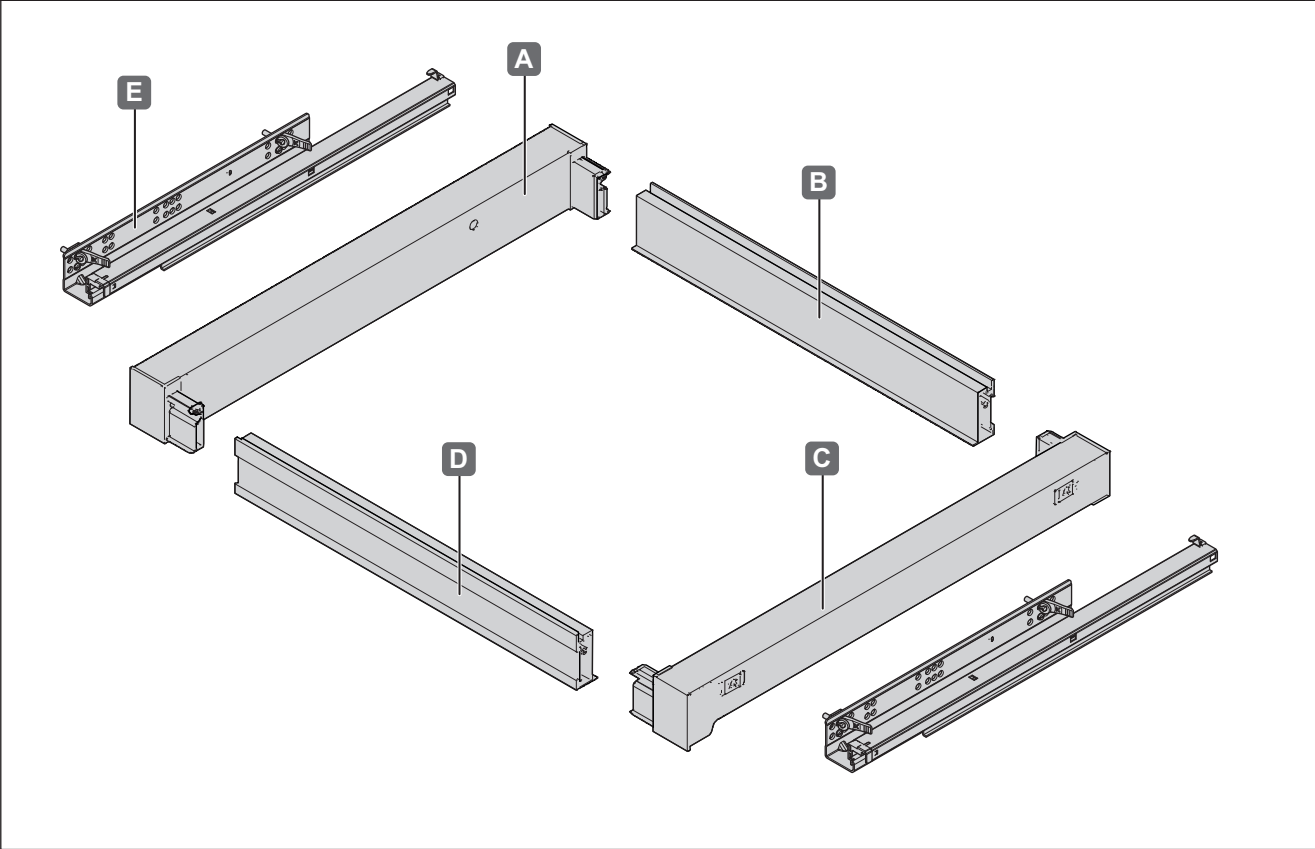
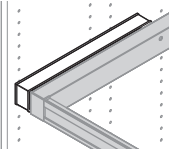


806.35.990

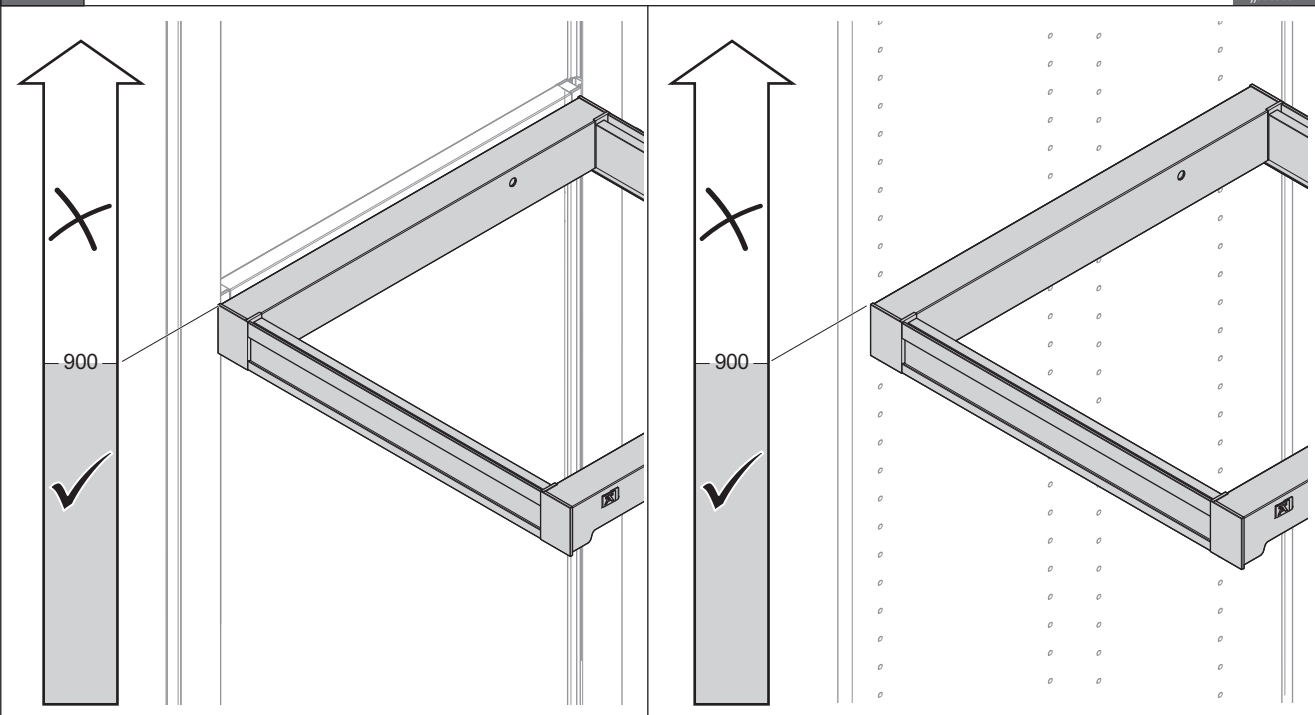
732.28.841

HDE 08.11.2021

805.22.595
 805.22.596
 805.22.795
 805.22.796

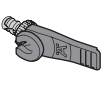

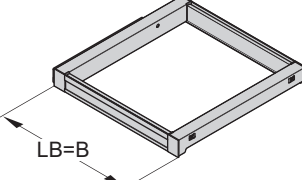
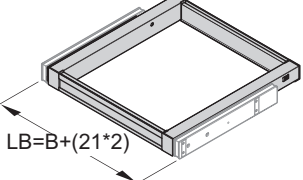
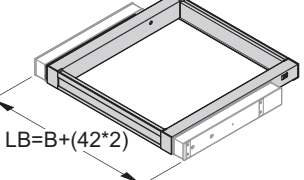
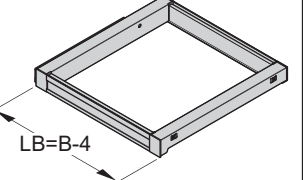


732.28.841

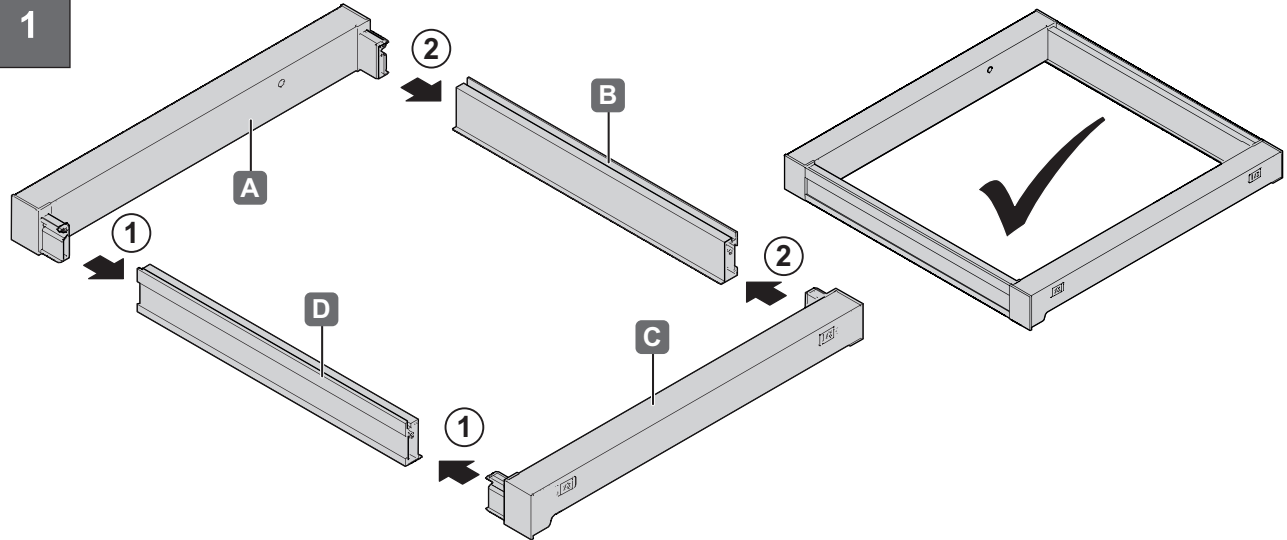



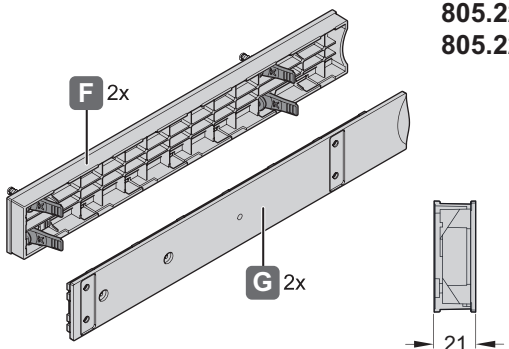
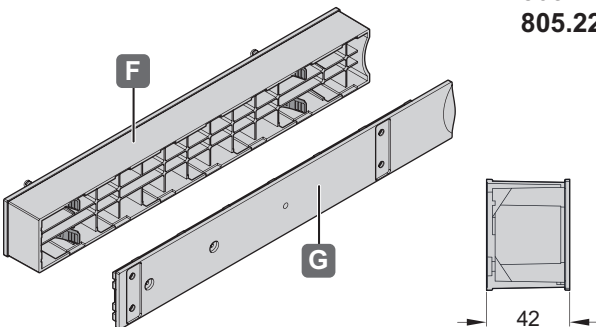
HDE 08.11.2021

„mm“

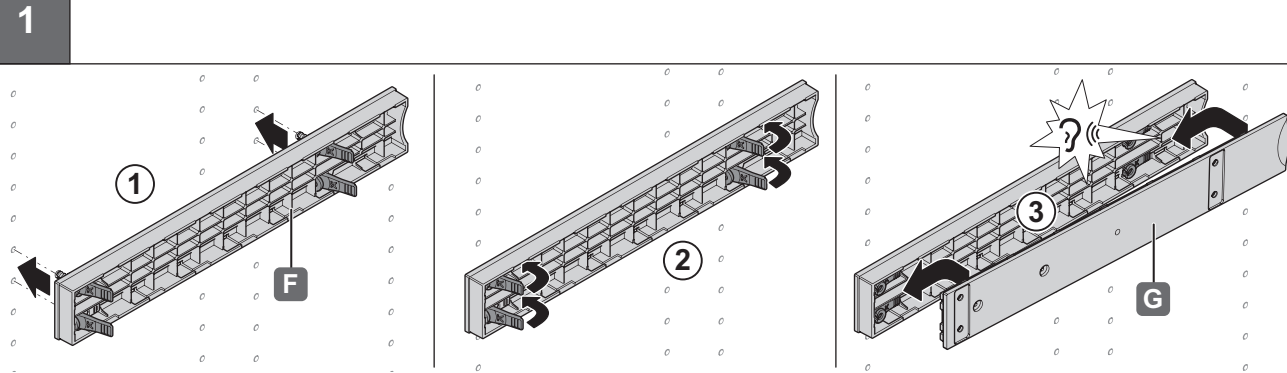
i	 805.22.595 805.22.795	 805.22.596 805.22.796	
 $LB=B$	 $LB=B+(21*2)$	 $LB=B+(42*2)$	 $LB=B-4$

1



+		805.22.595 805.22.795	805.22.596 805.22.796
 21	 42		

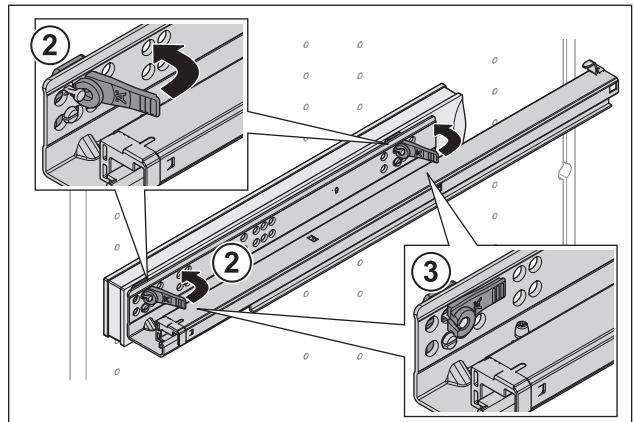
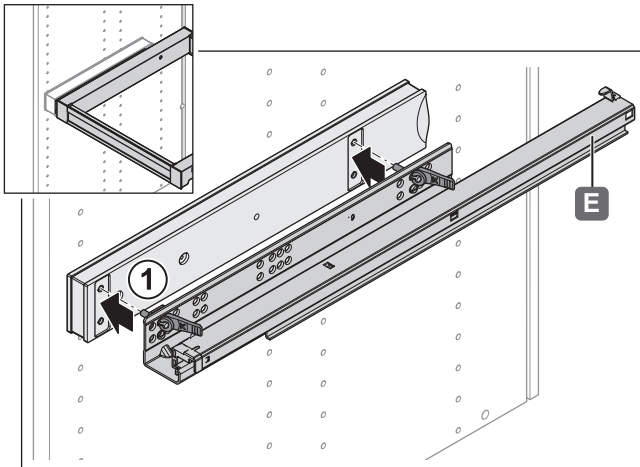
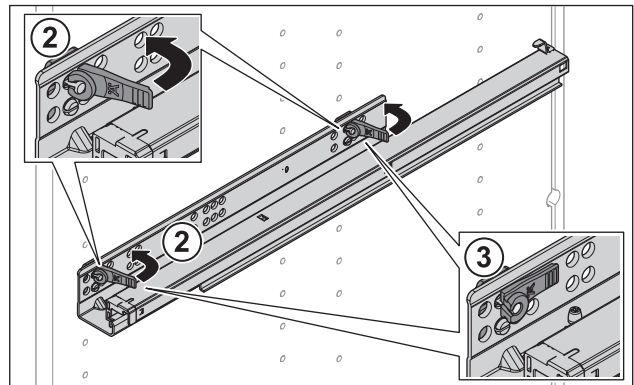
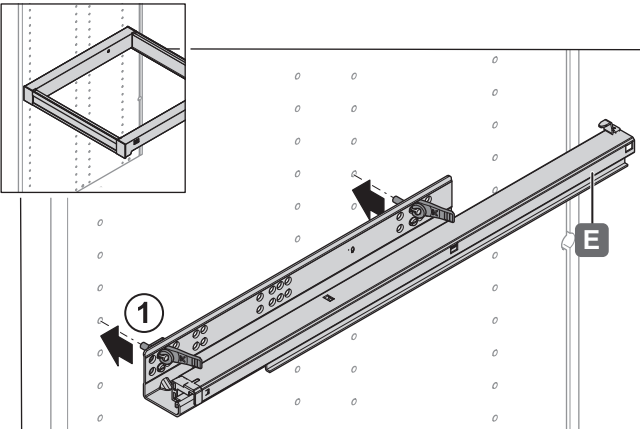
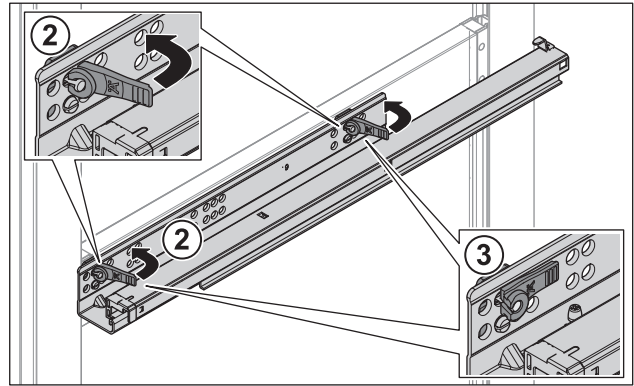
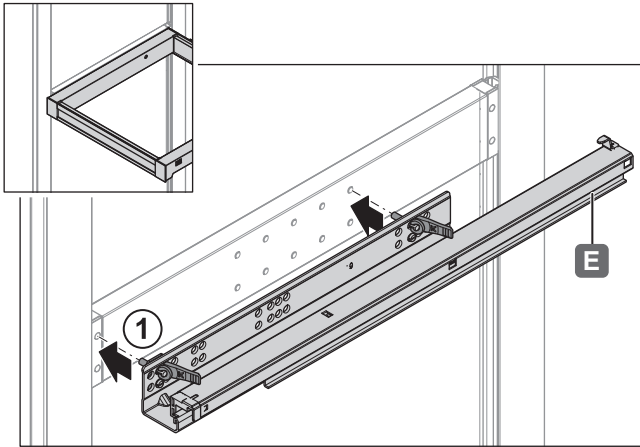
1



732.28.841

HDE 08.11.2021

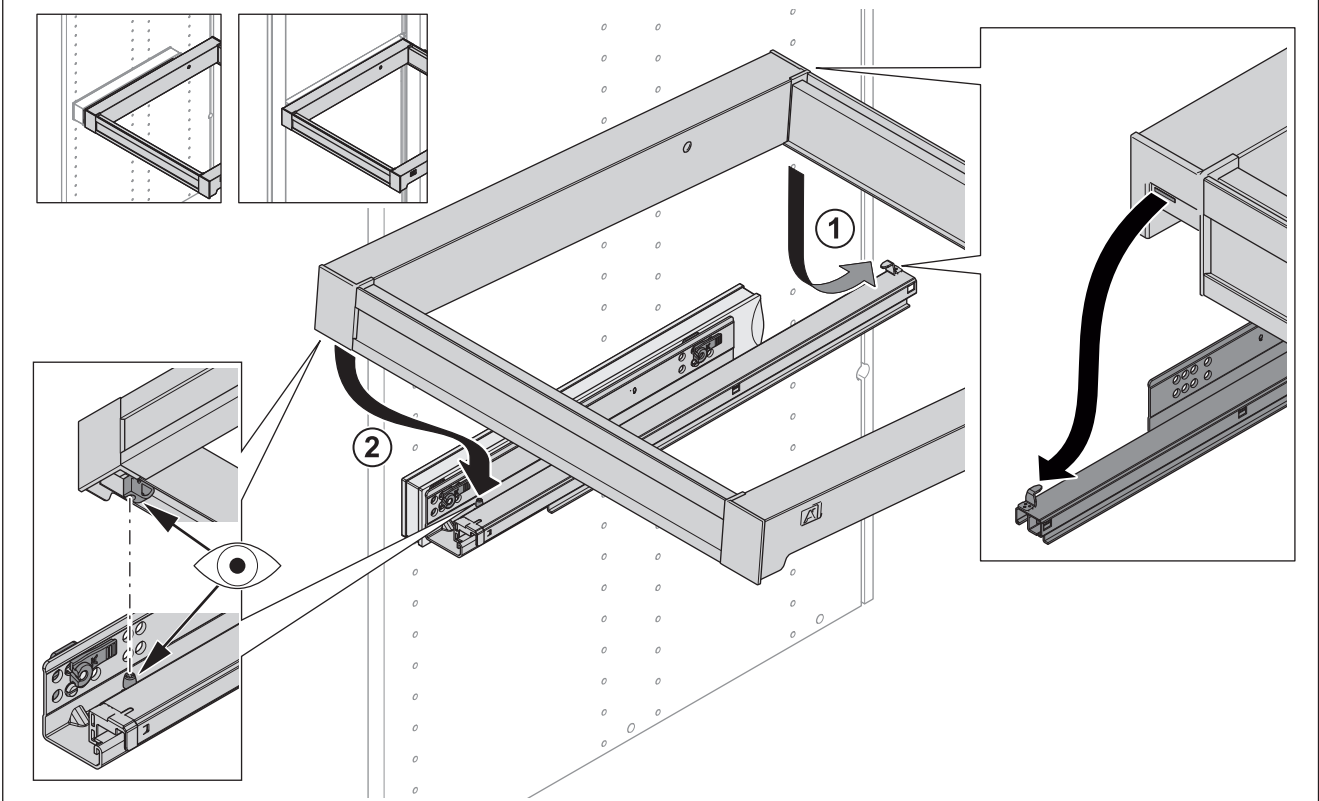
2



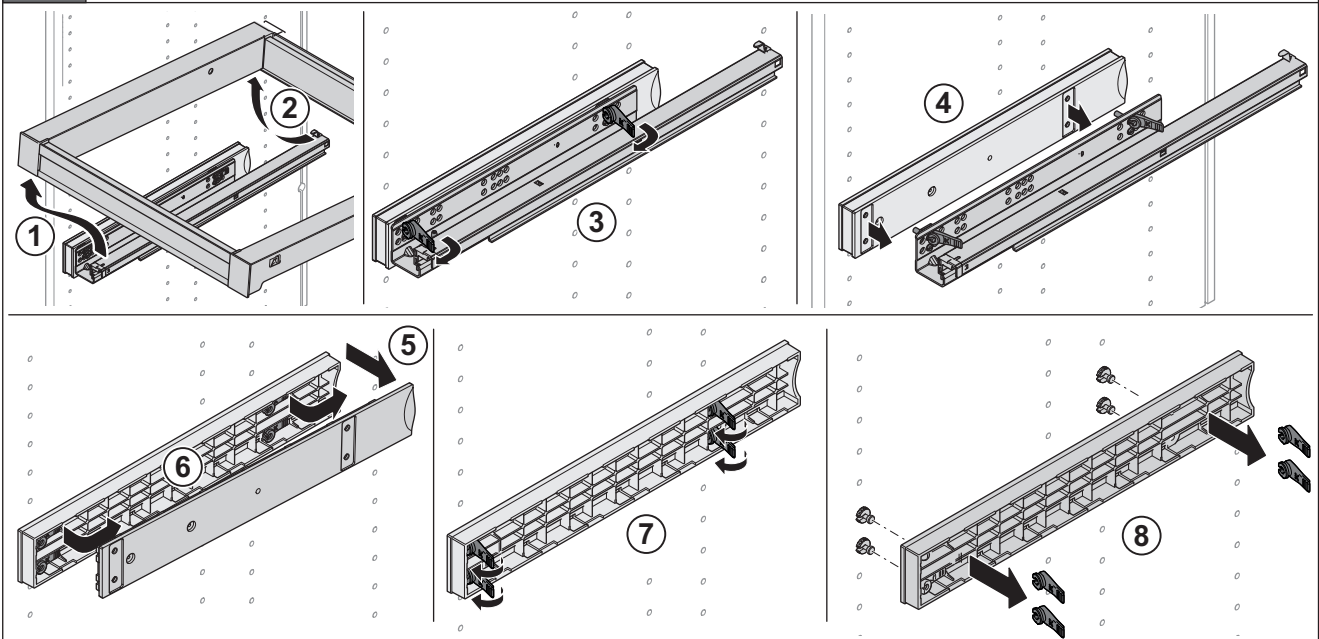
732.28.841

HDE 08.11.2021

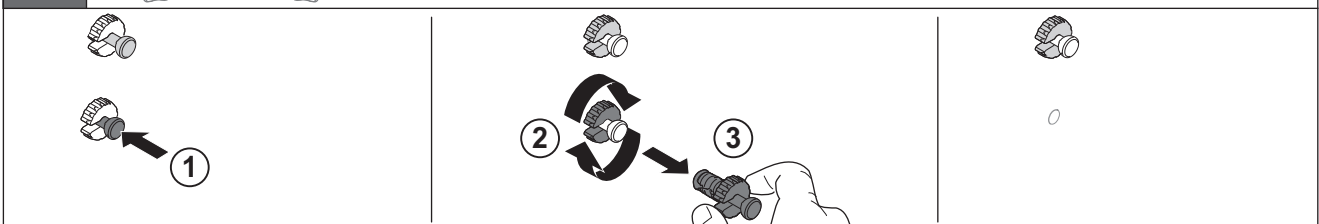
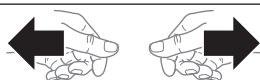
3



1



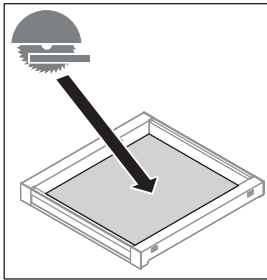
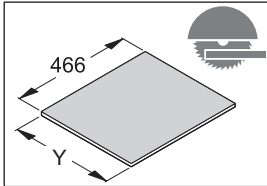
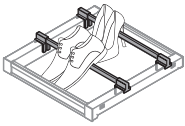
2



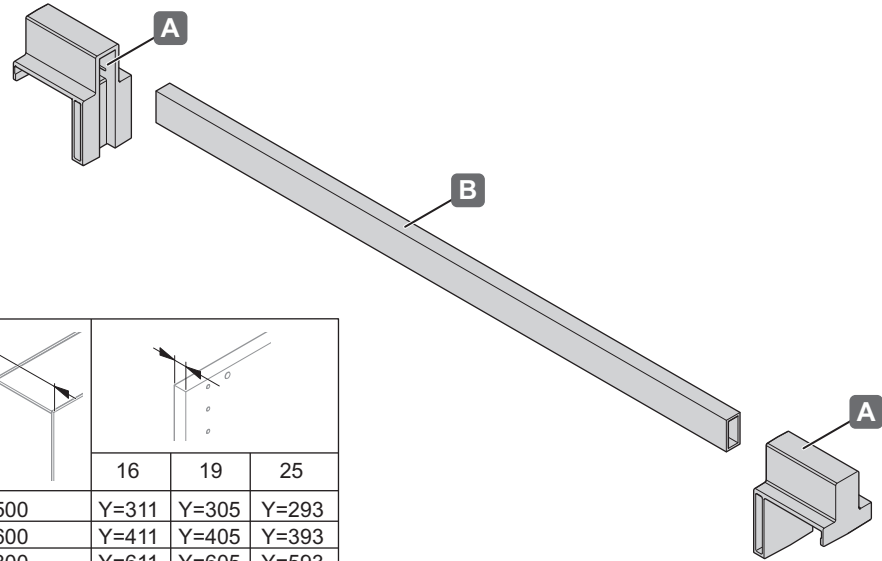
732.28.841

HDE 08.11.2021

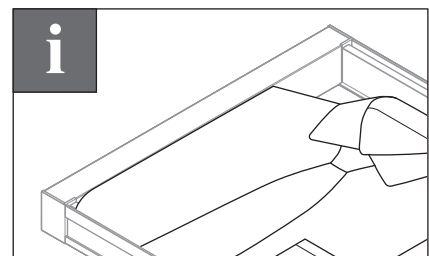
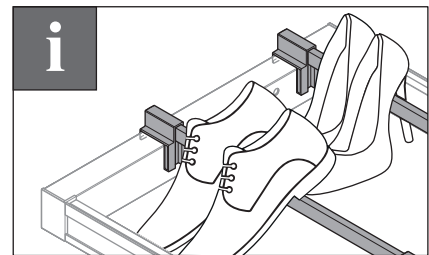
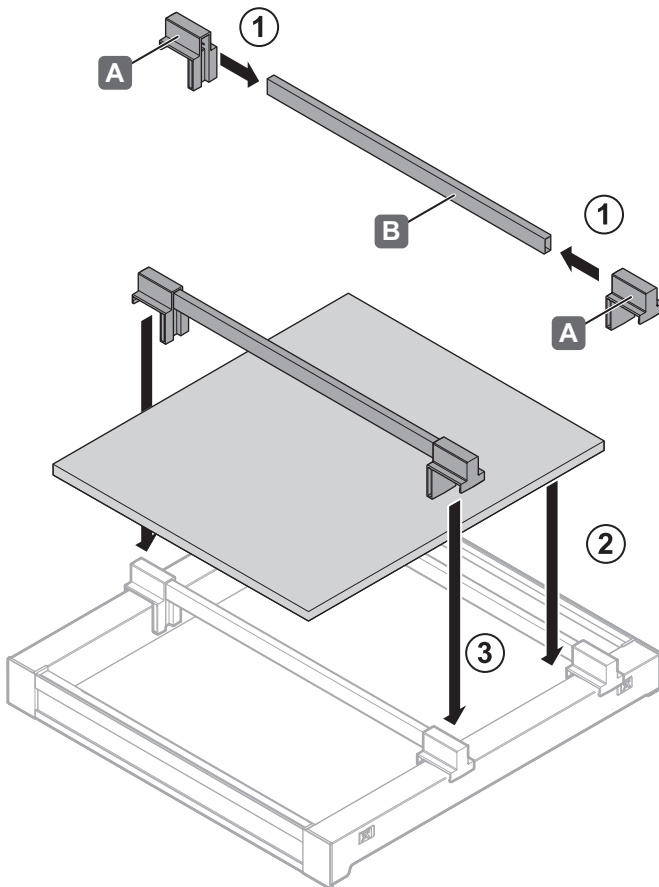
806.35.56x
806.35.76x



	16	19	25
500	Y=311	Y=305	Y=293
600	Y=411	Y=405	Y=393
800	Y=611	Y=605	Y=593
900	Y=711	Y=705	Y=693
1000	Y=811	Y=805	Y=793



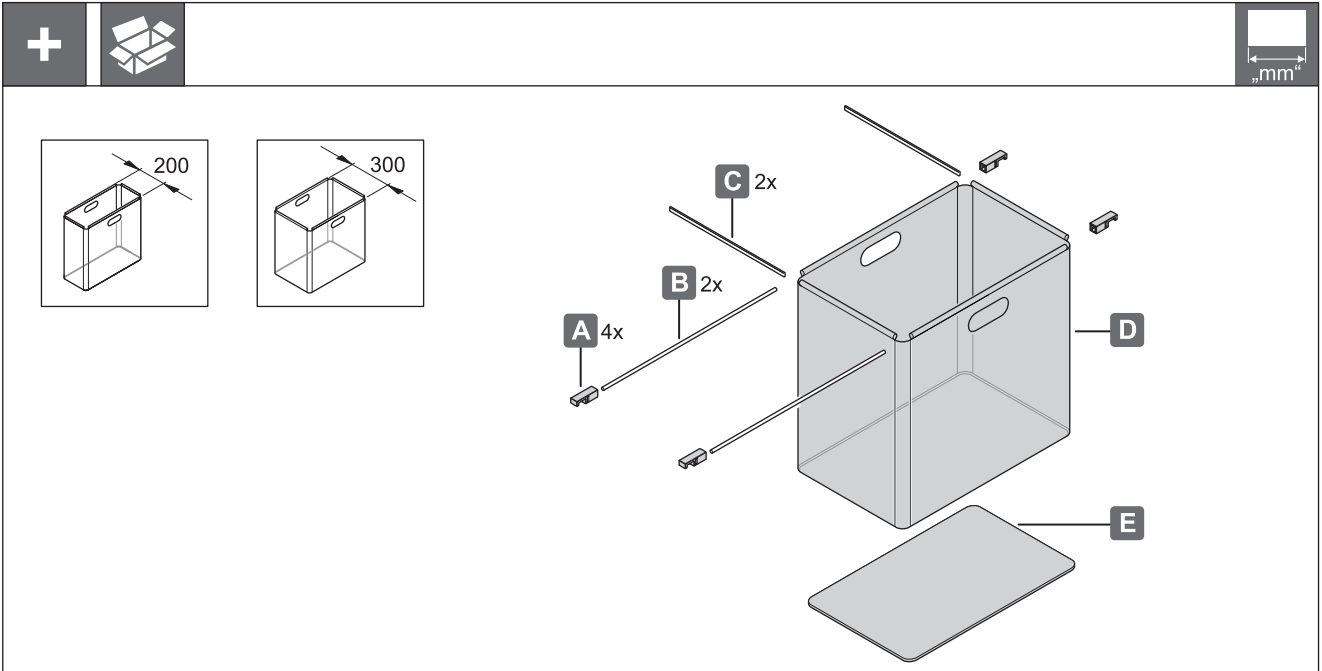
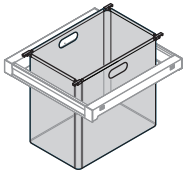
1



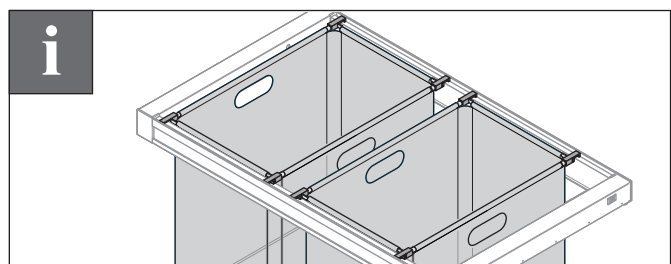
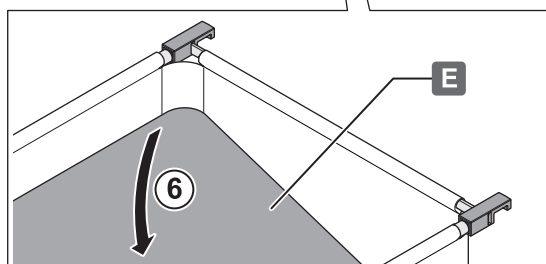
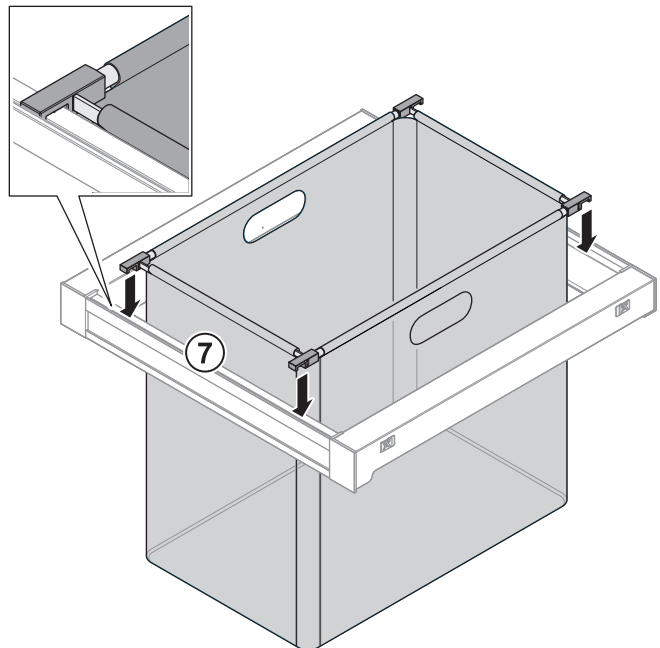
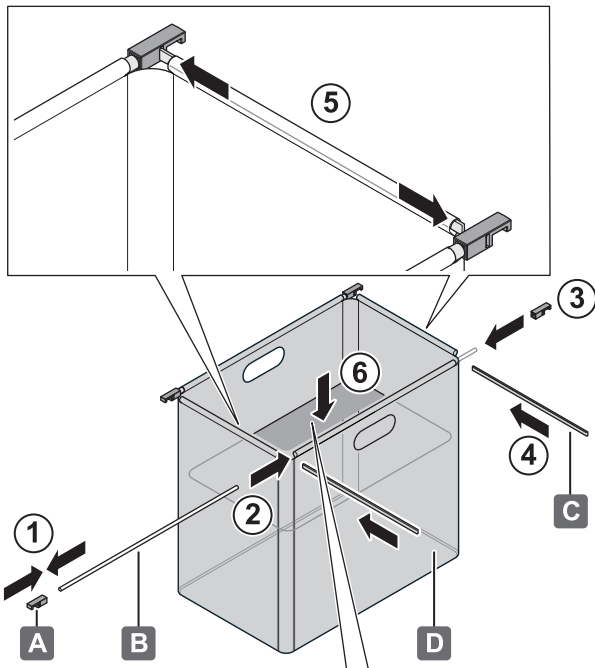
732.28.841

HDE 08.11.2021

806.35.780
806.35.781



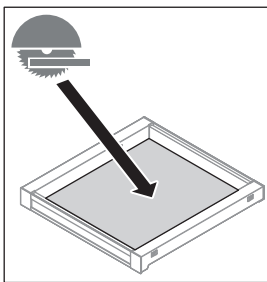
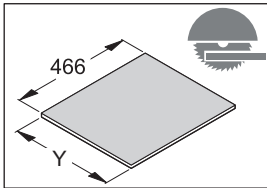
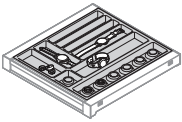
1



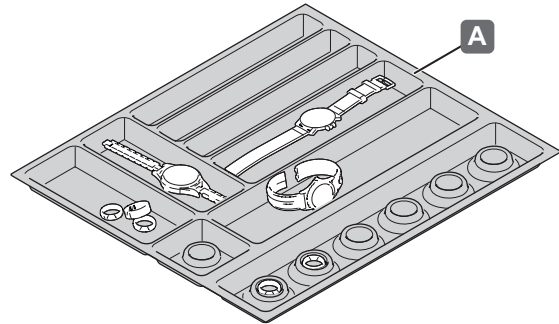
732.28.841

HDE 08.11.2021

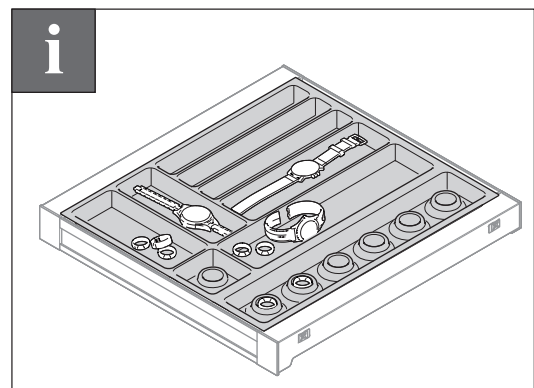
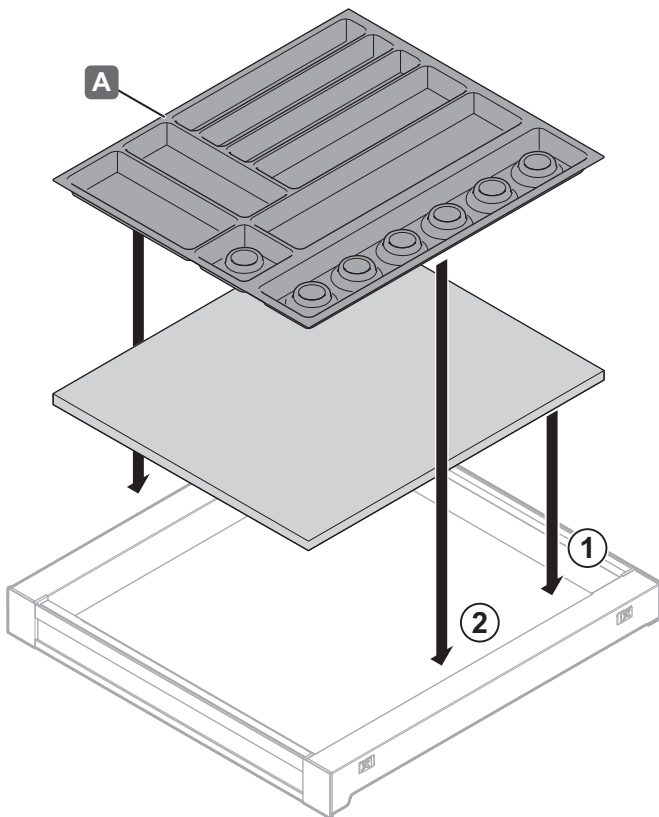
806.39.403
806.39.404
806.39.406



	16	19
600	Y=411	Y=405
800	Y=611	Y=605
1000	Y=811	Y=805

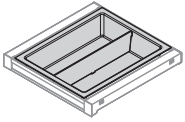


1

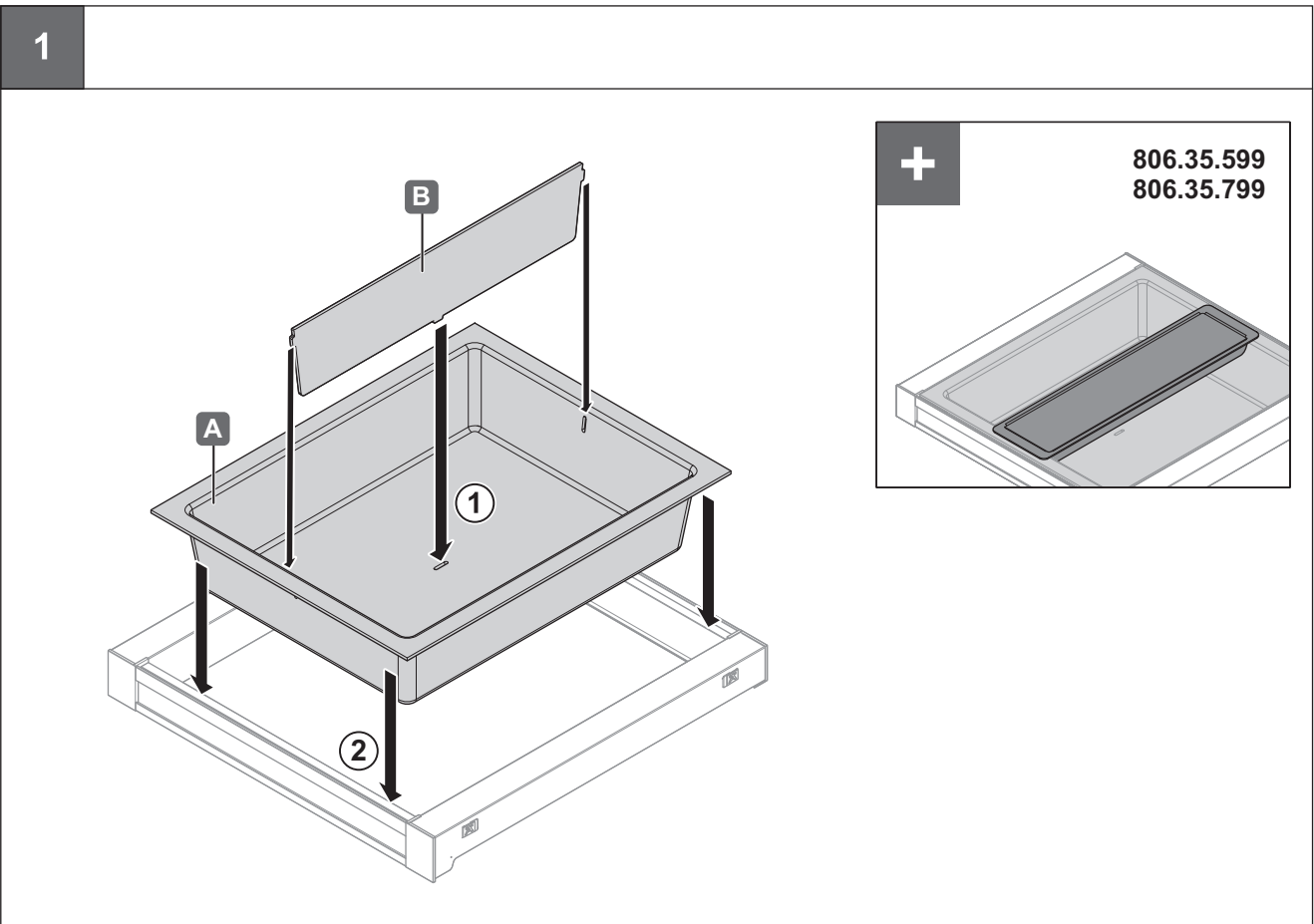
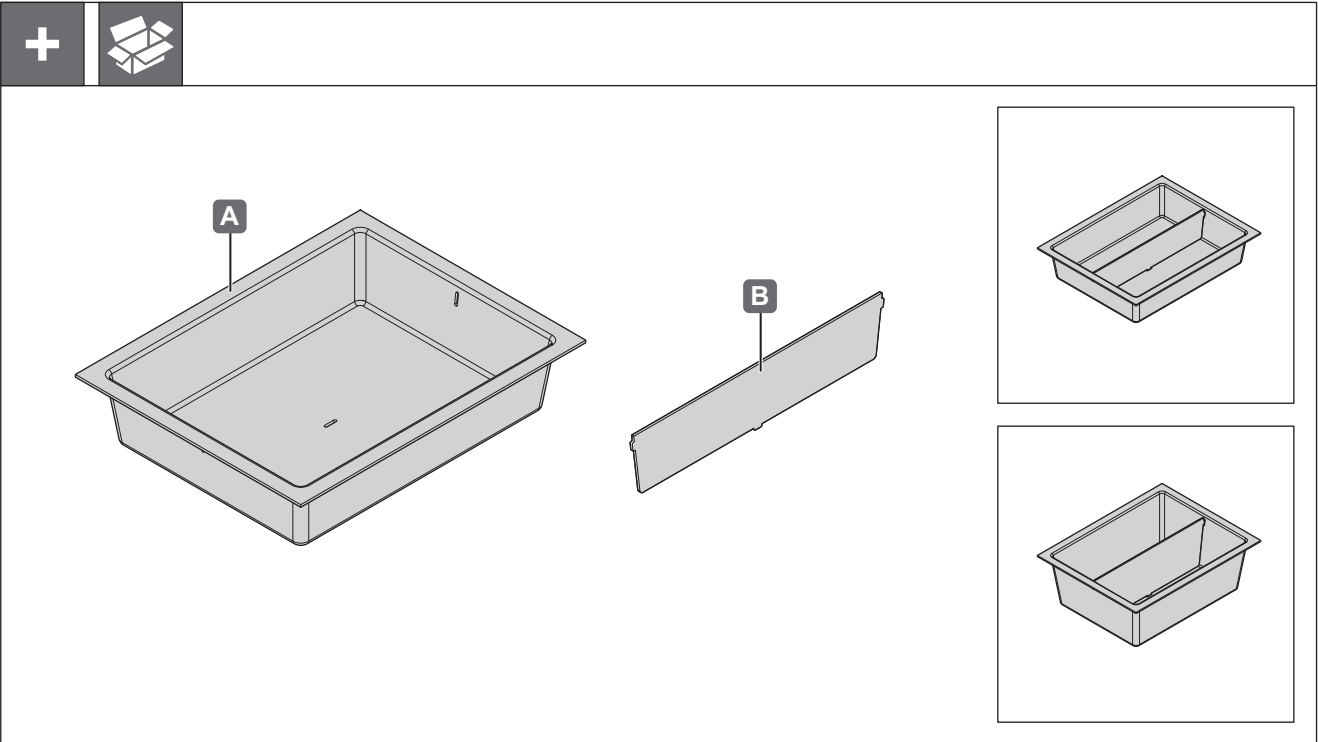


732.28.841

HDE 08.11.2021



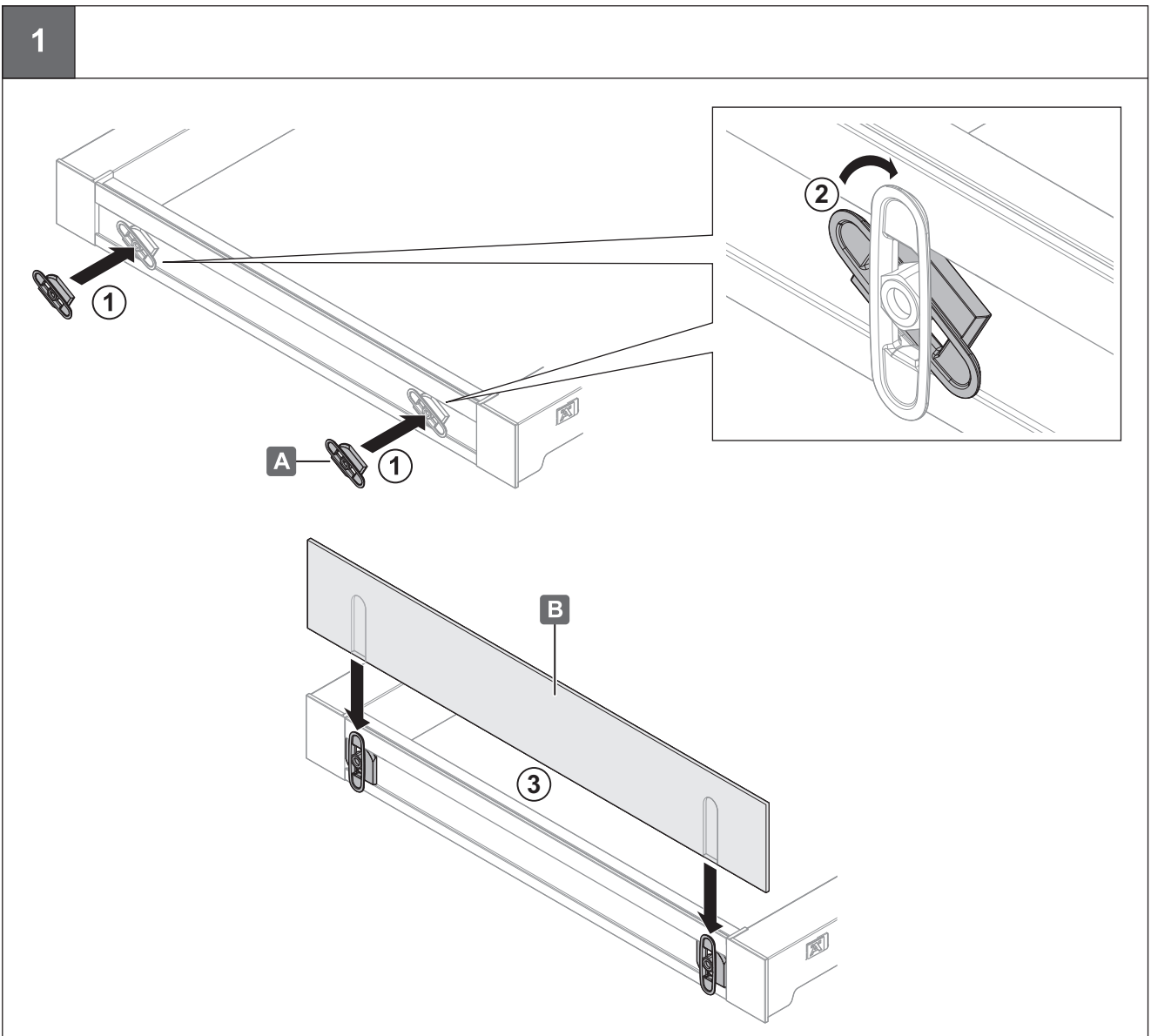
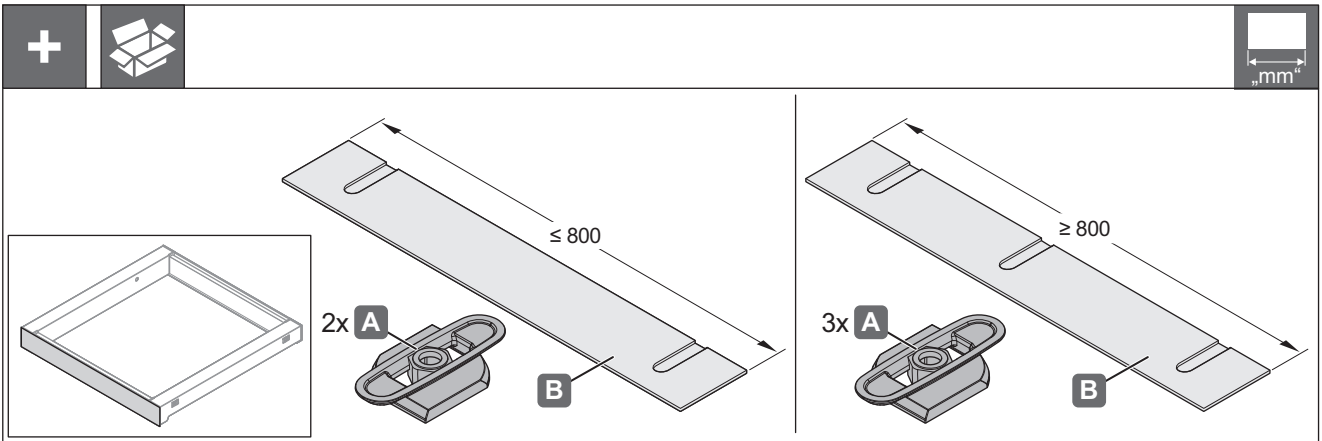
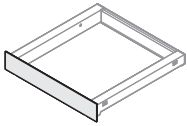
806.34.532 - 536
806.34.542 - 546
806.34.732 - 736
806.34.742 - 746



732.28.841

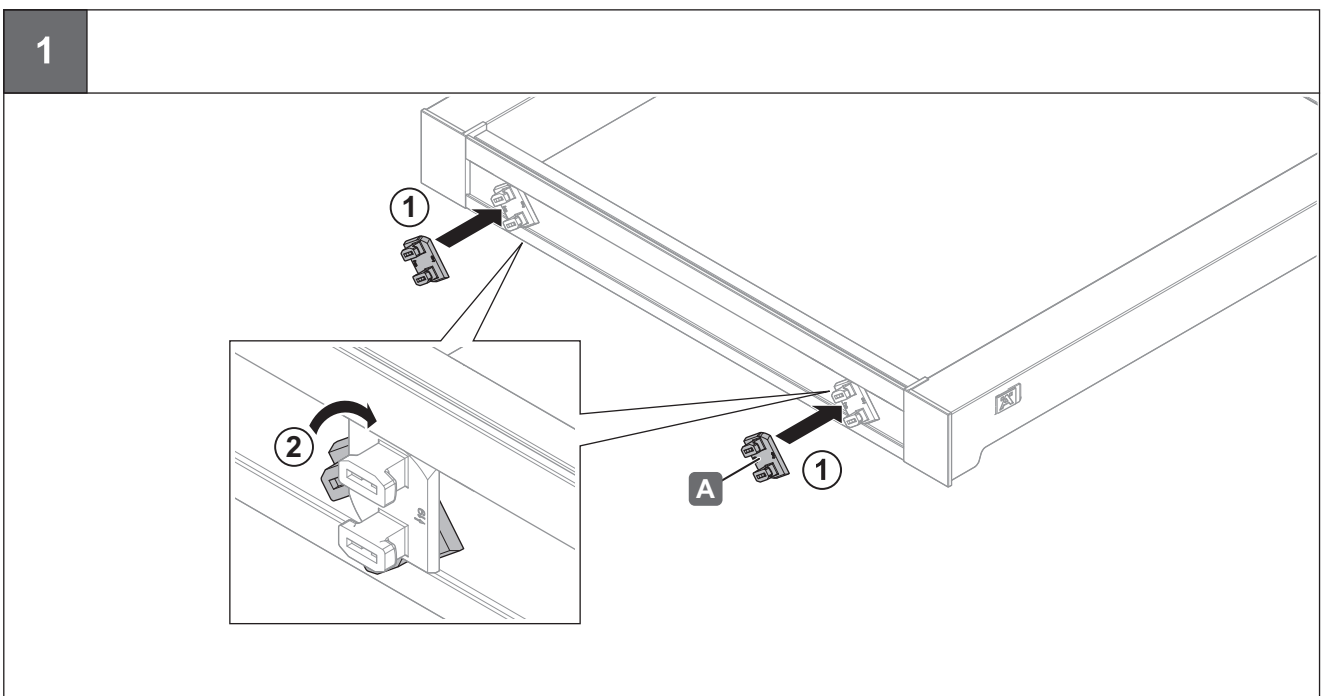
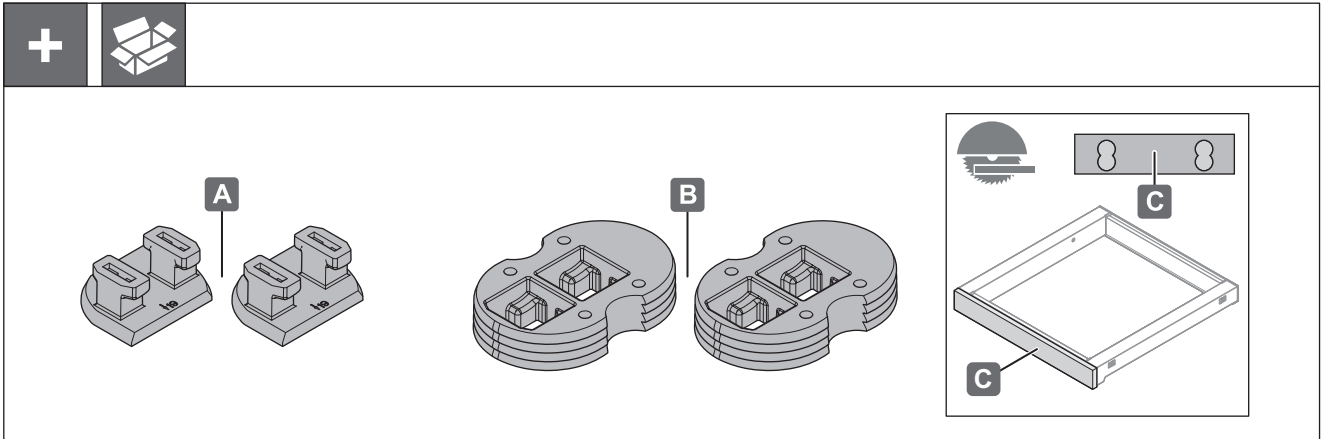
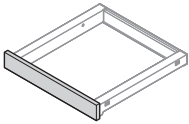
HDE 08.11.2021

806.35.57x
806.35.77x



732.28.841

HDE 08.11.2021



732.28.841

HDE 08.11.2021

