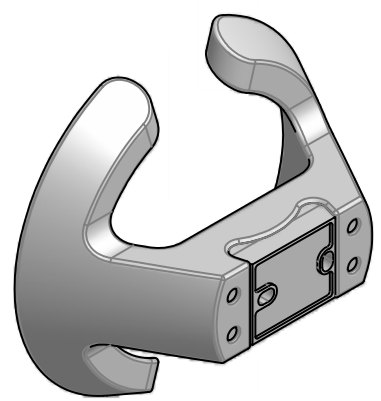
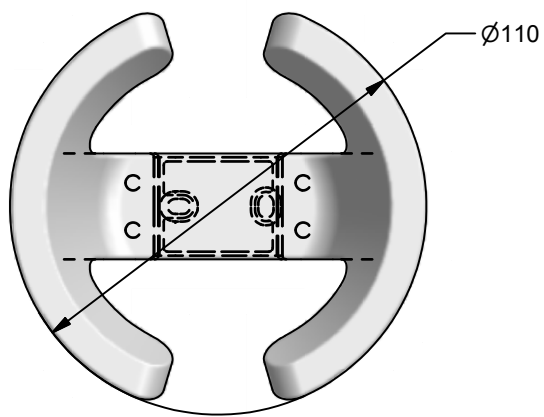
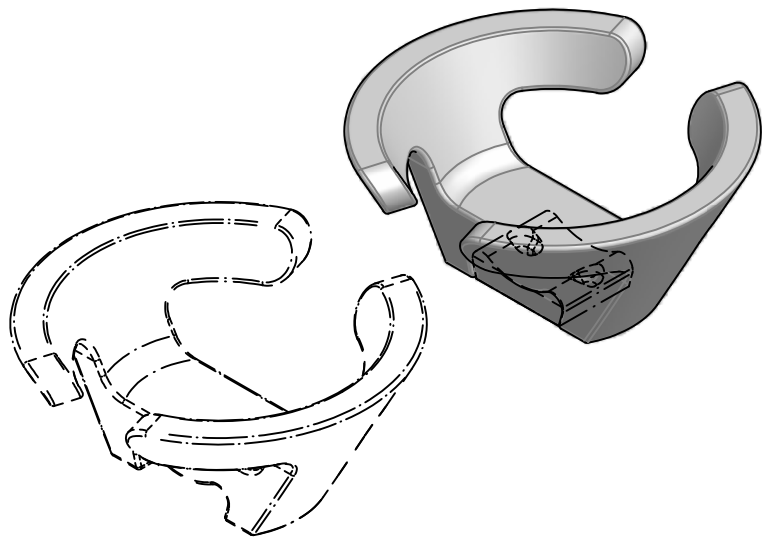
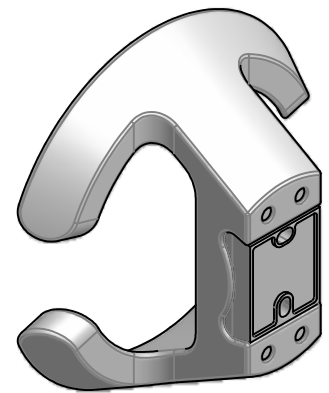
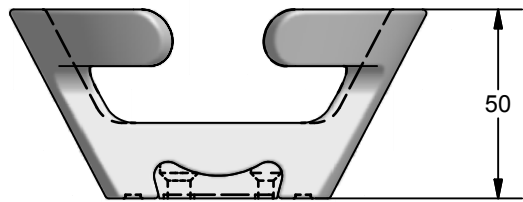
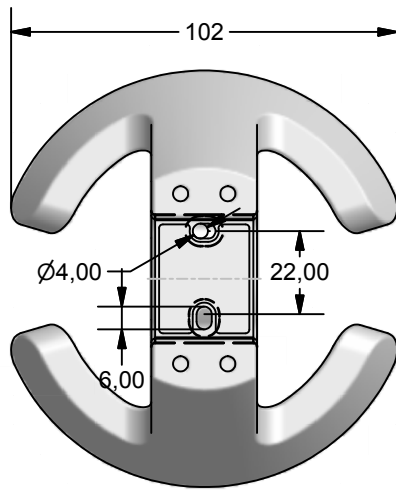


ARTICLE NUMBER	FINISH
843.65.600	Matt Nickel
843.65.900	Matt Aluminum



STATUS
05
843.65.X00

Coat Hook	DATE: 6/12/2009	SPECIFICATION ISO 2768-m
	SCALE:	MAT: Zinc Die-cast
	DRAWN BY: NPG	FINISH: See chart
	PUM APPROVAL JR	CUSTOMER APPROVAL

RevNo	Project # or Change request #	Date	Signature	Checked
000	Prj.#.165.999.2158	06.15.09	NPG	JR

NOTICE
THIS DRAWING AND ALL INFORMATION THEREON IS THE PROPERTY OF:
HÄFELE
THIS DRAWING AND INFORMATION THEREON IS CONFIDENTIAL. MUST NOT
MADE PUBLIC, COPIED OR USED TO DISADVANTAGE OF SAID HÄFELE
AMERICA CO. IT IS SUBJECT TO RETURN ON DEMAND.
2008 HAFELE AMERICA, CO.