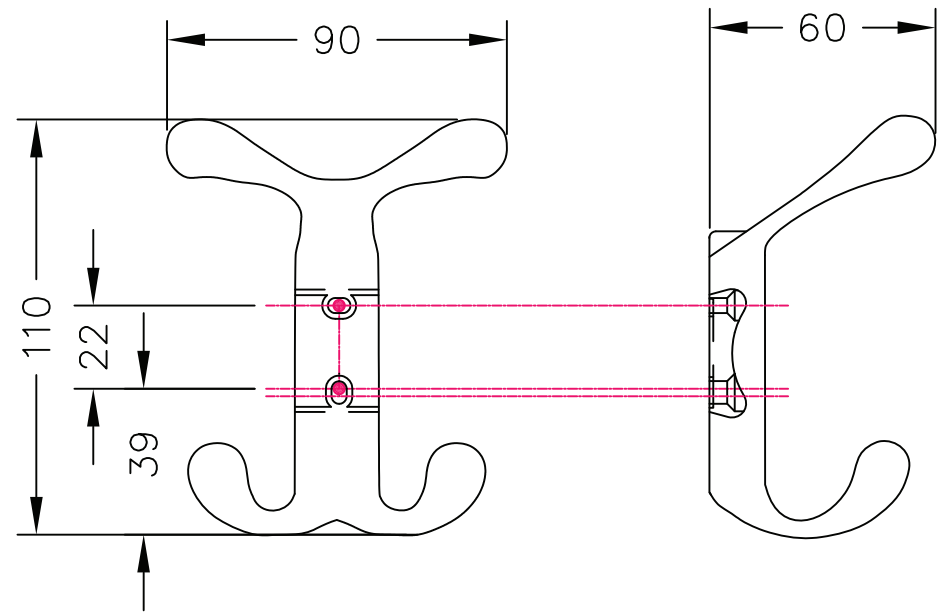





Item Number	FINISH
843.81.200	Polish Chrome
843.81.600	Satin Nickel
843.81.900	Matt Aluminum



STATUS
05
843.81.X00

Coat Hook

RevNo	Project # or change Request #	Date	Signature	Checked

NOTICE
 THIS DRAWING AND ALL INFORMATION THEREON IS THE PROPERTY OF:

 THIS DRAWING AND INFORMATION THEREON IS CONFIDENTIAL. MUST NOT MADE PUBLIC, COPIED OR USED TO DISADVANTAGE OF SAID HÄFELE AMERICA CO. IT IS SUBJECT TO RETURN ON DEMAND.
 2007 HÄFELE AMERICA, CO.

DATE: 06.29.09	SPECIFICATION: ISO 2768-m
SCALE:	MAT'L: Zinc die-cast
DRAWN BY: NPG	FINISH: See chart
PUM APPROVAL: MT	CUSTOMER APPROVAL