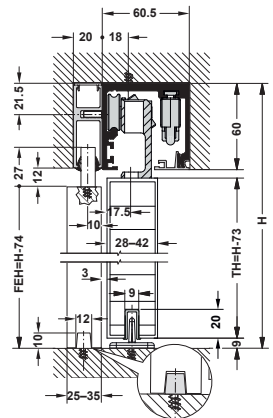
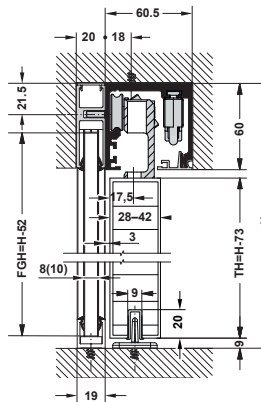
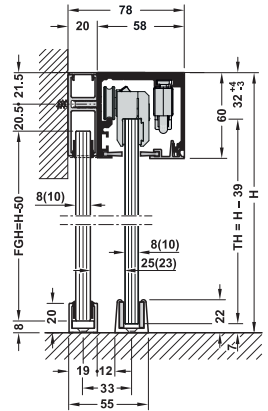
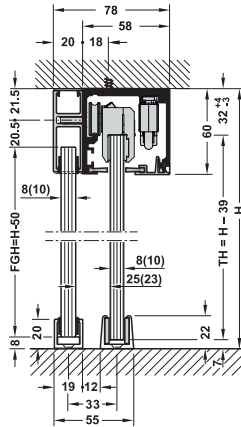
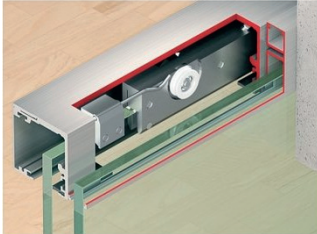




Slido D-Line12

940.67.120 940.67.121 940.67.123
940.67.130 940.67.131 940.67.132

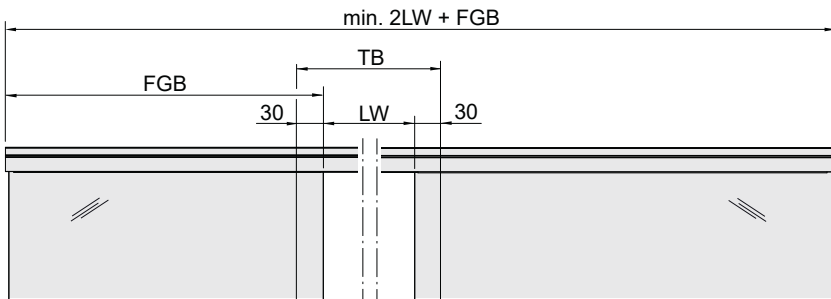
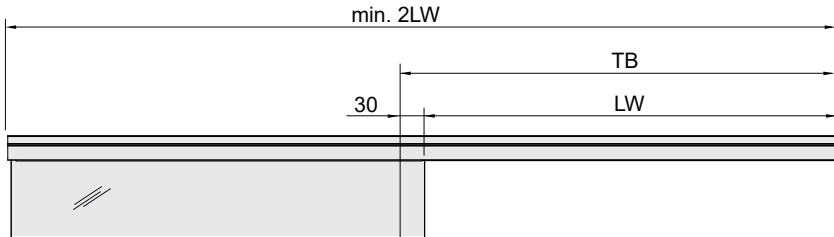
i



732.29.718

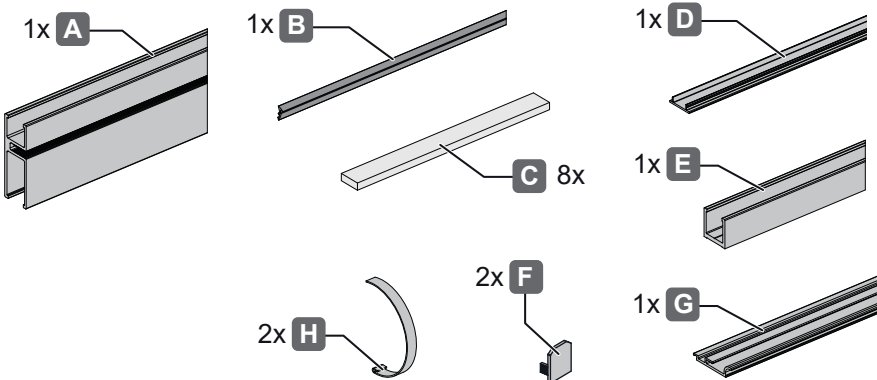
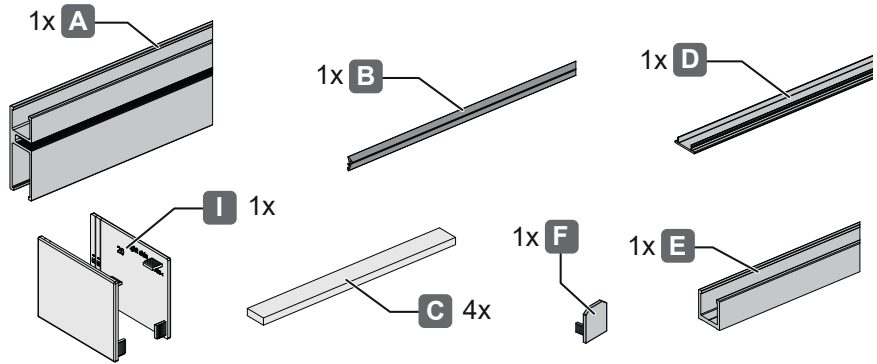
HDE 15.02.2023

i



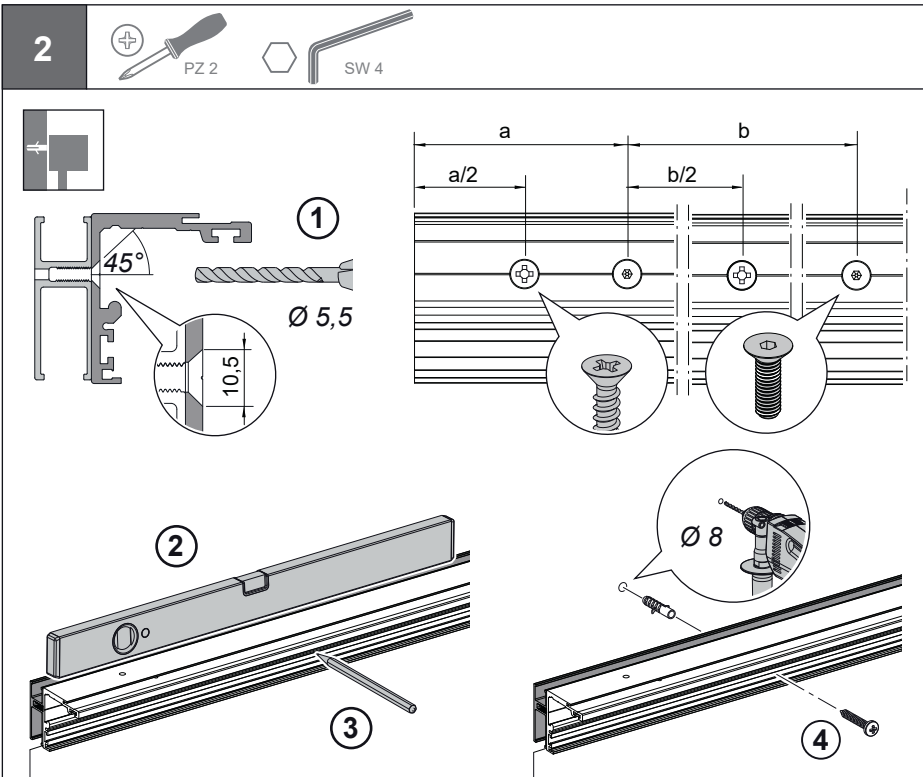
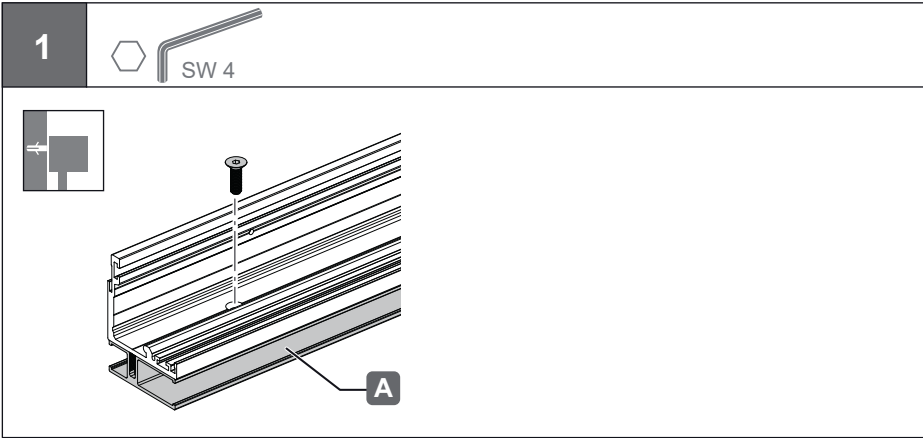
732.29.718

HDE 15.02.2023

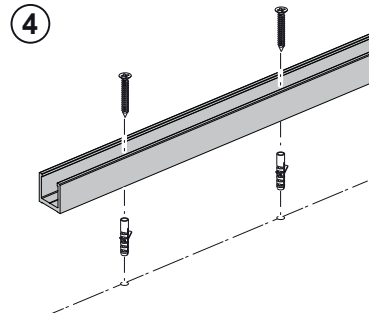
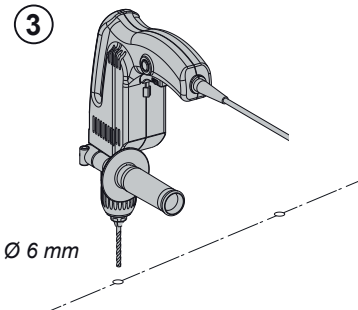
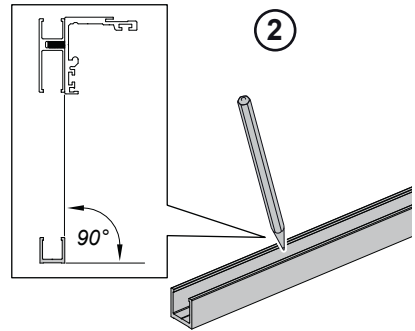
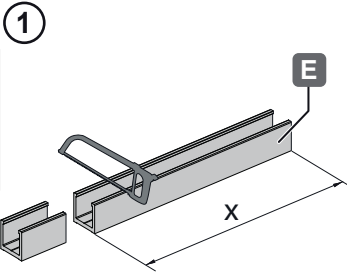
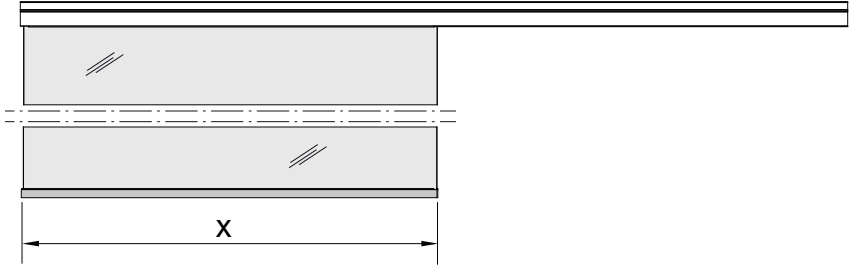


732.29.718

HDE 15.02.2023



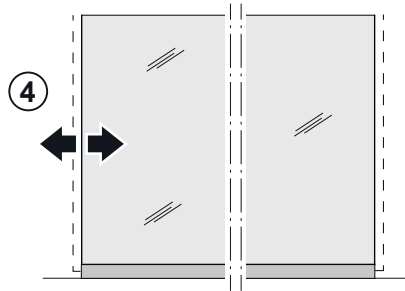
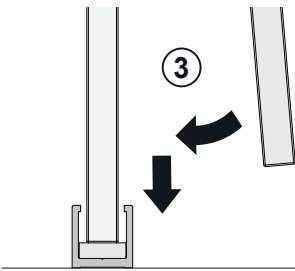
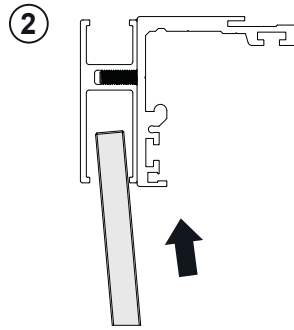
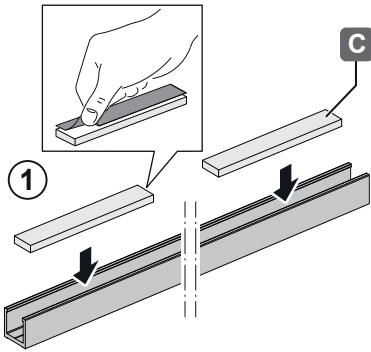
3



732.29.718

HDE 15.02.2023

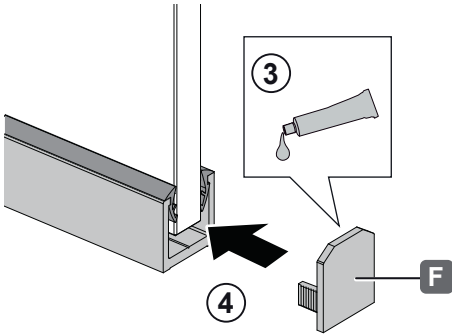
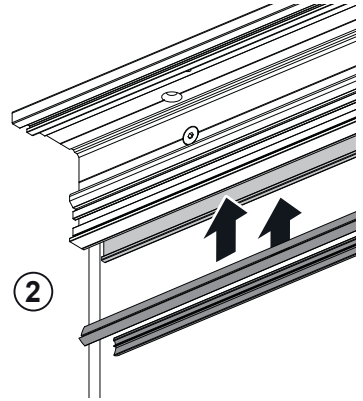
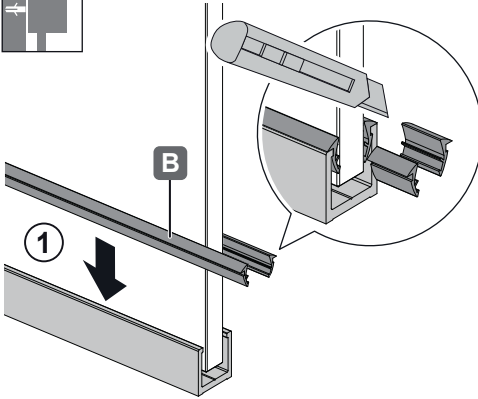
4



732.29.718

HDE 15.02.2023

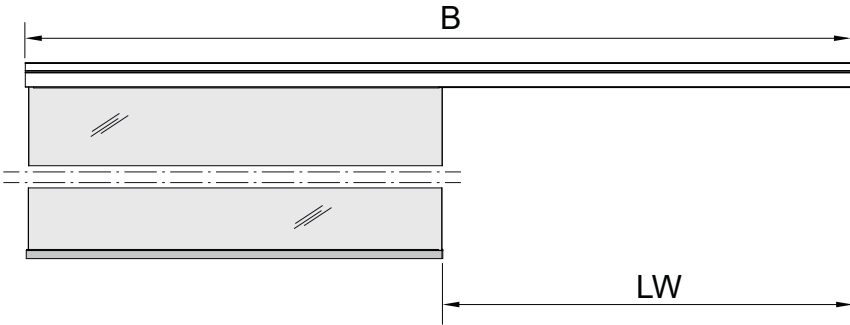
5



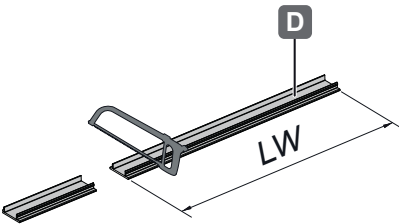
732.29.718

HDE 15.02.2023

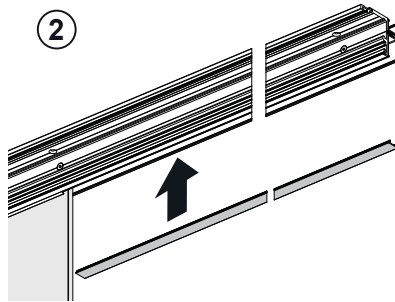
6



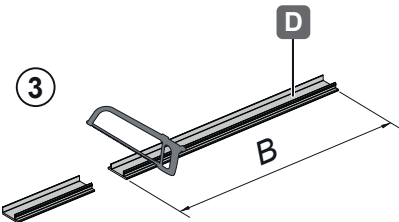
①



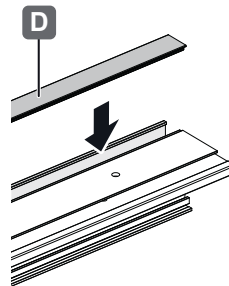
②



③



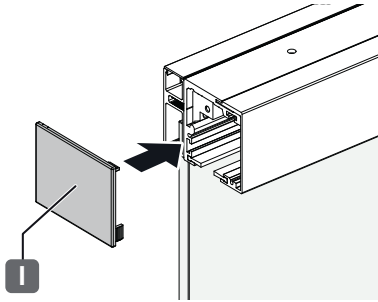
④



732.29.718

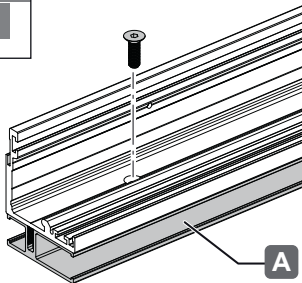
HDE 15.02.2023

7



732.29.718

1



HDE 15.02.2023

2



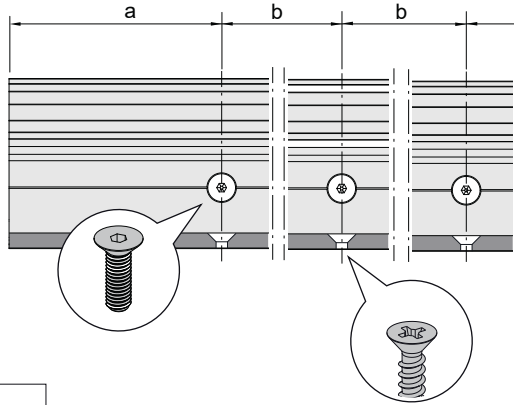
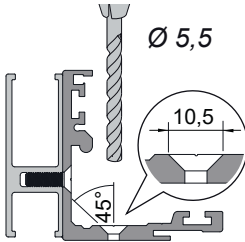
PZ 2



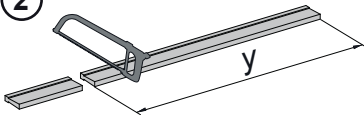
SW 4



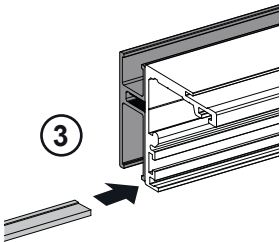
1



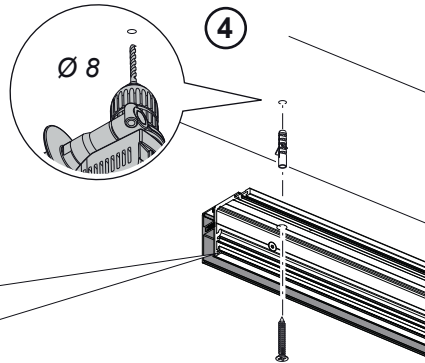
2



3



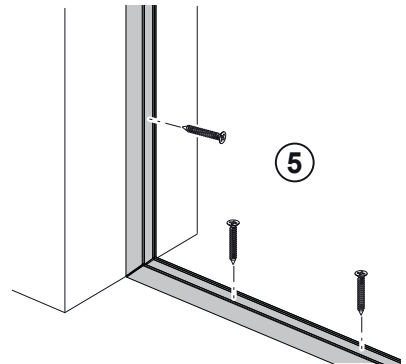
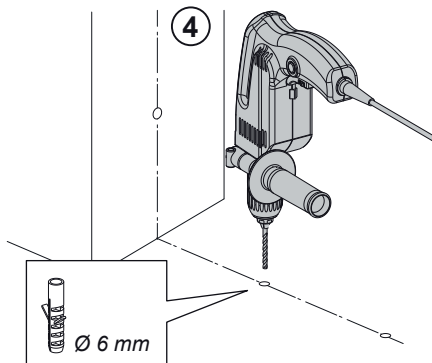
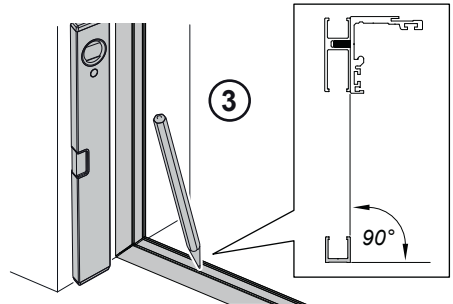
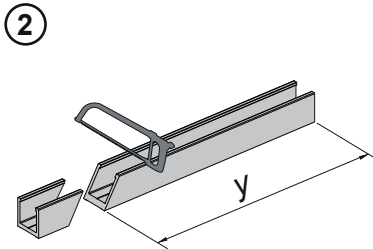
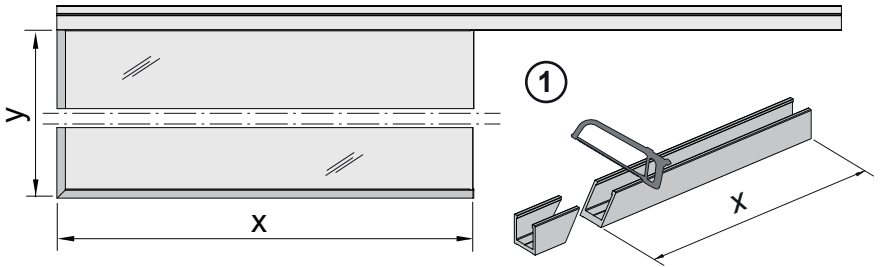
4



732.29.718

HDE 15.02.2023

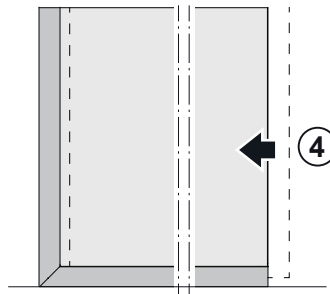
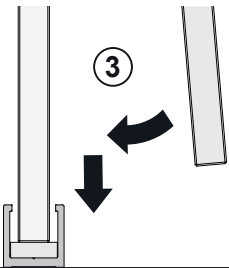
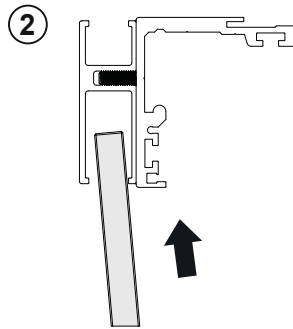
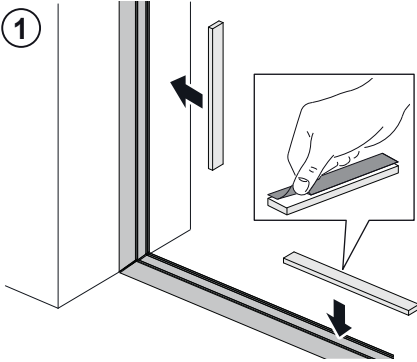
3



732.29.718

HDE 15.02.2023

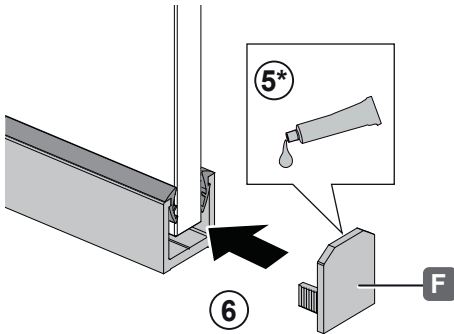
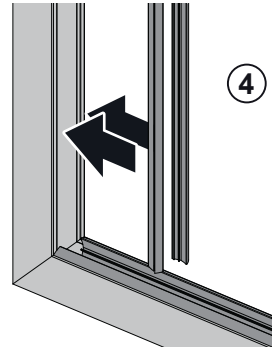
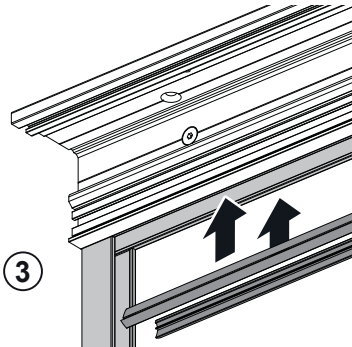
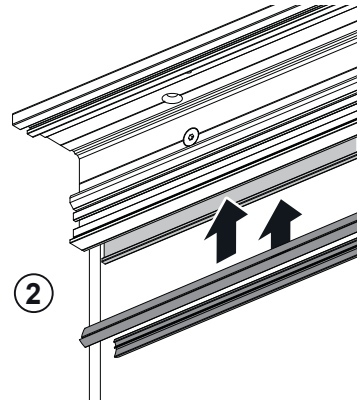
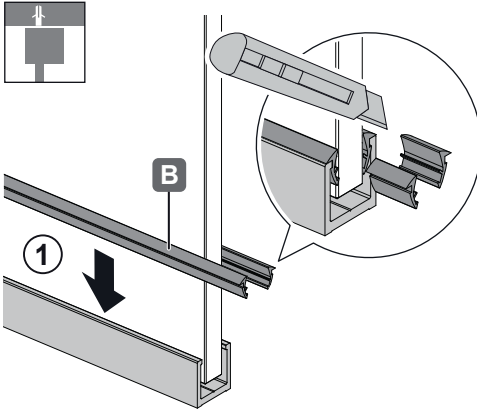
4



732.29.718

HDE 15.02.2023

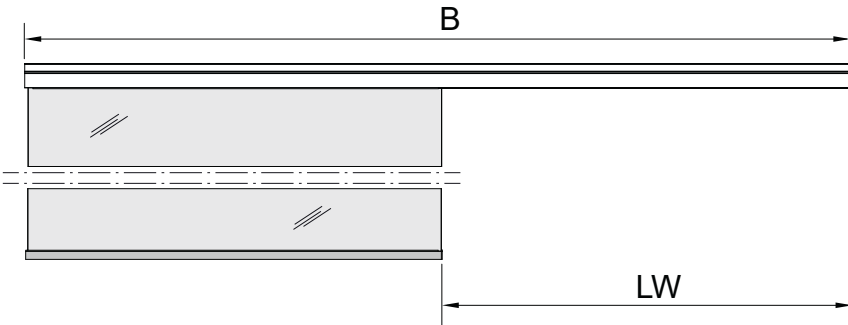
5



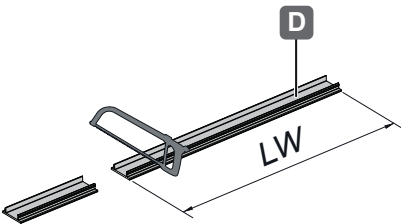
732.29.718

HDE 15.02.2023

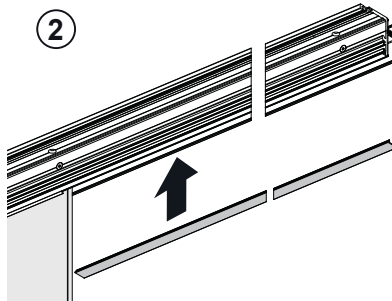
6



①



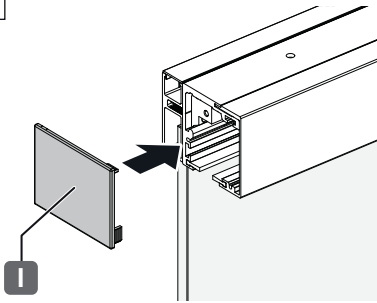
②



732.29.718

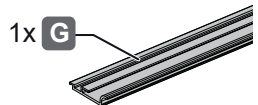
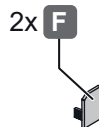
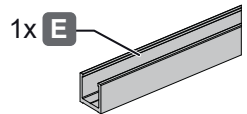
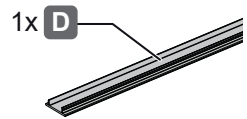
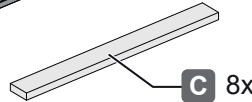
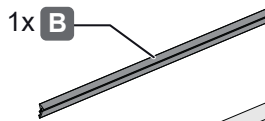
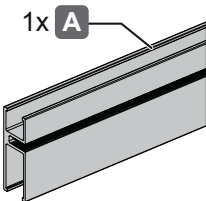
HDE 15.02.2023

7



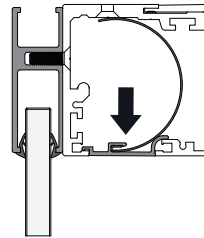
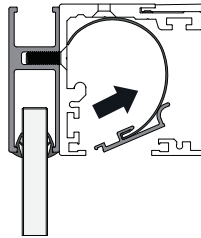
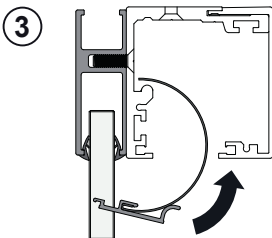
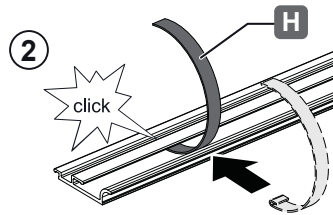
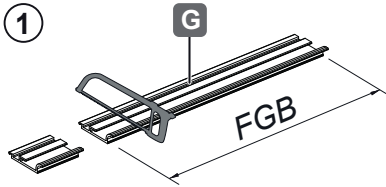
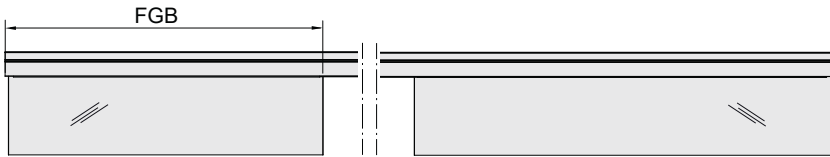
732.29.718

+



HDE 15.02.2023

8



732.29.718

HDE 15.02.2023