

# Mounting Instructions



## STAR – Double Column Side-Mounted System

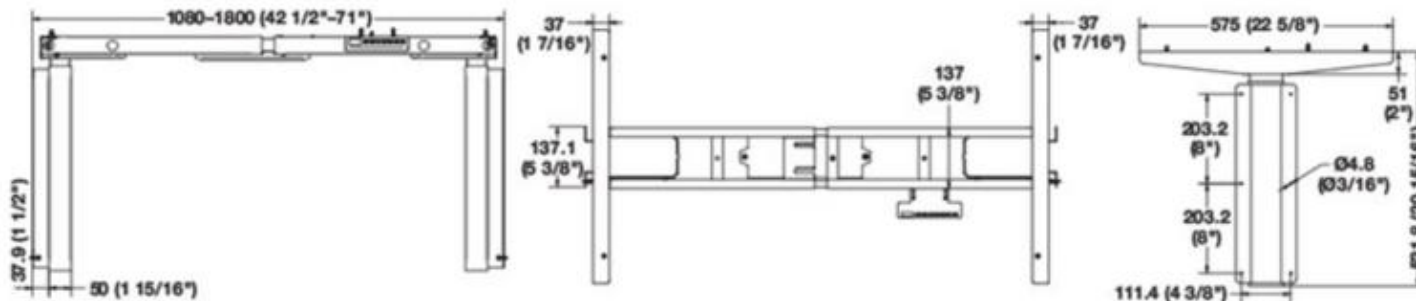
SH 02/2024



- Adjustable columns with welded on mounting brackets, are designed to be screw/bolt-mounted between side panels
- With adjustable width support beam, adjustment range 42 ½" – 71"
- With 3-stage adjustable columns, adjustment range 20 7/8" – 47 1/8"
- With 4-setting programmable switch
- Weight capacity: 280 lbs. including work surface
- Recommended for: Top widths 48" – 76"  
Top Depths: 24" – 30"

### Set Includes:

- 2 Adjustable columns with welded-on brackets
- Top supports and adjustable support beam
- Programmable switch
- Control box, wiring and assembly hardware



# Mounting Instructions



- **This System is designed to be mounted between two side panels.**
- **End user is responsible to ensure the side bases are securely fastened, through bolts are recommended.**
- **Weight capacity is 280 lbs. including work surface.**

## **WARNING**

Read all instructions and review all illustrations before installing. Failure to observe these warnings could result in a fire or electrical shock. Use two or more people when moving products or severe personal injury may result. Ensure there are no obstacles in unit's path and that it is clear of walls during movement. Cords must be appropriate length to accommodate change in height. Keep children away from height adjustable base. Keep electrical components away from liquids. Do not sit or stand on base or worksurface. Do not open any components. Designed for a 10% duty cycle, two minutes on and eighteen minutes off. In the event of a power outage, or if the power cord is unplugged, a reset is required. See back page for reset instructions.



### **Before operating, please initialize the table.**

1. Hold the "down" button until base reaches its lowest position.
2. Release the "down" button
3. Hold "down" button again until the display states "RST"
4. Release the "down" button
5. Hold "down" button again until the base lowers and then raises slightly
6. Release the "down" button. The base is now ready to be used.

### **BE CAREFUL WHEN ADJUSTING DESK HEIGHT**

Body parts and property can be caught between the moving work surface and an immobile obstacle (such as shelves, furniture, window sills, or walls). Keep at least one inch of clearance around desk and make sure nothing is in table's path for its entire range of motion.

#### **Before raising or lowering:**

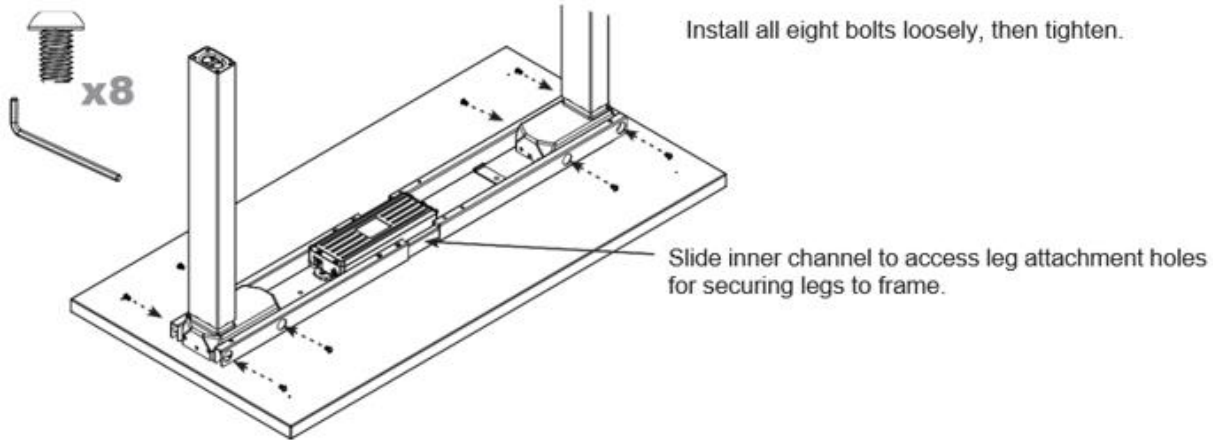
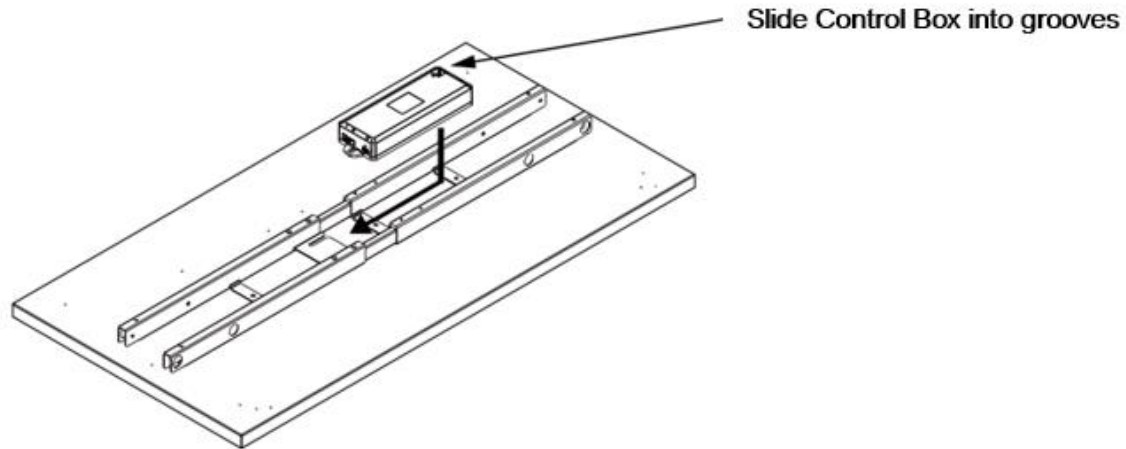
- Check surroundings on all sides of desk are clear
- Make sure corded objects will not be pulled off table or cause other objects to fall
- Make sure desk power cord moves freely as desk moves up and down



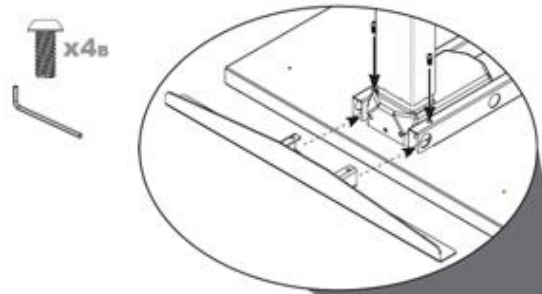
# Mounting Instructions



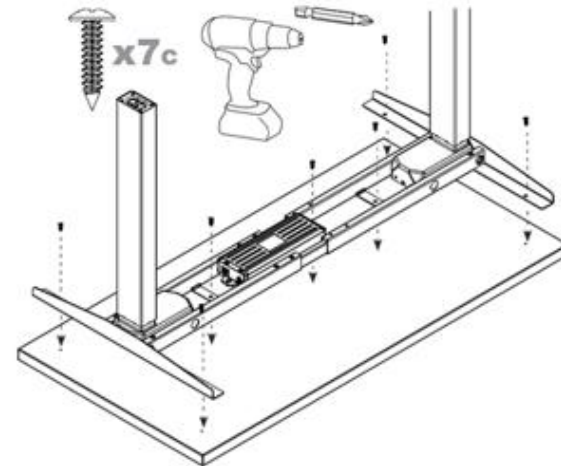
Fastener A    Fastener B    Fastener C    Fastener D



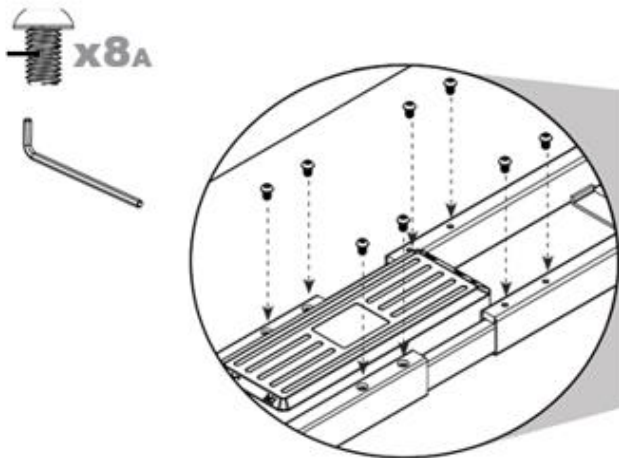
# Mounting Instructions



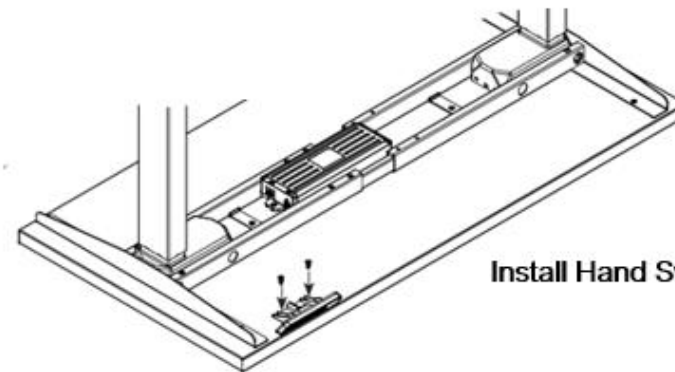
Slide Top Brackets into sides of frame



Center Frame over work surface and secure



Secure position of Support Beam

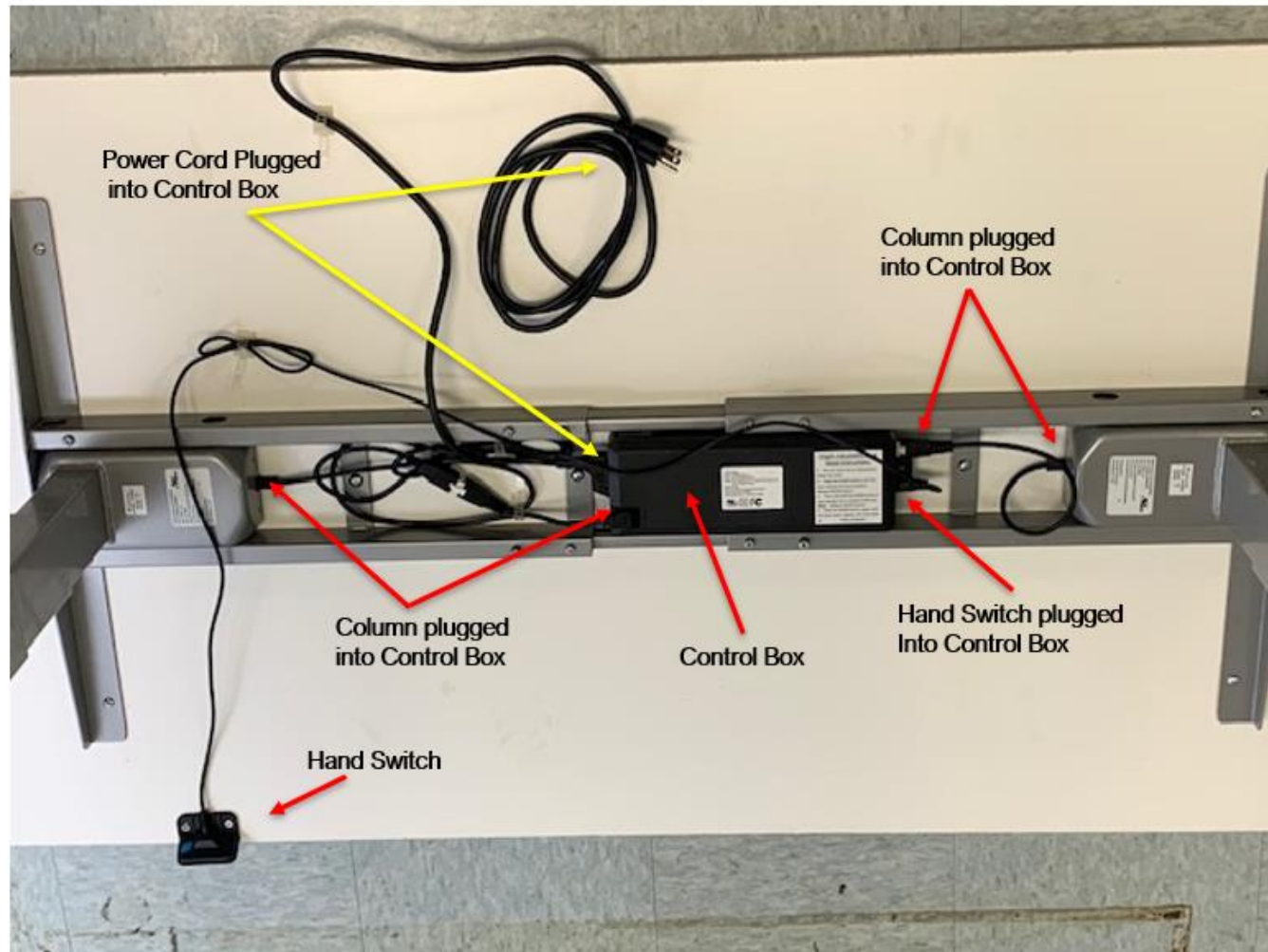


Install Hand Switch

## Wiring:

1. Plug leads from Side Columns into the Control Box
2. Plug in the Switch
3. Plug in Power Cord.

HÄFELE



# Mounting Instructions

---



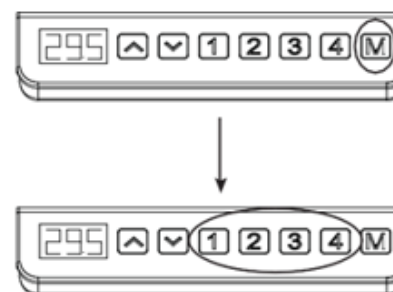
## Table is now ready to be Initialized:

1. Hold the “down” button until base reaches its lowest position.
2. Release the “down” button
3. Hold “down” button again until the display states “RST”
4. Release the “down” button
5. Hold “down” button again until the base lowers and then raises slightly
6. Release the “down” button. The base is now ready to be used.



## Setting Memory Presets:

1. Adjust base to the desired height
2. Press “M” followed by the desired preset number
3. The selected preset number is now set to that height



# Mounting Instructions



## Setting Upper Travel Limit:

1. Adjust base to the desired maximum height
2. Hold down the "M" button until "S" is displayed, then release the "M" button
3. Press the "UP" button, then release. Then hold the "M" button until display flashes "999" then changes to display the height. The Max. height is now set



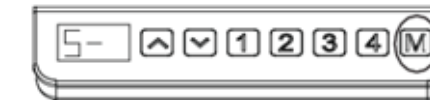
## Setting Lower Travel Limit:

1. Adjust base to the desired minimum height
2. Hold down the "M" button until "S" is displayed, then release the "M" button
3. Press the "DOWN" button, then release. Then hold the "M" button until display flashes "000" then changes to display the height. The Min. height is now set.



## Removing the Upper and Lower Limits:

1. Hold down the "M" button until "S" is displayed, then release the "M" button
2. Within 5 seconds, hold down the "M" button again for 2 seconds
3. The display will flash "555" then change to display the height.
4. The Upper and Lower limits are now removed.



# Mounting Instructions

---



## Locking the Control Switch:

1. Hold the “M” button until the display switched from “S” to “LOC”
2. The Control is now locked



## Unlocking the Control Switch:

1. Hold the “M” button until the display switched from “LOC” to the height display
2. The Control is now unlocked



---

## General Troubleshooting

The first step when table is malfunctioning is to Reinitialize/Reset the table

1. Unplug table from the power supply and re-plug.
2. Hold the “down” button until base reaches its lowest position.
3. Release the “down” button
4. Hold “down” button again until the display states “RST”
5. Release the “down” button
6. Hold “down” button again until the base lowers and then raises slightly
7. Release the “down” button. The base is now ready to be used.



- If the display states “HOT”, let base cool down for 20 minutes before use
- If the display indicates an error message (“ER1 – “ER13”) see supplemental Troubleshooting Guide