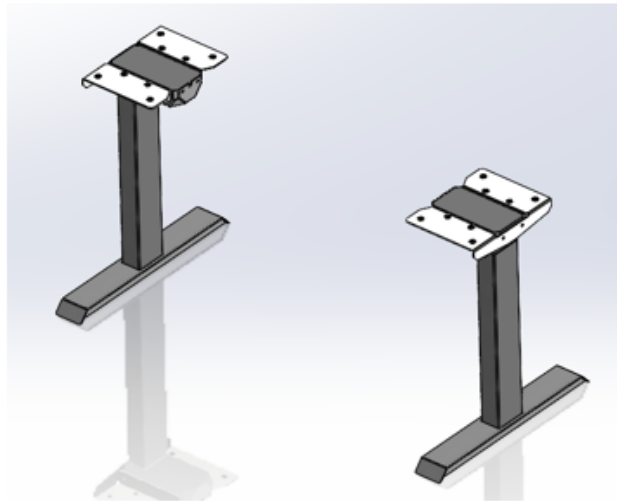


Mounting Instructions



STAR – 2-Leg Adjustable Table System

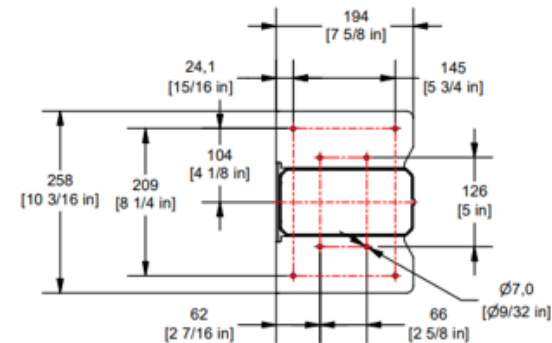
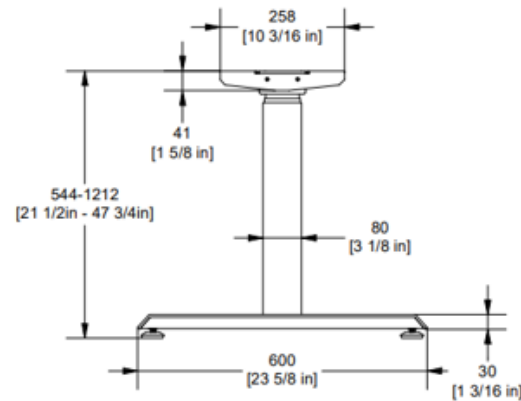
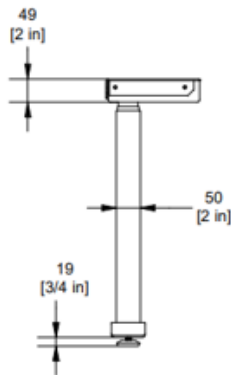
SH 03.27.24



- Adjustable columns with Feet and Top Supports
- With 3-stage adjustable columns, adjustment range 21 3/4" – 47 1/4"
- With 4-setting programmable switch
- Weight capacity: 280 lbs. including work surface
- Recommended for: Top widths 48" – 76"
Top Depths: 24" – 30"
- Available: Black, Silver, White

Set Includes:

- 2 Adjustable columns
- 2 Top Support Plates
- 2 Feet
- Programmable switch
- Control box, wiring and assembly hardware



Top Plate Detail

Mounting Instructions



WARNING

Read all instructions and review all illustrations before installing. Failure to observe these warnings could result in a fire or electrical shock. Use two or more people when moving products or severe personal injury may result. Ensure there are no obstacles in unit's path and that it is clear of walls during movement. Cords must be appropriate length to accommodate change in height. Keep children away from height adjustable base. Keep electrical components away from liquids. Do not sit or stand on base or worksurface. Do not open any components. Designed for a 10% duty cycle, two minutes on and eighteen minutes off. In the event of a power outage, or if the power cord is unplugged, a reset is required. See back page for reset instructions.



Before operating, please initialize the table.

1. Hold the "down" button until base reaches its lowest position.
2. Release the "down" button
3. Hold "down" button again until the display states "RST"
4. Release the "down" button
5. Hold "down" button again until the base lowers and then raises slightly
6. Release the "down" button. The base is now ready to be used.

BE CAREFUL WHEN ADJUSTING DESK HEIGHT

Body parts and property can be caught between the moving work surface and an immobile obstacle (such as shelves, furniture, window sills, or walls). Keep at least one inch of clearance around desk and make sure nothing is in table's path for its entire range of motion.

Before raising or lowering:

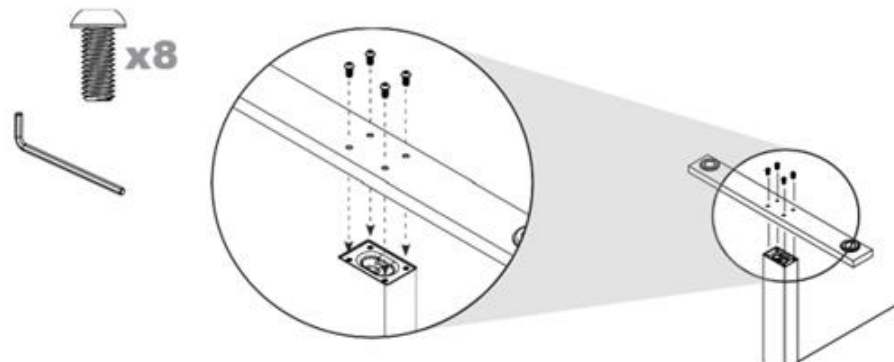
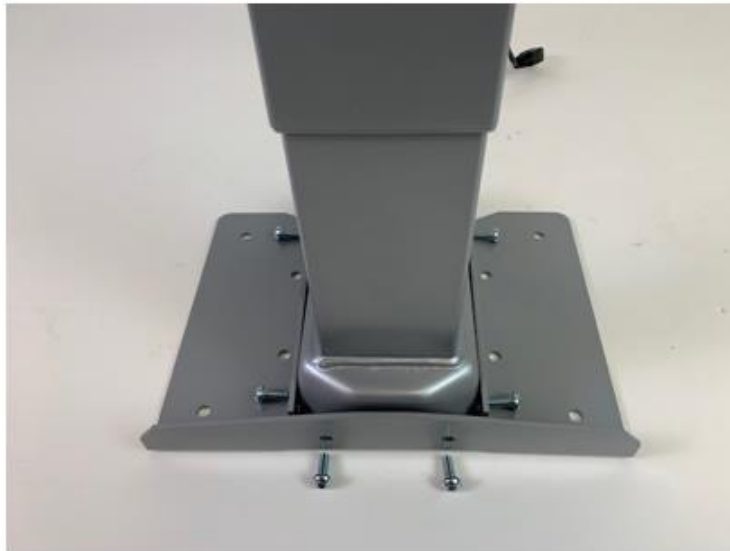
- Check surroundings on all sides of desk are clear
- Make sure corded objects will not be pulled off table or cause other objects to fall
- Make sure desk power cord moves freely as desk moves up and down



Mounting Instructions

Simple Assembly:

- Attach the Top Plates using M6 Bolts
- Attach the Feet using the M6 Bolts



Mounting Instructions

Simple Assembly:

- Mount Columns under tabletop at desired location using wood screws
- Secure the Control Box to underside of top using wood screws
- Plug Components into the Control Box, see right
- Attach the switch under top at desired location
- Use wire clips to manage the cables



Plug one Column into Port M1 on the top



Plug the other Column Into Port M2
- HS Port is for the Switch
- F Port is not used

Mounting Instructions



1. Plug leads from Side Columns into the Control Box
2. Plug in the Switch
3. Plug in Power Cord.

Table is now ready to be Initialized:

1. Hold the “down” button until base reaches its lowest position.
2. Release the “down” button
3. Hold “down” button again until the display states “RST”
4. Release the “down” button
5. Hold “down” button again until the base lowers and then raises slightly
6. Release the “down” button. The base is now ready to be used.



Setting Memory Presets:

1. Adjust base to the desired height
2. Press “M” followed by the desired preset number
3. The selected preset number is now set to that height



Mounting Instructions

Setting Upper Travel Limit:

1. Adjust base to the desired maximum height
2. Hold down the "M" button until "S" is displayed, then release the "M" button
3. Press the "UP" button, then release. Then hold the "M" button until display flashes "999" then changes to display the height. The Max. height is now set



Setting Lower Travel Limit:

1. Adjust base to the desired minimum height
2. Hold down the "M" button until "S" is displayed, then release the "M" button
3. Press the "DOWN" button, then release. Then hold the "M" button until display flashes "000" then changes to display the height. The Min. height is now set.



Removing the Upper and Lower Limits:

1. Hold down the "M" button until "S" is displayed, then release the "M" button
2. Within 5 seconds, hold down the "M" button again for 2 seconds
3. The display will flash "555" then change to display the height.
4. The Upper and Lower limits are now removed.



Mounting Instructions



Locking the Control Switch:

1. Hold the “M” button until the display switched from “S” to “LOC”
2. The Control is now locked



Unlocking the Control Switch:

1. Hold the “M” button until the display switched from “LOC” to the height display
2. The Control is now unlocked



General Troubleshooting

The first step when table is malfunctioning is to Reinitialize/Reset the table

1. Unplug table from the power supply and re-plug.
2. Hold the “down” button until base reaches its lowest position.
3. Release the “down” button
4. Hold “down” button again until the display states “RST”
5. Release the “down” button
6. Hold “down” button again until the base lowers and then raises slightly
7. Release the “down” button. The base is now ready to be used.



- Be sure the Control Box is securely mounted under the top, horizontal to the floor (not side mounted).
- If the display states “HOT”, let base cool down for 20 minutes before use
- If the display indicates an error message (“ER1 – “ER13”) see supplemental Troubleshooting Guide