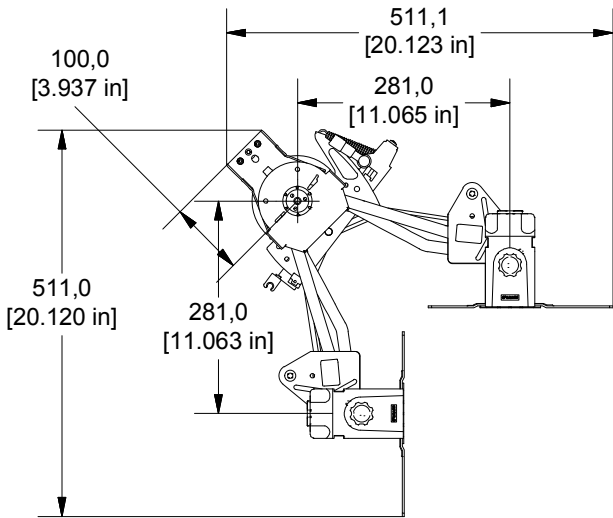
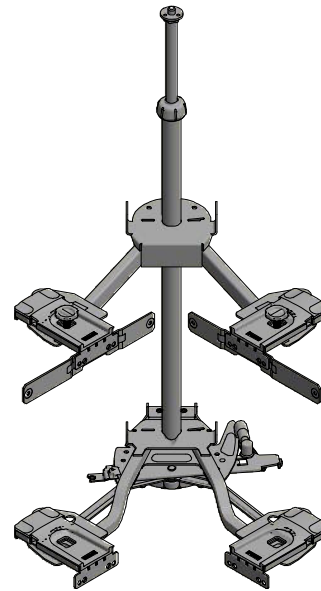
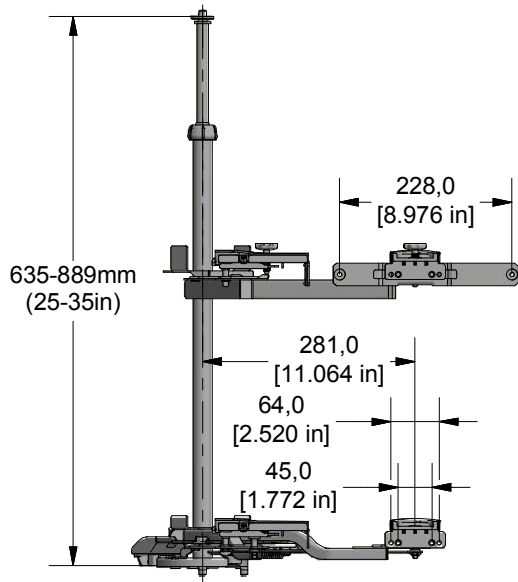
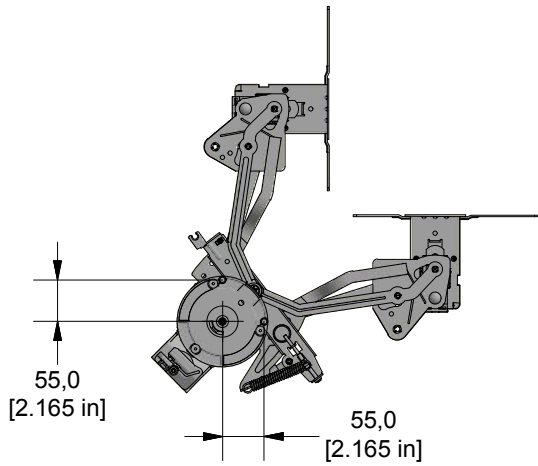


ARTICLE NUMBER	FINISH
541.39.420	Champagne
541.39.720	White



STATUS
05

Suzie -Q Face frame inset	541.39.X20
---------------------------	------------

NOTICE  
THIS DRAWING AND ALL INFORMATION THEREON IS THE PROPERTY OF:  
**HÄFELE**  
THIS DRAWING AND INFORMATION THEREON IS CONFIDENTIAL. MUST NOT  
MADE PUBLIC, COPIED OR USED TO DISADVANTAGE OF SAID HÄFELE  
AMERICA CO. IT IS SUBJECT TO RETURN ON DEMAND.  
2013 HÄFELE AMERICA, CO.

DATE:	10/29/2014
SCALE:	
DRAWN BY:	NPG
PUM APPROVAL	DT

SPECIFICATION	ISO 2768-m
MAT'L	Steel
FINISH:	See table
CUSTOMER APPROVAL	