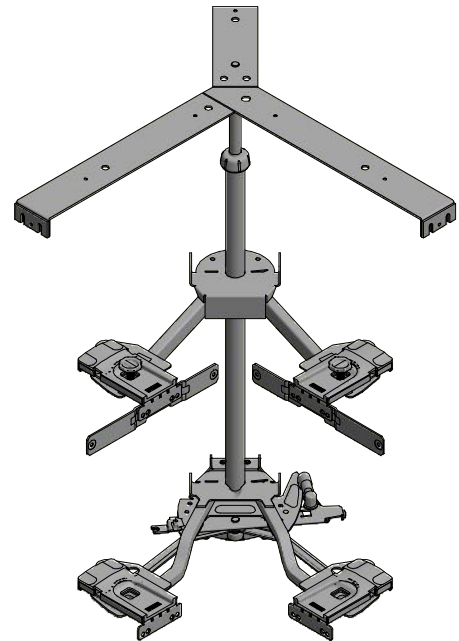
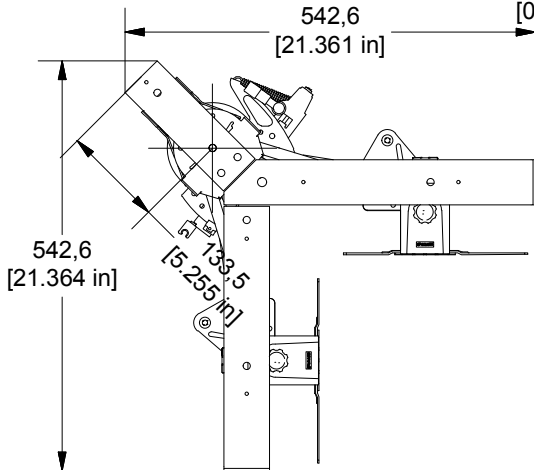
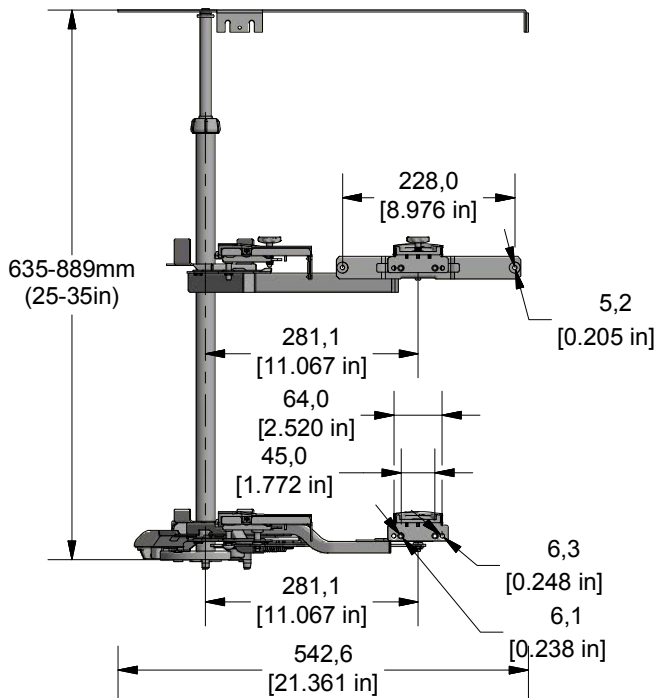
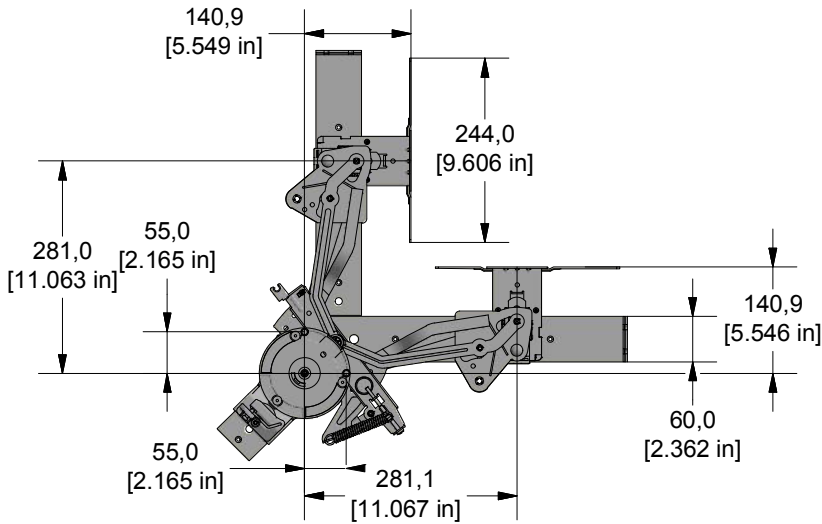


ARTICLE NUMBER	FINISH
541.39.422	Champagne
541.39.722	White



STATUS
05

Suzie -Q Frameless	541.39.X22
DATE: 10/29/2014	SPECIFICATION ISO 2768-m
SCALE:	MAT'L Steel
DRAWN BY: NPG	FINISH: See table
PUM APPROVAL DT	CUSTOMER APPROVAL

NOTICE
THIS DRAWING AND ALL INFORMATION THEREON IS THE PROPERTY OF:

HÄFELE

THIS DRAWING AND INFORMATION THEREON IS CONFIDENTIAL. MUST NOT BE MADE PUBLIC, COPIED OR USED TO DISADVANTAGE OF SAID HÄFELE AMERICA CO. IT IS SUBJECT TO RETURN ON DEMAND.

2013 HÄFELE AMERICA, CO.