

UPRIGHT TRAY
300.5507.MAL/WH

DESCRIPTION & SPECIFICATIONS

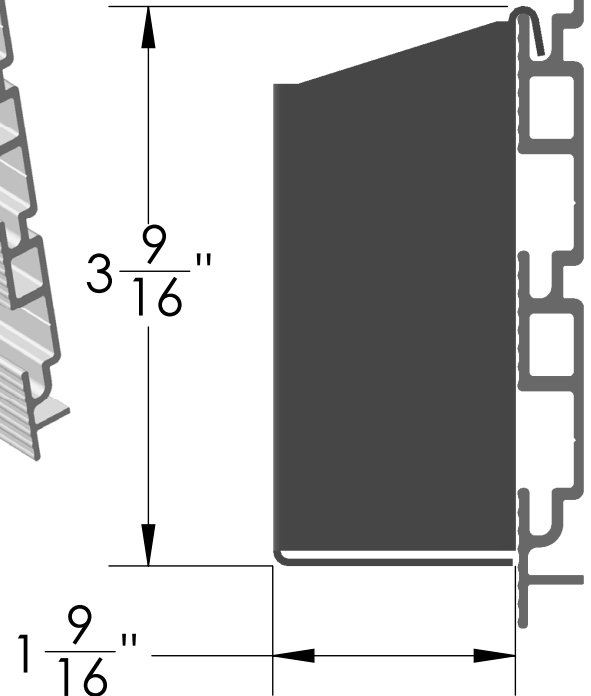
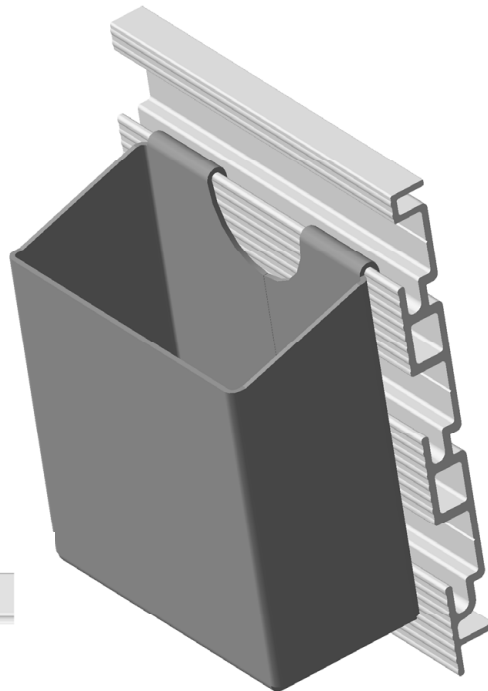
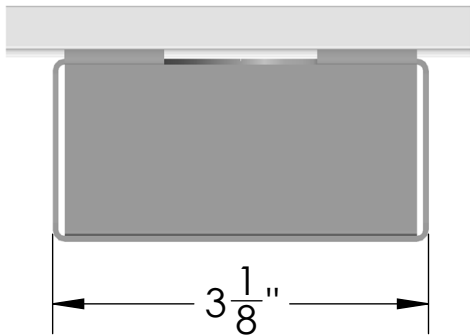
Minimize clutter and keep your rulers, highlighters and USB sticks at arms reach with the Upright Tray. The stackable design makes it easy to expand storage and sort supplies.

SIZE & CAPACITY | One Size

AVAILABLE FINISHES |



Matte Aluminum, White.



INSTRUCTIONS & SPECIFICATIONS

STEP 1: Insert the Upright Tray into the channels of Track Panel just above the desired height.

STEP 2: Drop the tray down in the track channel to mount it on the track.

STEP 3: Position horizontally by sliding left or right along the track.

- No additional hardware required to mount
- Hooks & accessories are only intended to be mounted to the track

FINISH	CODE (FIN)
MATTE ALUMINUM	MAL
WHITE	WH

SUGGESTED USES	
PENS/PENCILS	CELL PHONES
SCISSORS	MARKERS