

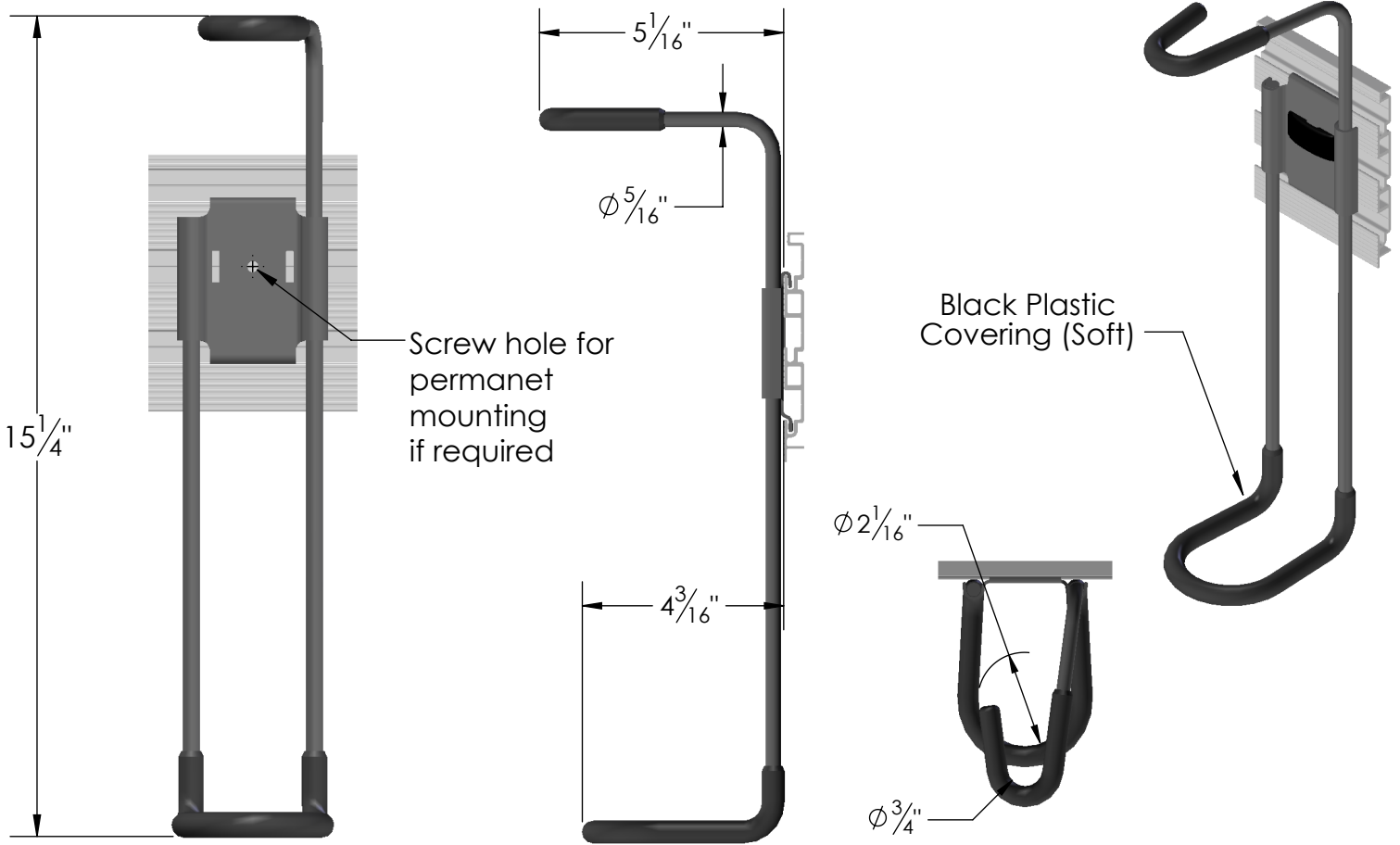
**DESCRIPTION & SPECIFICATIONS**

Perfect for storing fishing rods with reels and other similarly shaped items. Features soft plastic covers where the reel and rod rest on the holder.

SIZE & CAPACITY | Heavy Duty

AVAILABLE FINISHES | 

Matte Aluminum.



**INSTRUCTIONS & SPECIFICATIONS**

- STEP 1: Align the hook above the track panel channels at desired height.
- STEP 2: Position the hook horizontally by sliding the hook.
- STEP 3: Press the cover cap onto the hook bracket to fix position.

- One Cover Cap 300.5200 required & must be ordered separately
- Hooks & accessories are only intended to be mounted to the track

FINISH	CODE (FIN)
MATTE ALUMINUM	MAL

SUGGESTED USES	
VERTICAL ROD & REEL STORAGE	HIKING POLES