

**WIRE BASKET HOOK
300.5234.MAL**

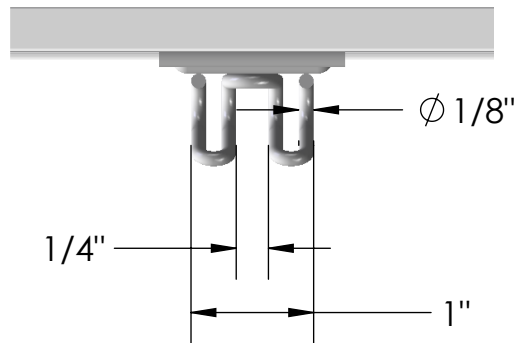
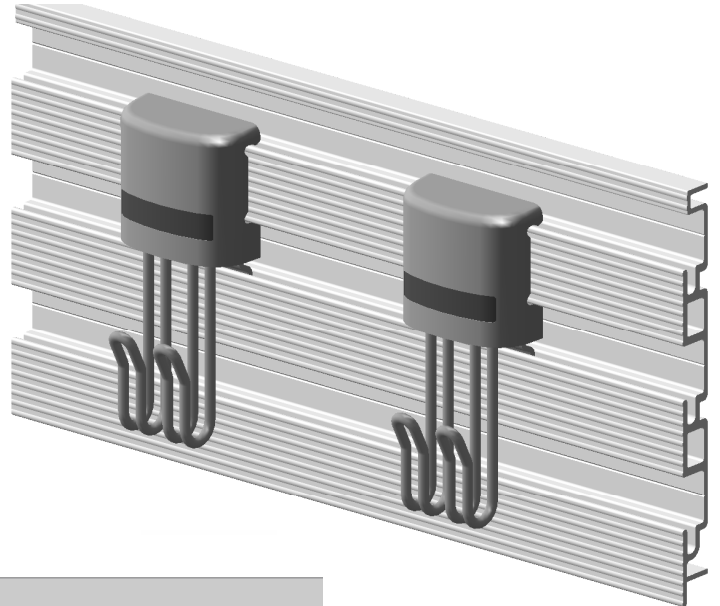
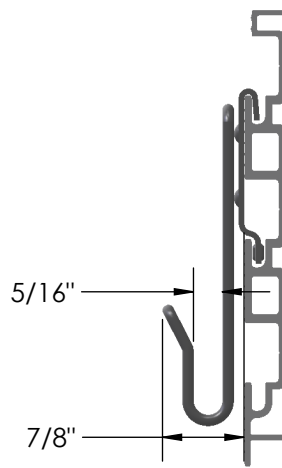
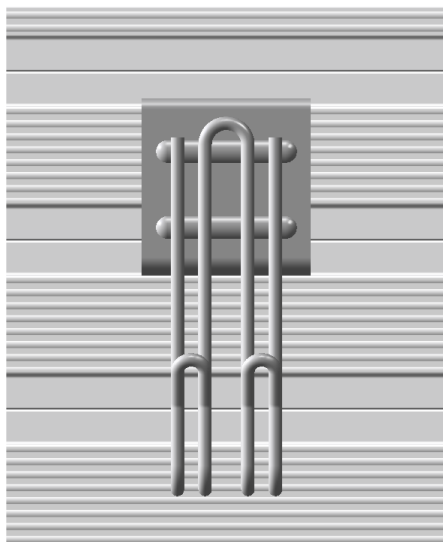
DESCRIPTION & SPECIFICATIONS

Add a wire basket where you need it with these universal Wire Basket Hooks. Space them out to hold a variety of basket widths.

SIZE & CAPACITY | Light Duty

AVAILABLE FINISHES | 

Matte Aluminum.



INSTRUCTIONS & SPECIFICATIONS

- STEP 1: Align the hooks above the track panel channels at desired height.
- STEP 2: Position the hooks horizontally by sliding them along the track.
- STEP 3: Press the cover caps onto the hook brackets to fix position.

- One Cover Cap 300.5230 required & must be ordered separately
- Hooks & accessories are only intended to be mounted to the track

| FINISH | CODE (FIN) |
|----------------|------------|
| MATTE ALUMINUM | MAL |

| SUGGESTED USES | |
|-----------------------|--|
| STANDARD WIRE BASKETS | |